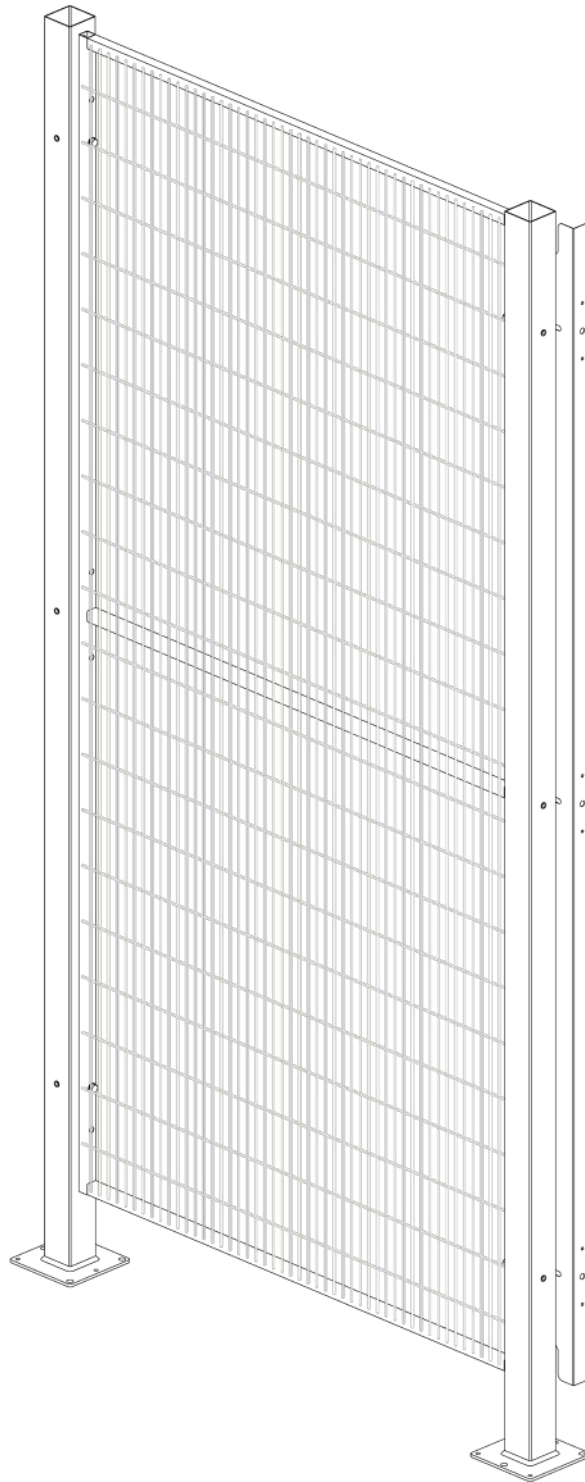


Vertical Gap-filling Plate

ASSEMBLY INSTRUCTIONS

Accessory



Vertical Gap-filling Plate

ASSEMBLY INSTRUCTIONS

220579A / 220580A / 220581A

H1640 H2240 H2640



x 1/2

ISO 4017 M8 X 16



x 3/4/6

ISO 15480 Ø 4.8 x 16



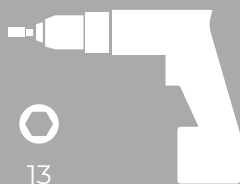
x 5/6/7/8/11

ISO 7089 Ø8



x 3/4/6

Tools



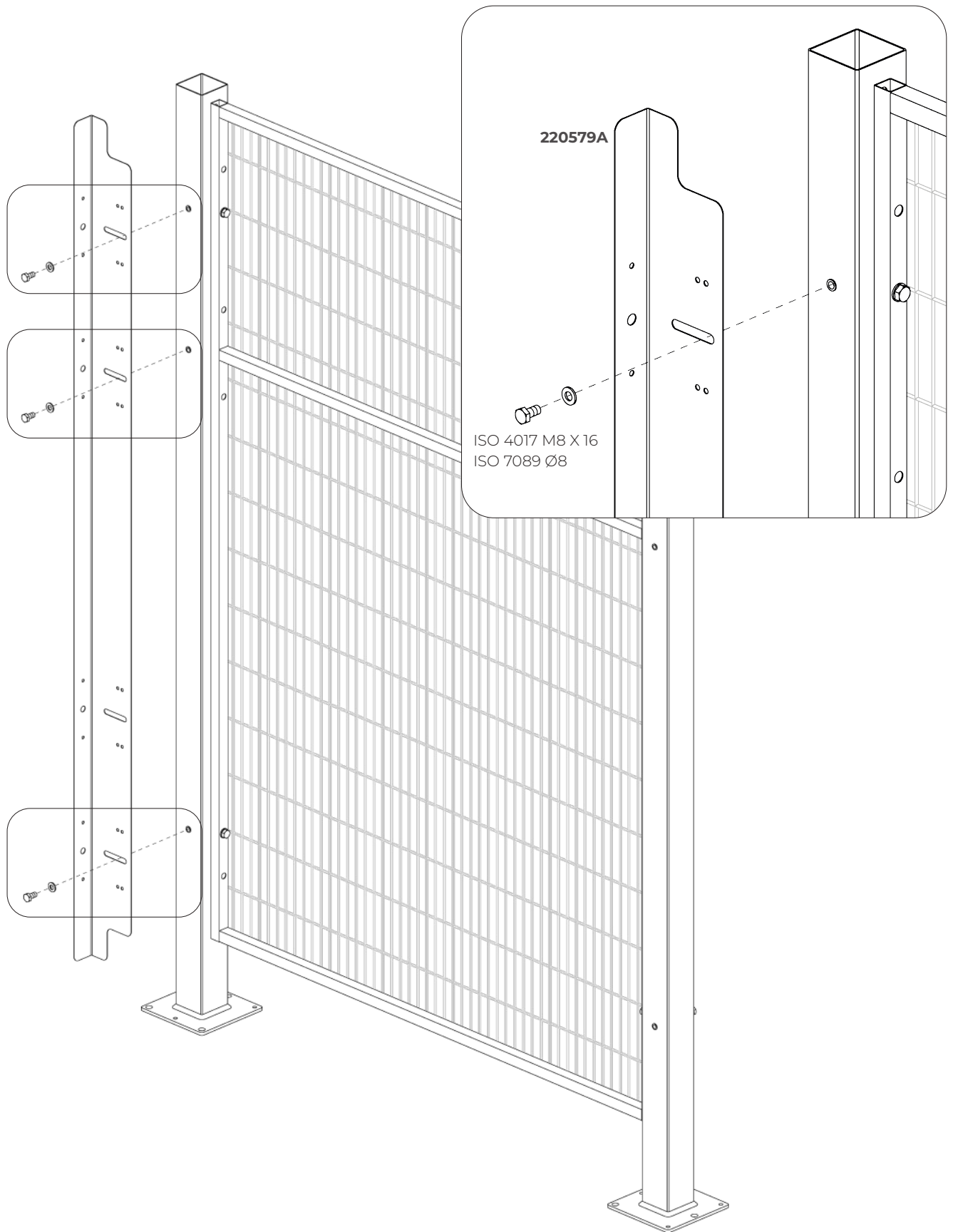
13



13

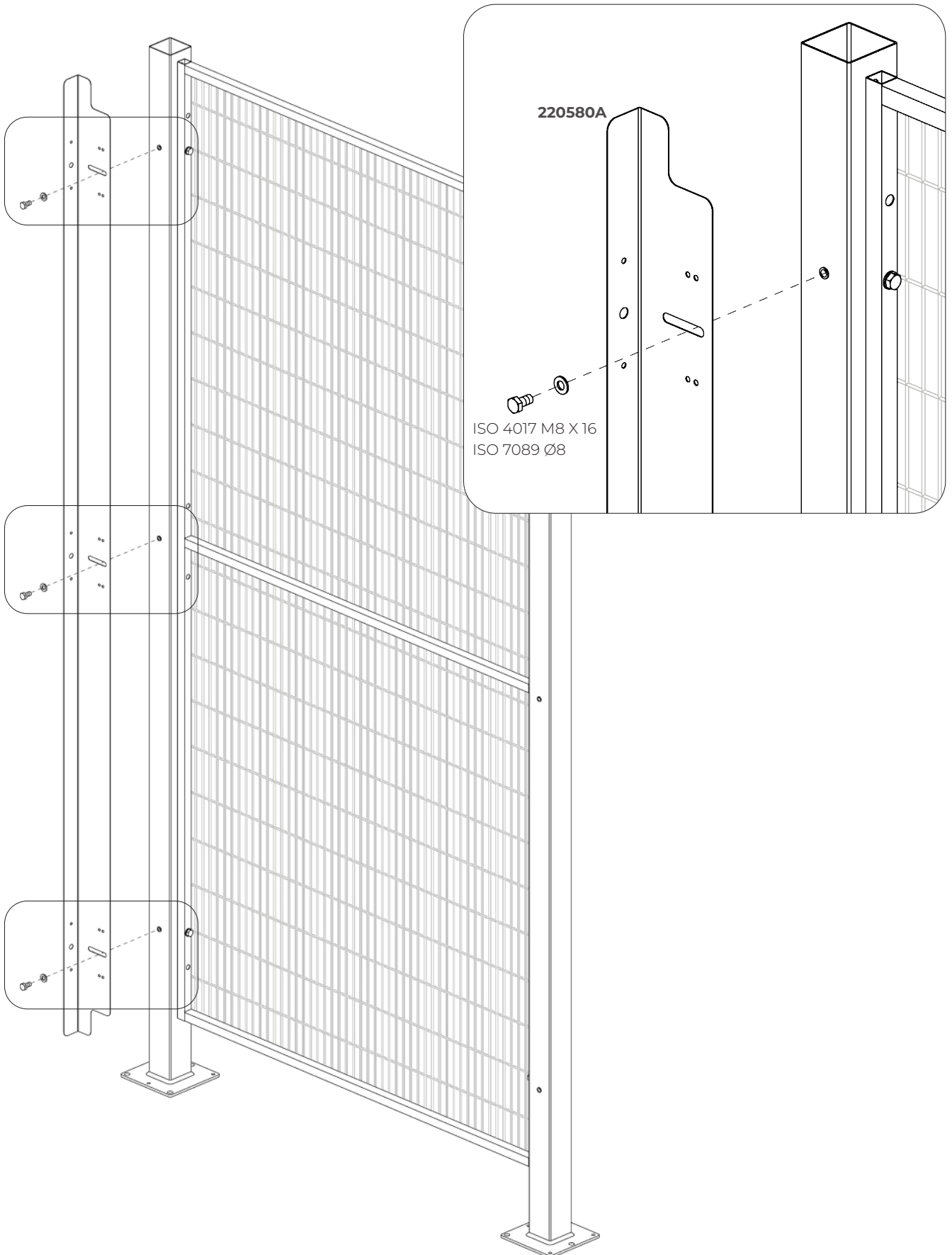
Vertical Gap-filling Plate

ASSEMBLY INSTRUCTIONS - IMPACTGUARD H1640



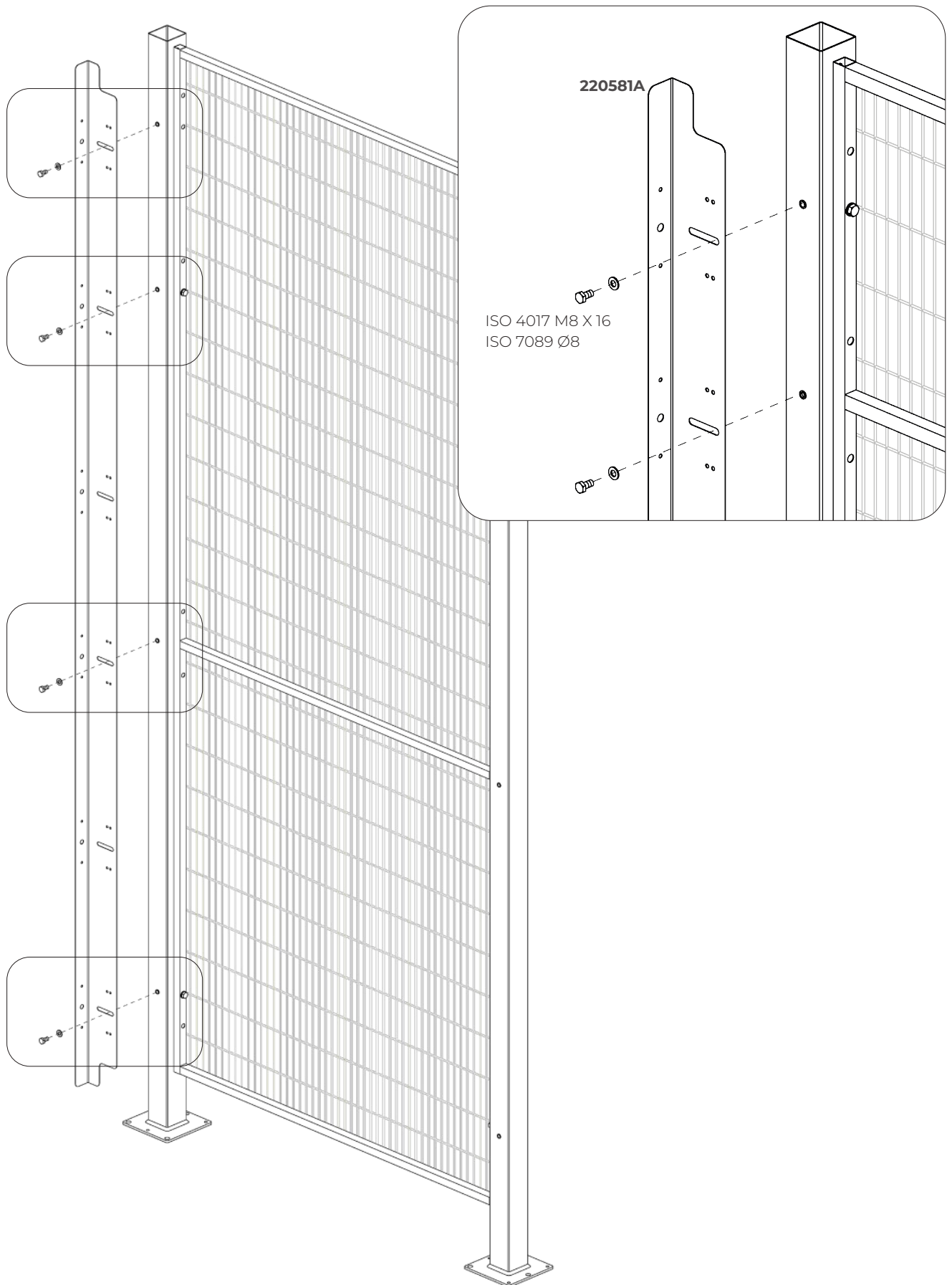
Vertical Gap-filling Plate

ASSEMBLY INSTRUCTIONS - IMPACTGUARD H2240



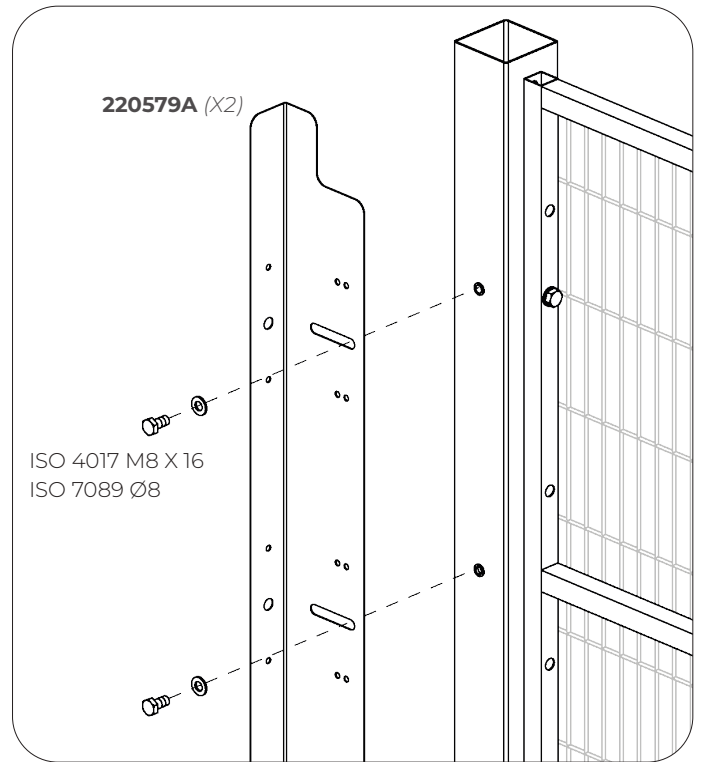
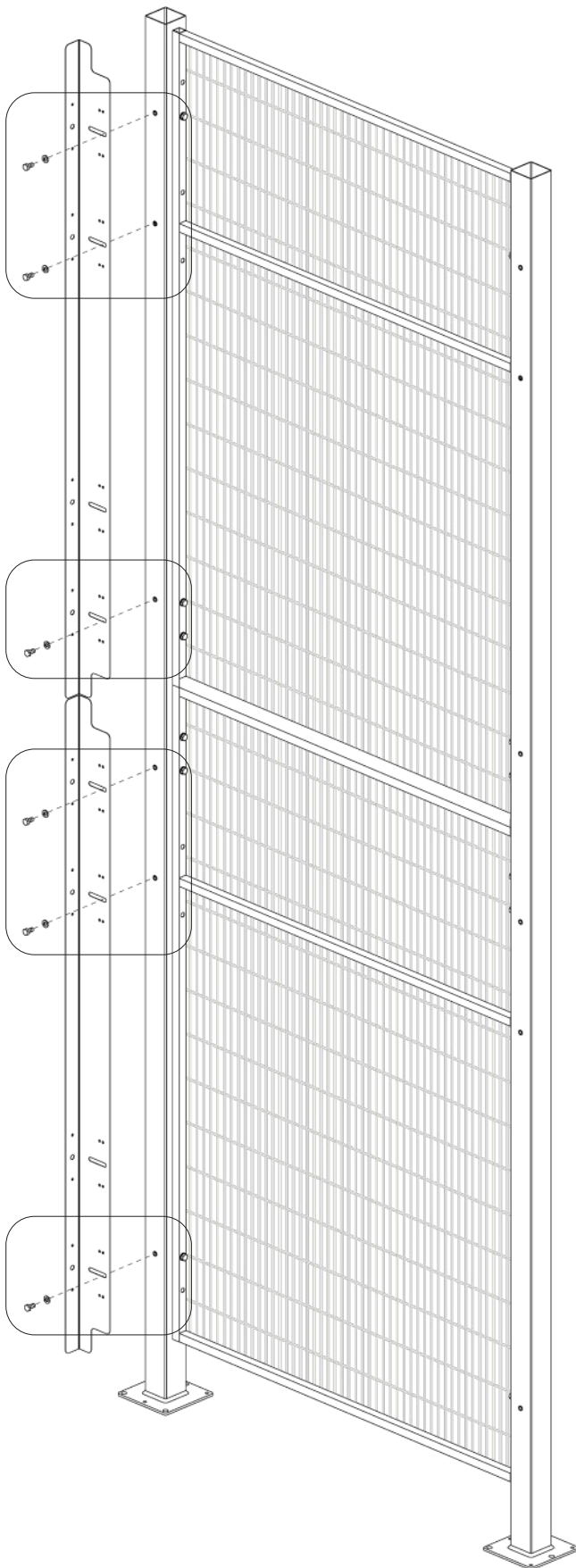
Vertical Gap-filling Plate

ASSEMBLY INSTRUCTIONS - IMPACTGUARD H2640



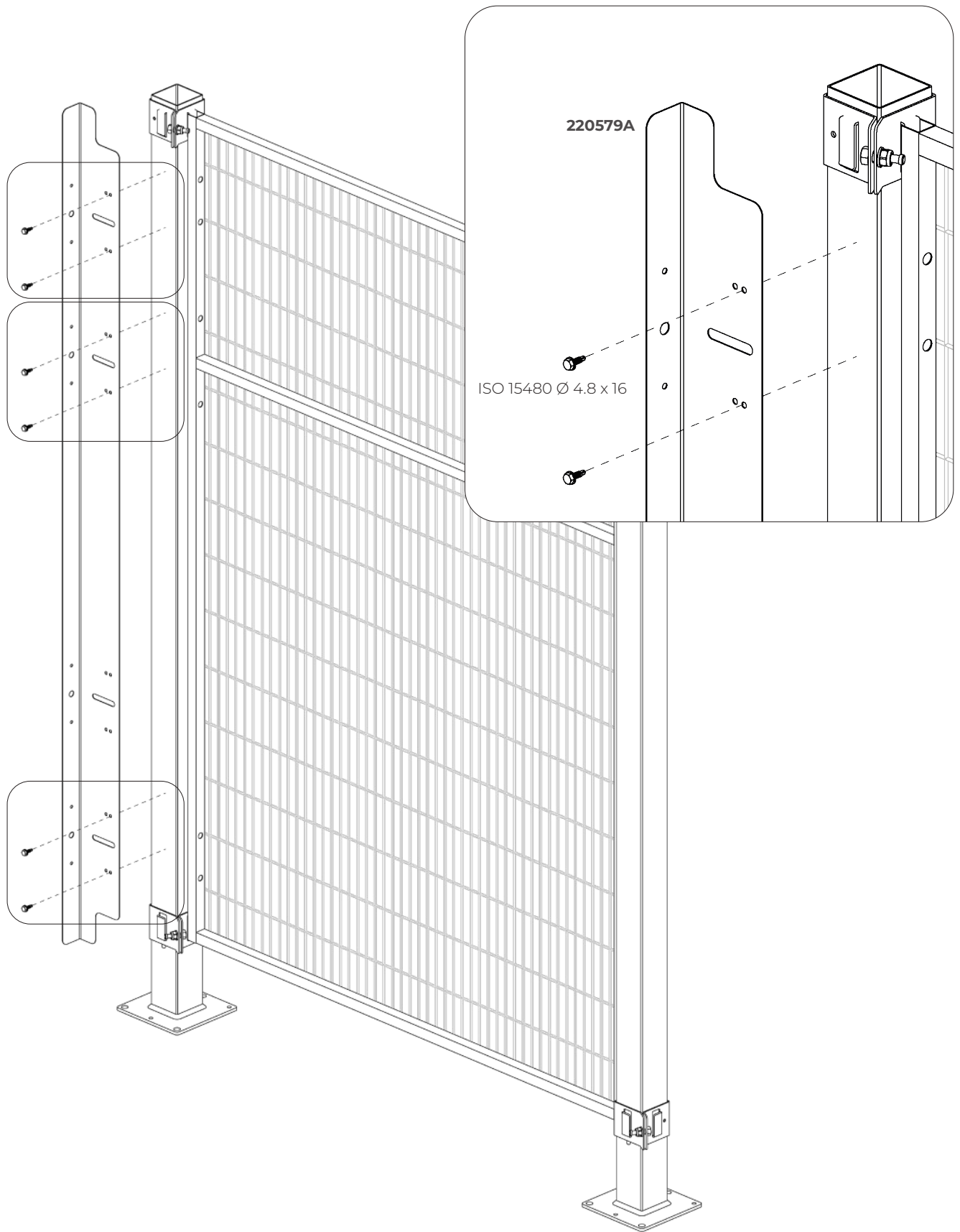
Vertical Gap-filling Plate

ASSEMBLY INSTRUCTIONS - IMPACTGUARD H3120



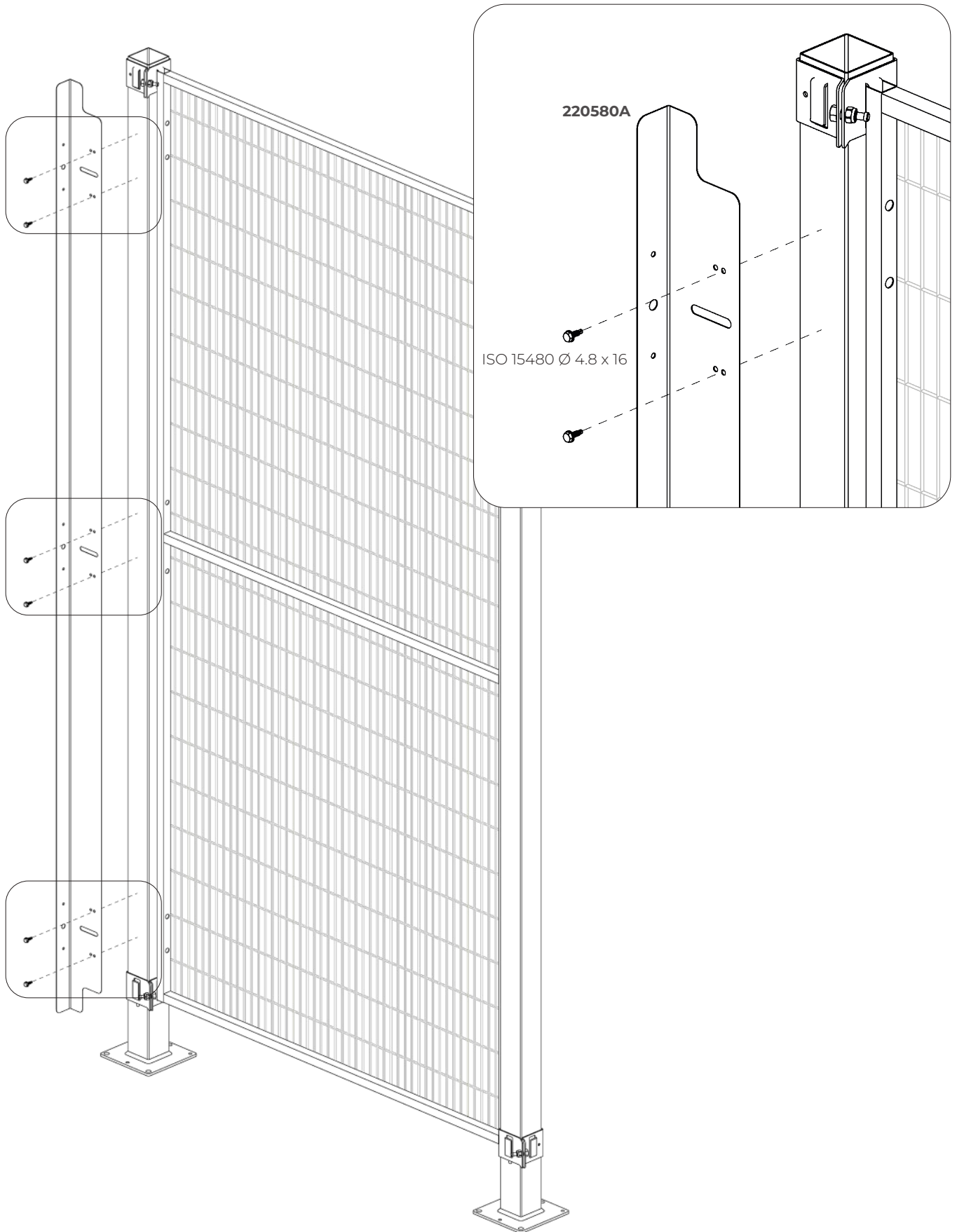
Vertical Gap-filling Plate

ASSEMBLY INSTRUCTIONS - EASYGUARD H1640



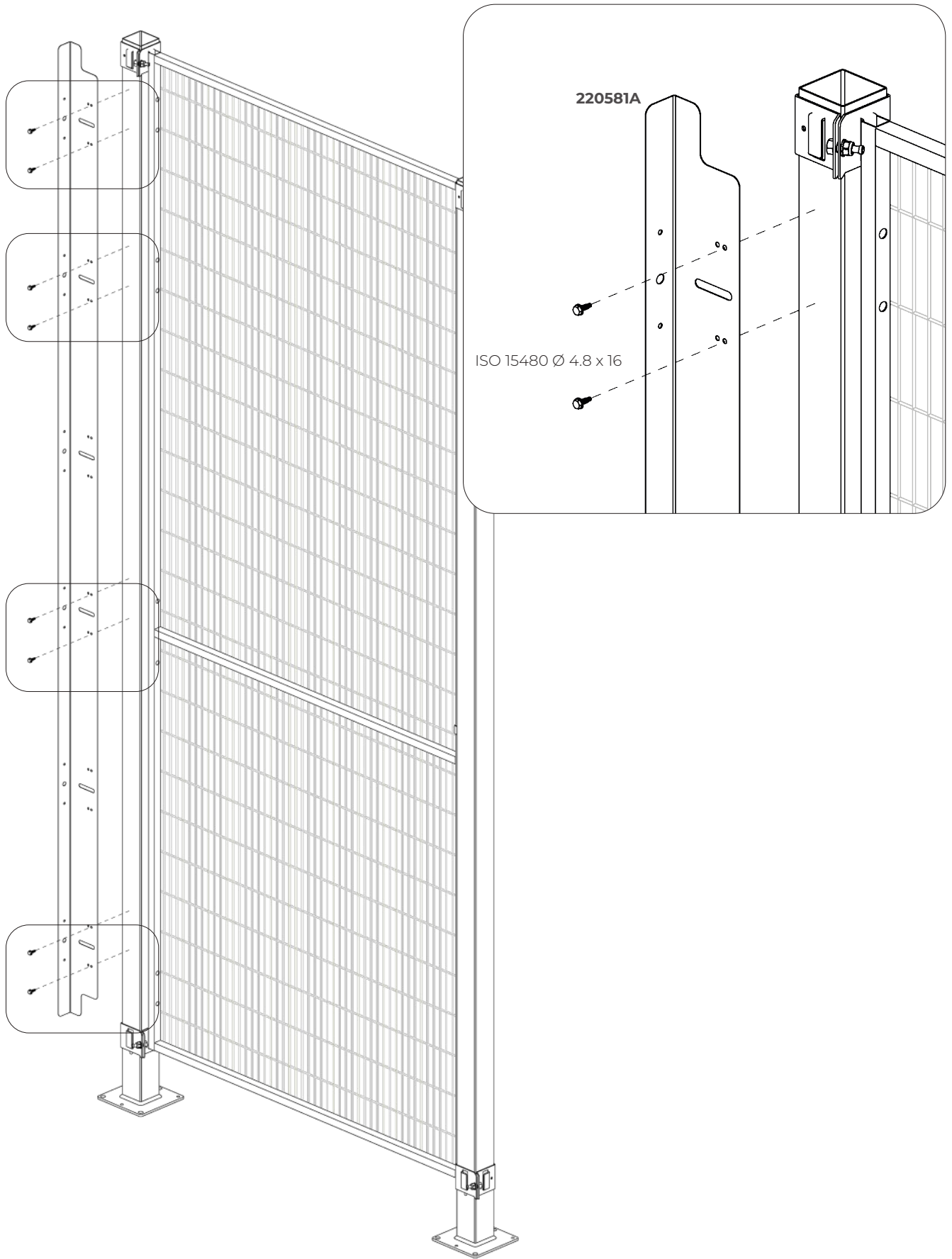
Vertical Gap-filling Plate

ASSEMBLY INSTRUCTIONS - EASYGUARD H2240



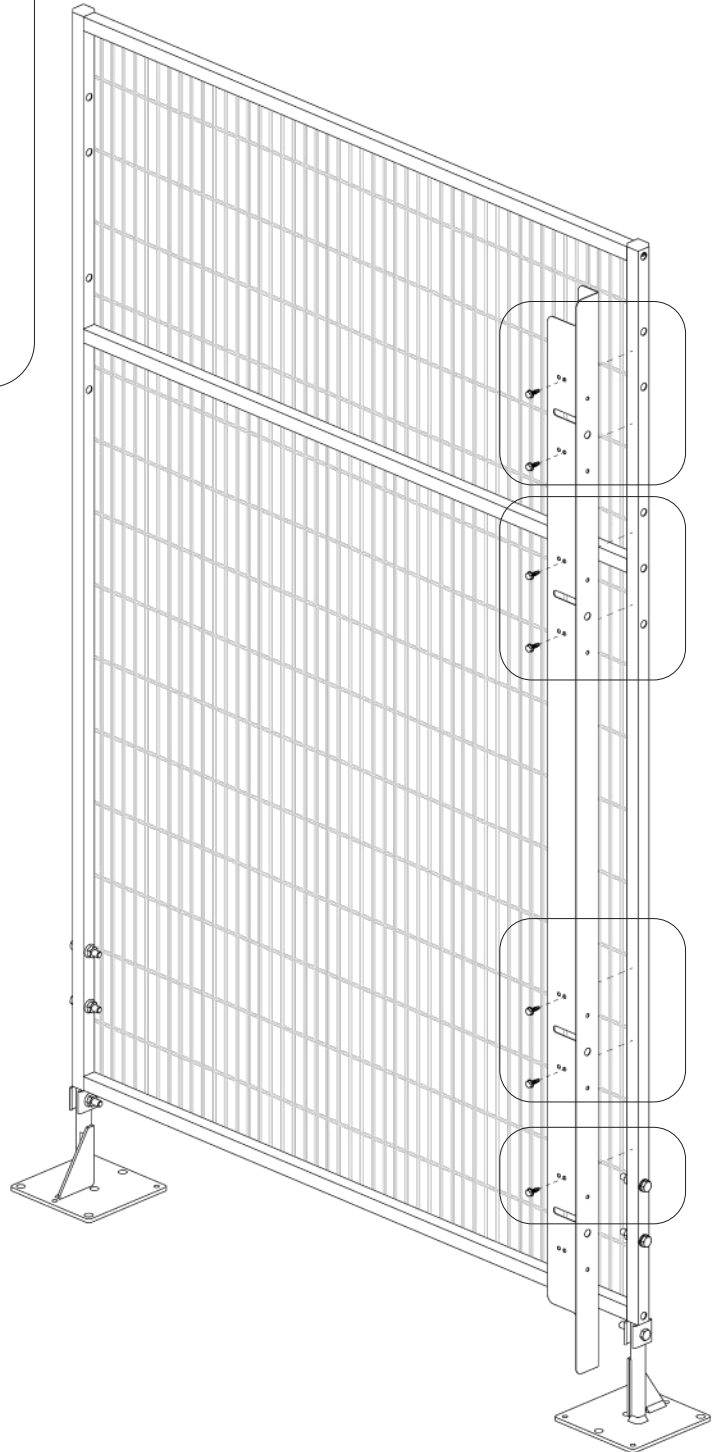
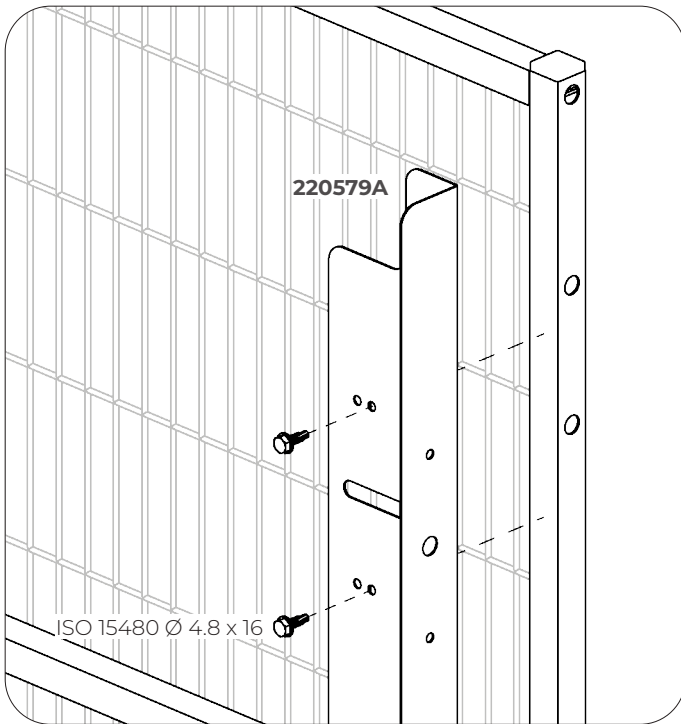
Vertical Gap-filling Plate

ASSEMBLY INSTRUCTIONS - EASYGUARD H2640



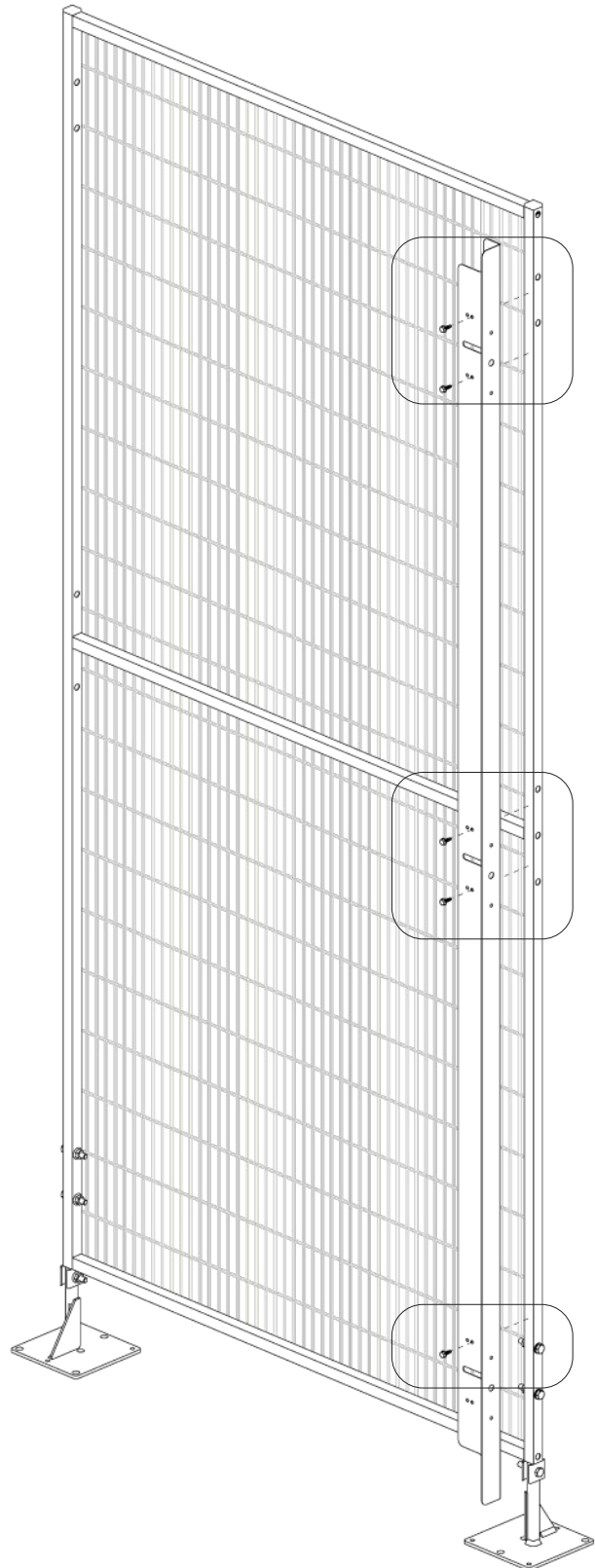
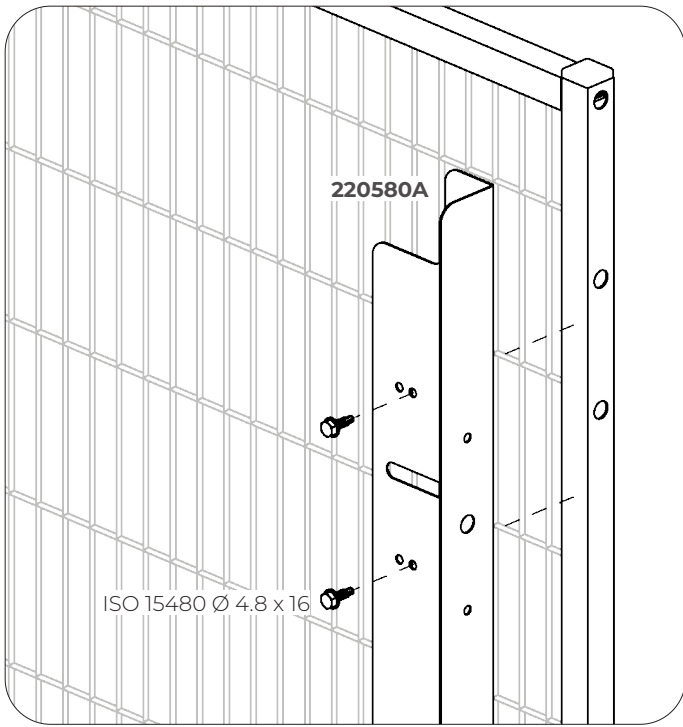
Vertical Gap-filling Plate

ASSEMBLY INSTRUCTIONS - FASTGUARD H1620



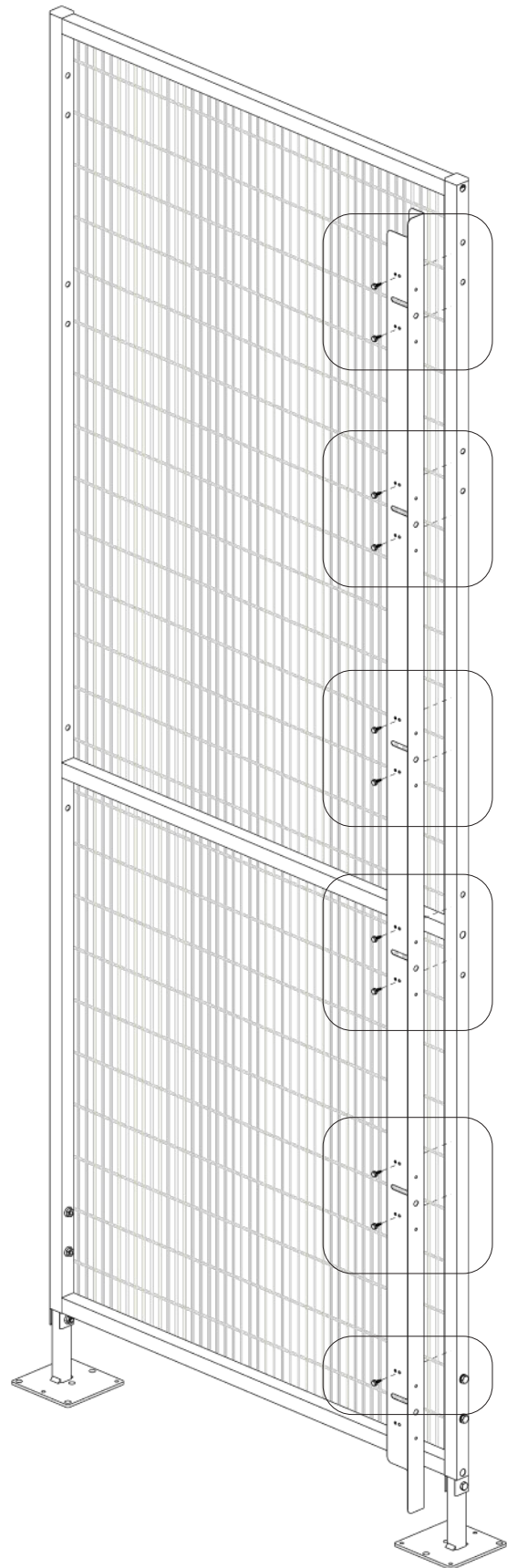
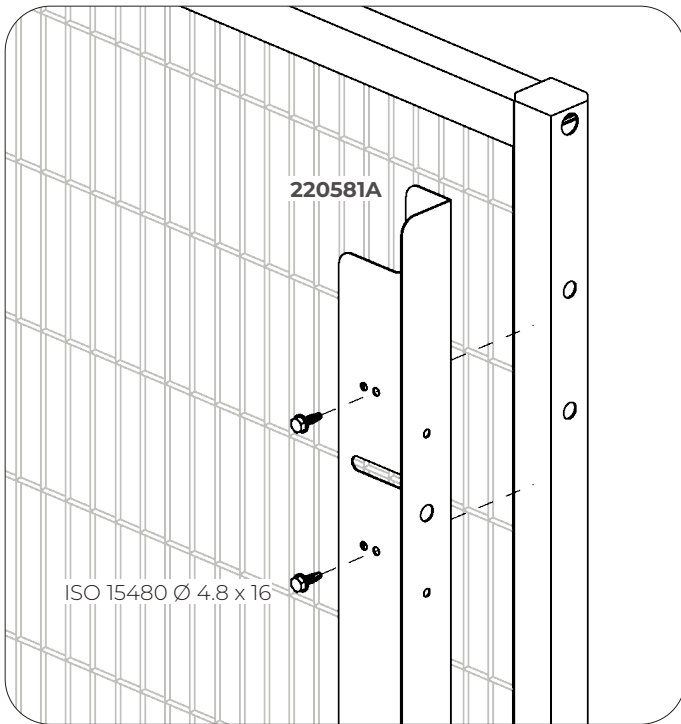
Vertical Gap-filling Plate

ASSEMBLY INSTRUCTIONS - FASTGUARD H2220



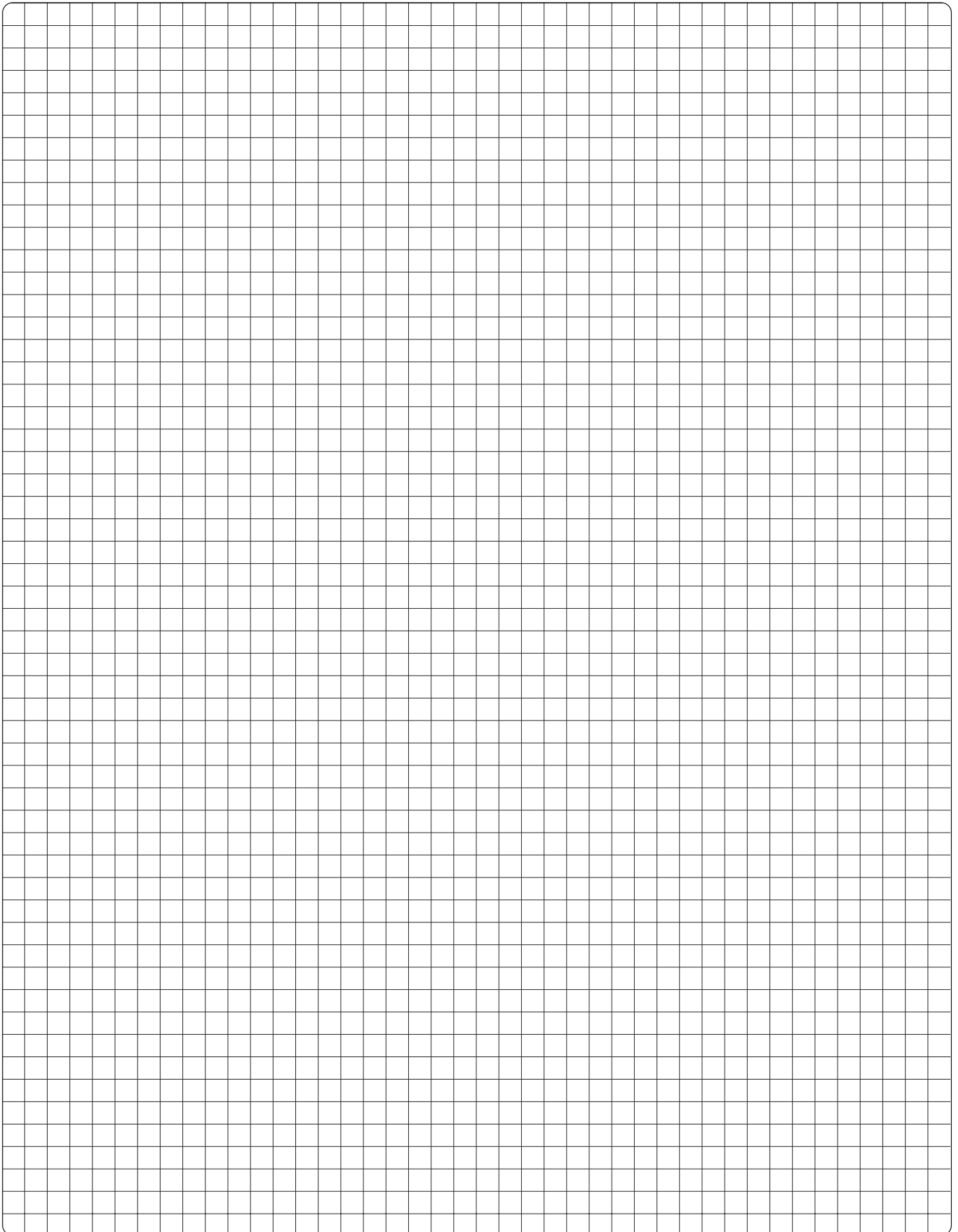
Vertical Gap-filling Plate

ASSEMBLY INSTRUCTIONS - FASTGUARD H2620



Vertical Gap-filling Plate

NOTES



Modular Machine Guards that fit your needs.

Tailor-made solutions for the safety of operators and machinery



Protecting workers and machinery is paramount to create a safe and productive work environment. Satech Modular Machine Guards Systems, Doors and Accessories provide tailor-made solutions for any machinery layout need. **3 framed Systems, 2 frameless Systems** and **more than 150 Locks/Interlocks** ensure the maximum level of protection (PL) when accessing hazard areas for inspection or machinery maintenance.

Perimeter Protection Machine Safety Guards compliant with European and International Standards

Satech Machine Guards are manufactured in compliance with the **EN ISO 14120** standard, "General requirements for the design and construction of fixed and movable guards". They can be installed at a minimum distance of **120 mm from hazard** (as for EN ISO 13857), saving you plenty of layout space.

All Satech products are manufactured with **quality materials** and are highly durable. Mesh panels and other panel solutions can be easily and rapidly connected to posts (with captive retained fastenings, as for 2006/42/CE - Machinery Directive), which allows you to greatly **reduce assembly time**.

Founded in 2000, Satech was the first Italian Perimeter Guards Manufacturer. A **modern international company** today, in our 20+ years of work we have taken care of the safety of thousands of automated machinery systems and of millions of people worldwide. A **Safe** Factory is a **Productive** One.



Need help with this manual?

If you need additional specs, tips or manuals, please call our **Customer Service** at

+39 031 86230 85

SATECH
Modular Machine Guards

Satech Safety Technology SpA

Via Conte Taverna, 1
I-23892 Bulciago (LC)
Phone +39 031 86230 11



CERTIFIED
ISO 9001
ISO 14001
ISO 45001

