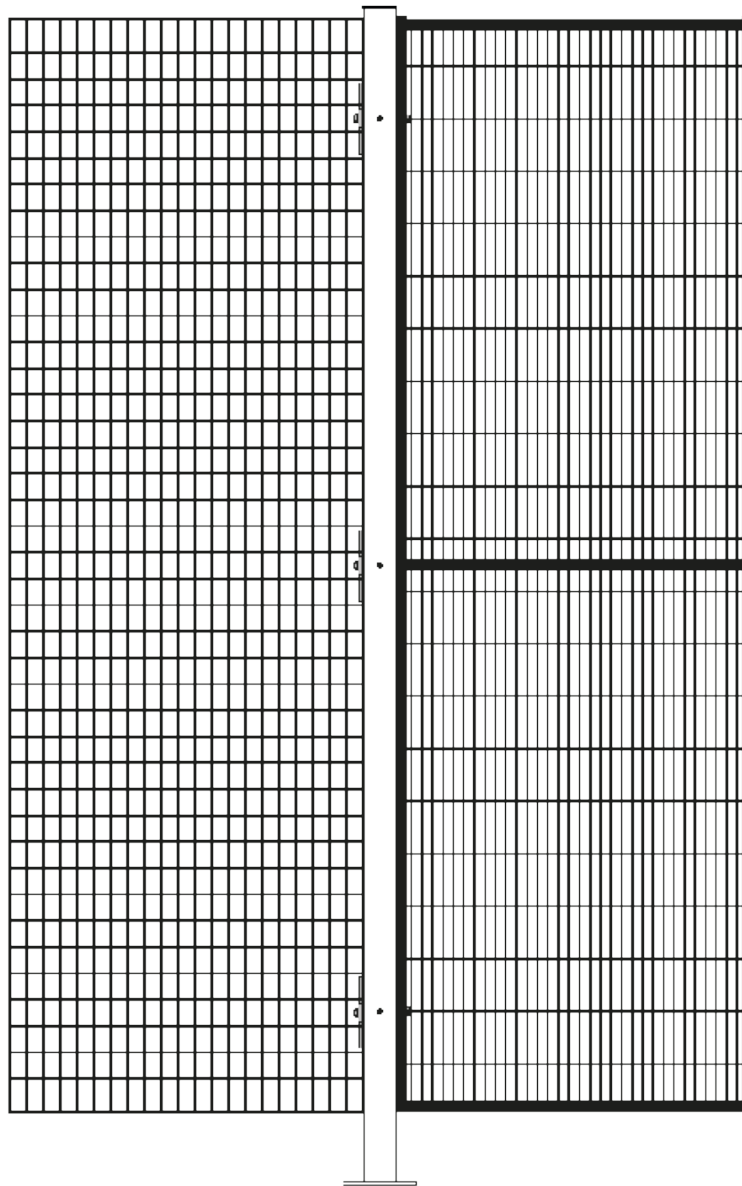


# Cross-Modular Systems

ASSEMBLY INSTRUCTIONS

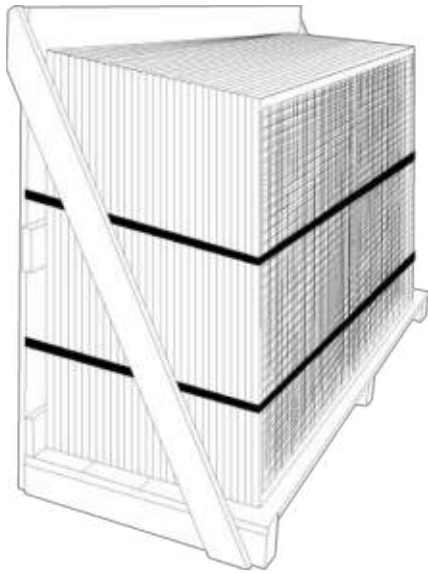
*P40 W/Clamp - P60 W/Clamp  
P40 Frameless - P60 Frameless - P50 Framed*



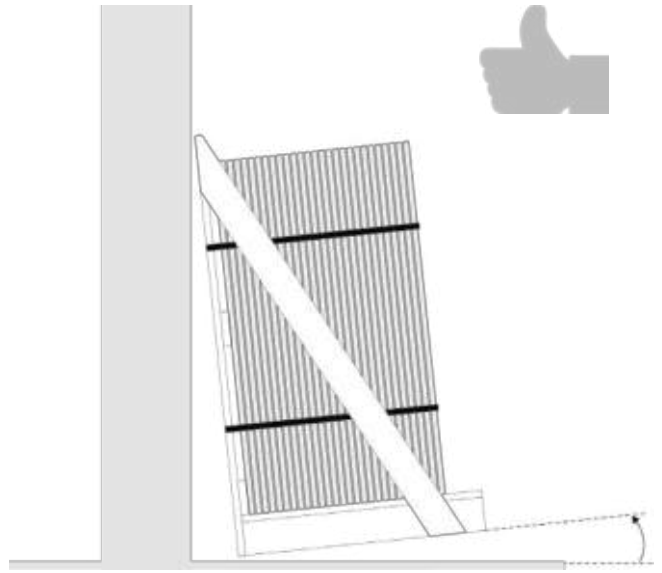
# Cross-Modular Systems

SAFE START

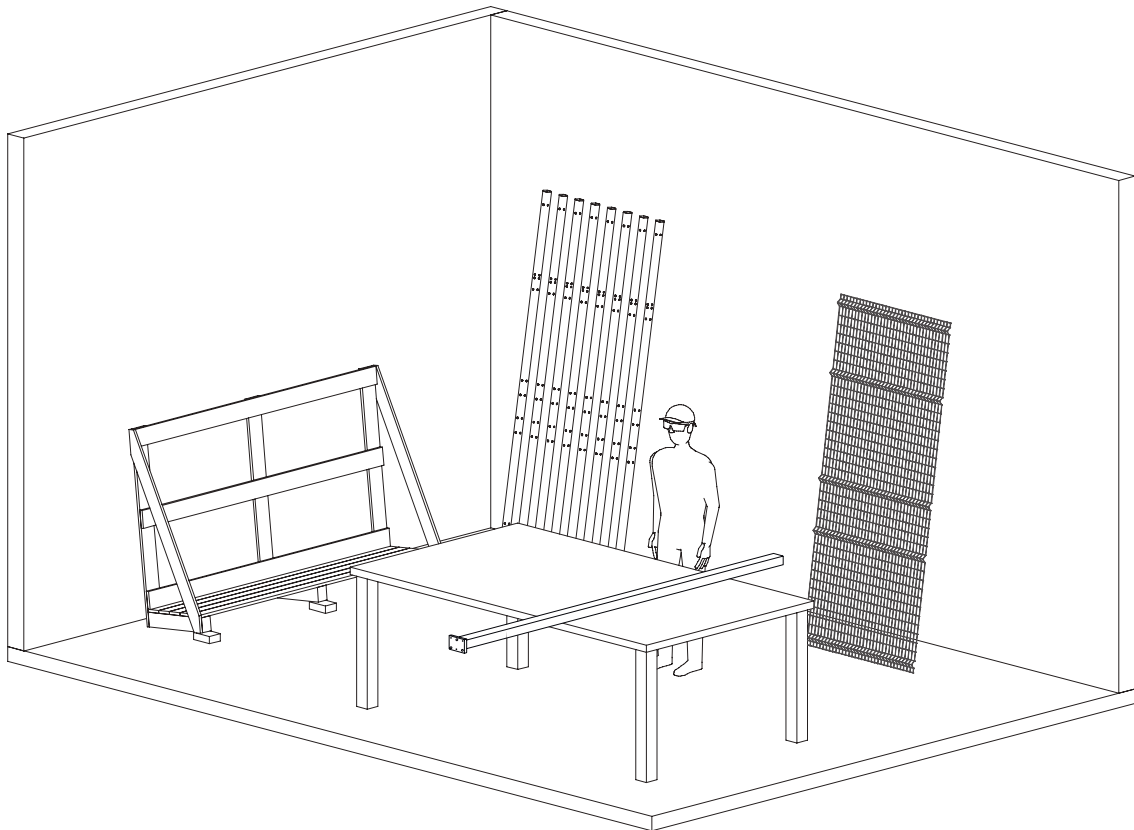
1



2



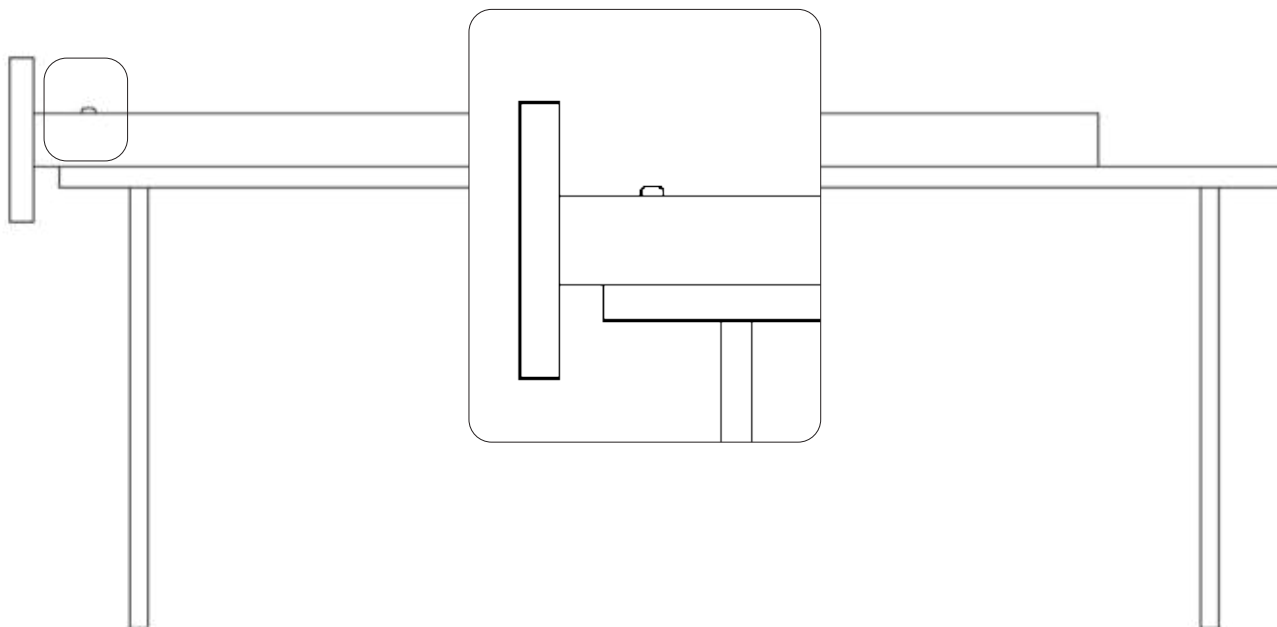
3



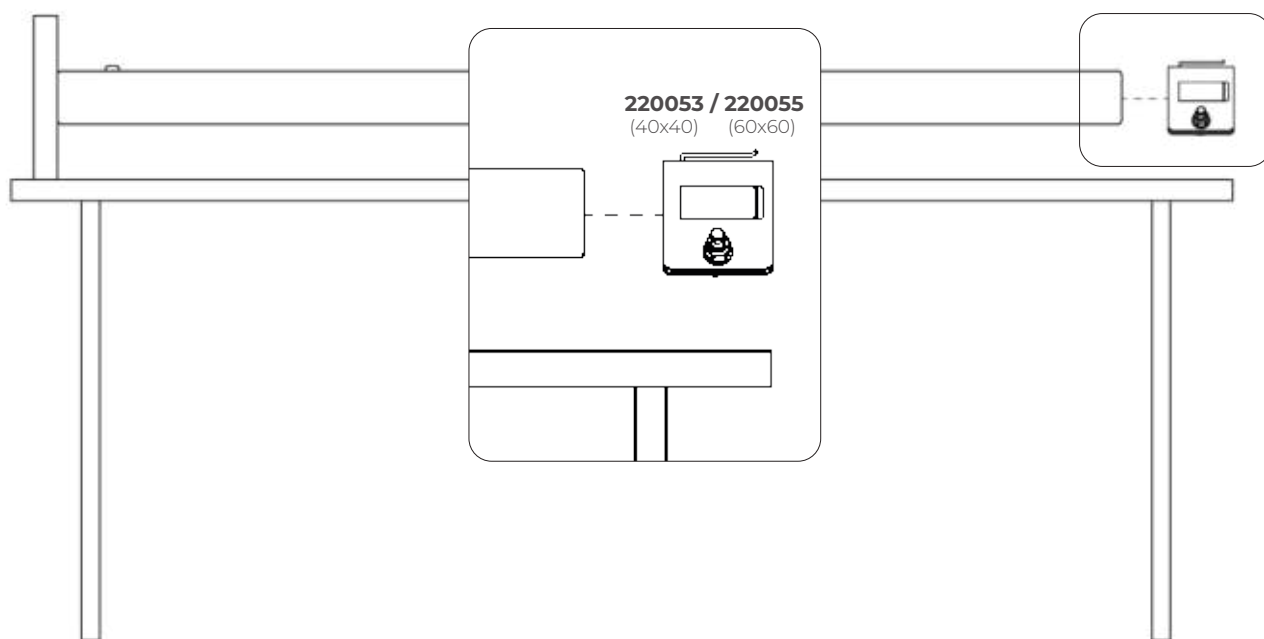
# Cross-Modular Systems

SAFE START 1

4



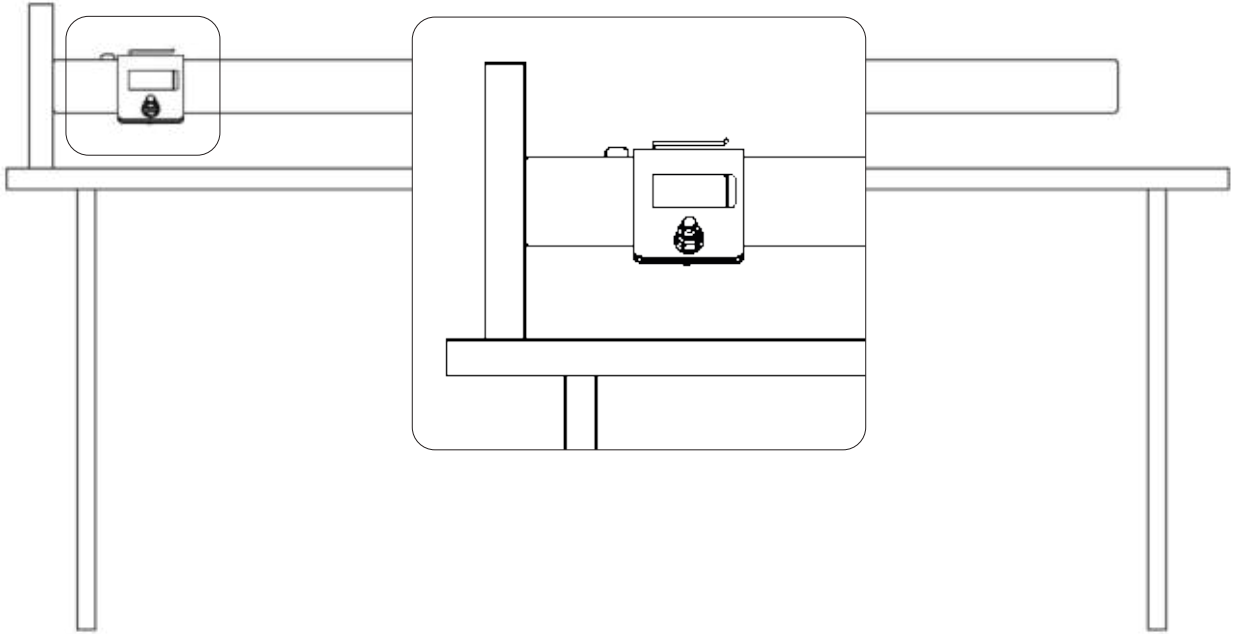
5



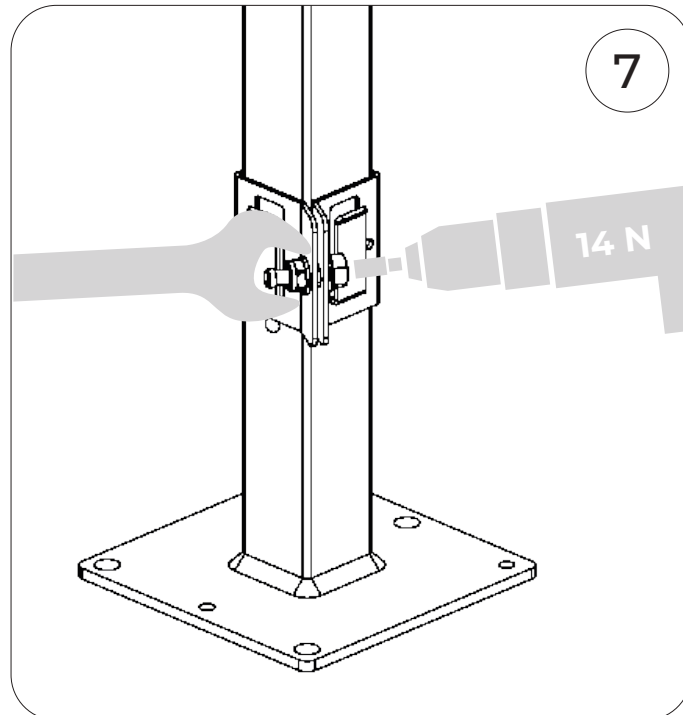
# Cross-Modular Systems

SAFE START 1

6

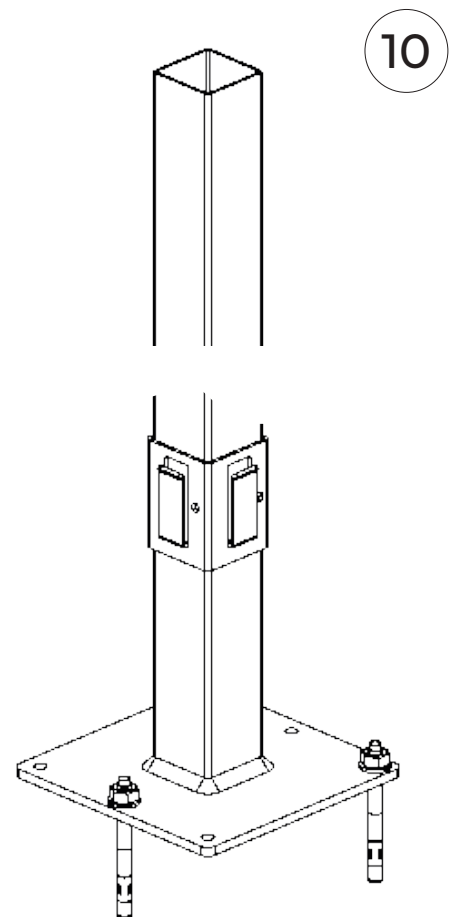
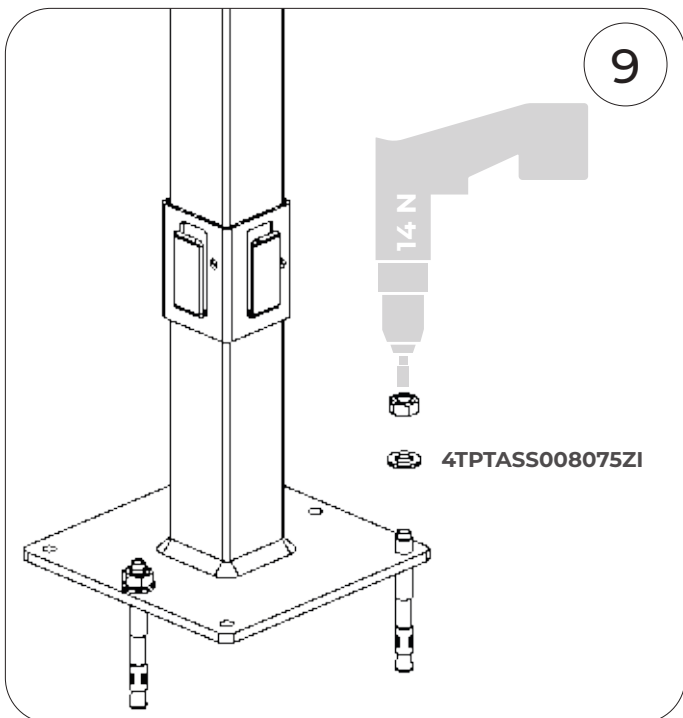
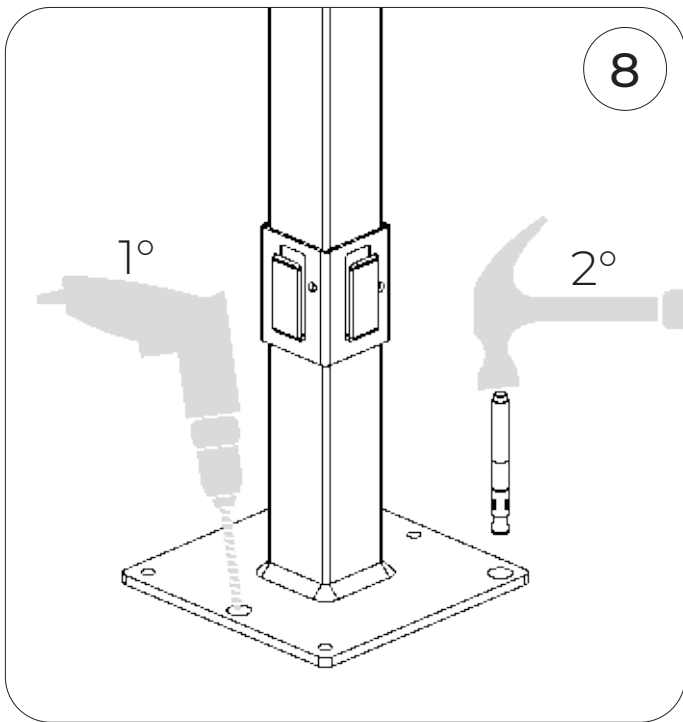


7



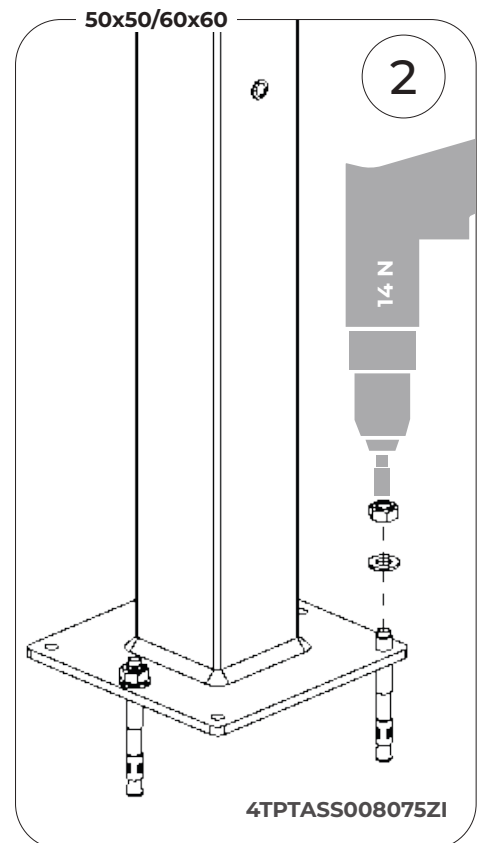
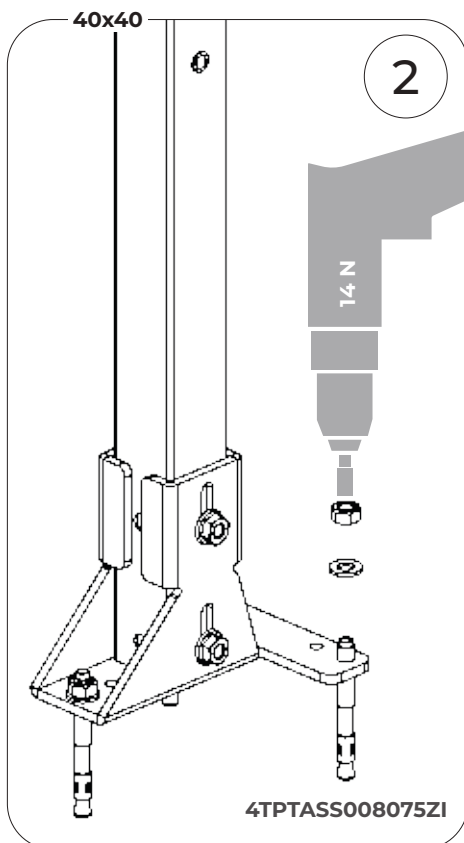
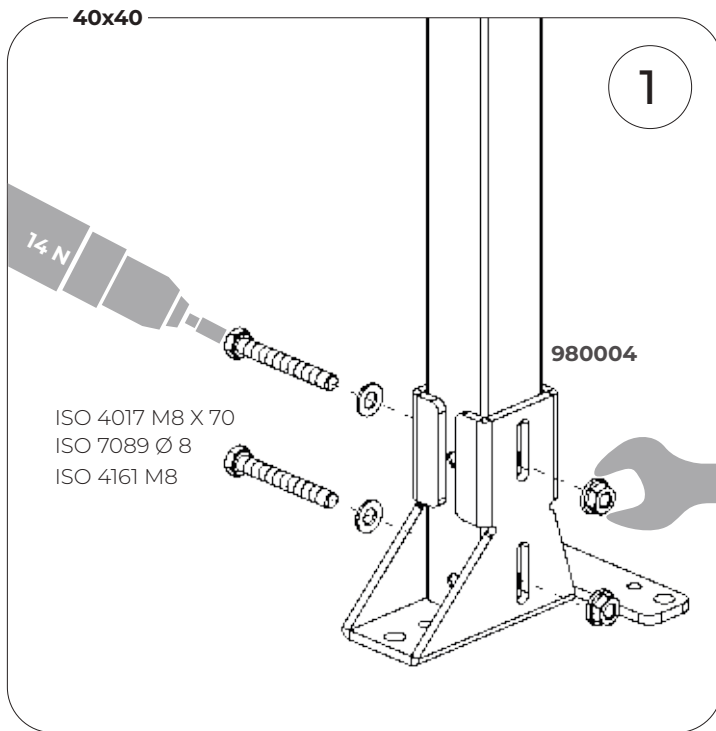
# Cross-Modular Systems

SAFE START 1



# Cross-Modular Systems

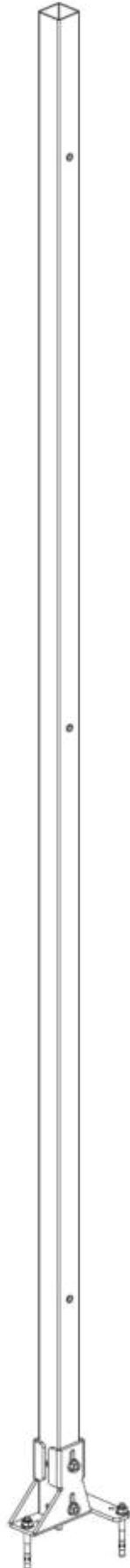
## SAFE START2



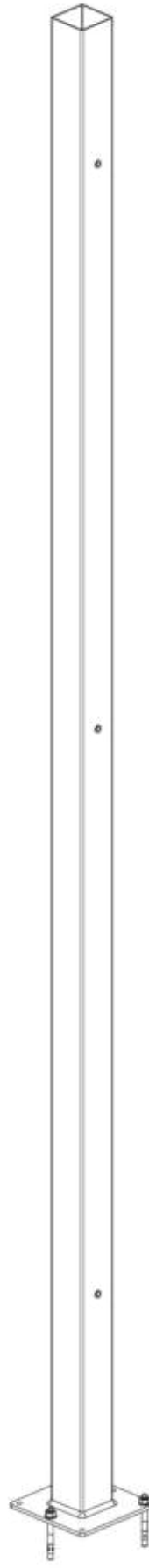
# Cross-Modular Systems

SAFE START2

40x40



50x50/60x60

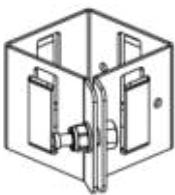


3

# Cross-Modular Systems

ASSEMBLY INSTRUCTIONS - P40 W / P60 W/Clamp

**220053 / 220055**  
(40x40) (60x60)



x 1

**4021000000000002** (40x40)  
**4021000000000003** (60x60)

**904545 / 906565**  
(40x40) (60x60)

ISO 15480 Ø 4.8 x 16



x 1



x 2

**4021000000000001**

ISO 4017 M8 X 30

ISO 7089 Ø 8

**4TPTASS008075Z1**



x 1

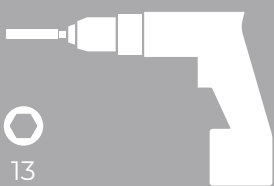


x 1



x 3

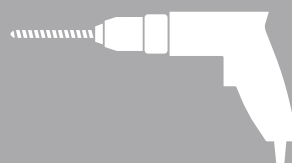
## Tools



13



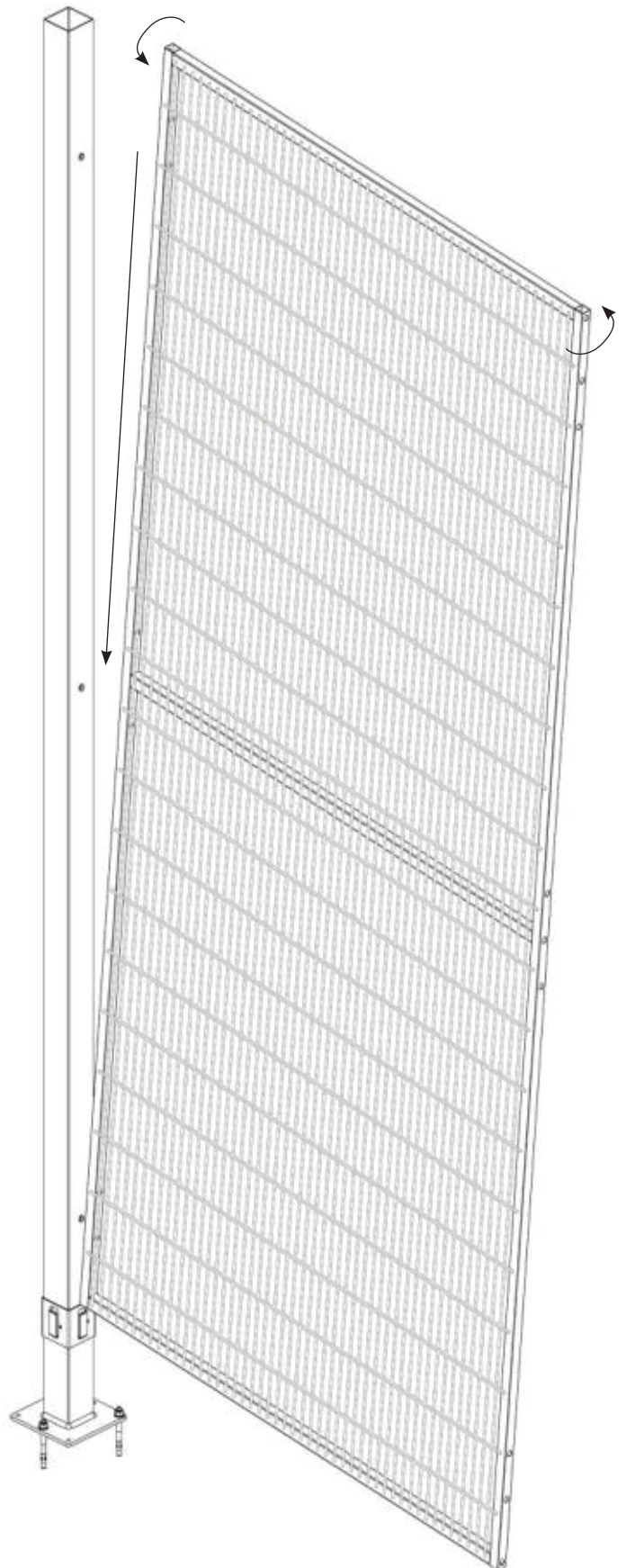
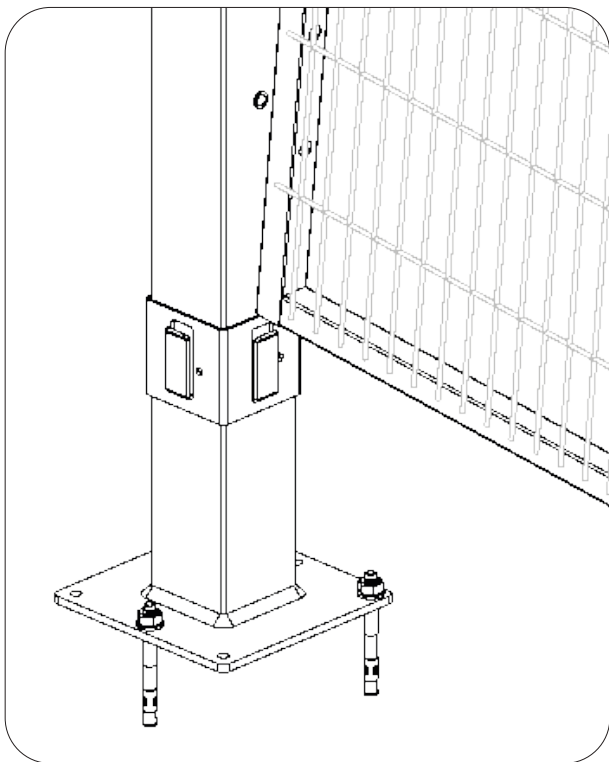
13





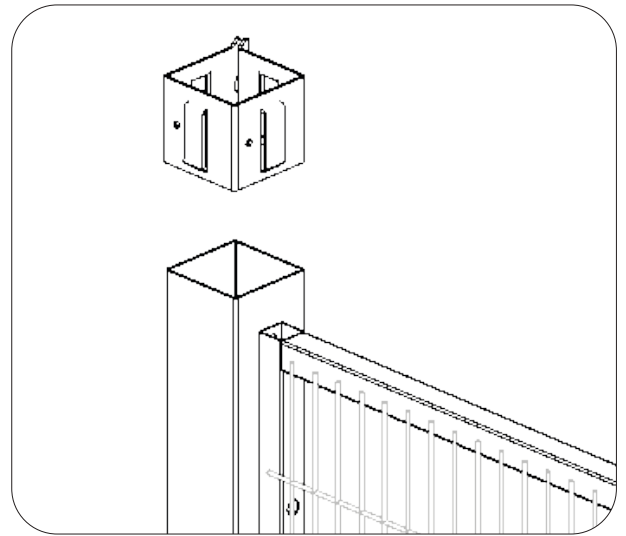
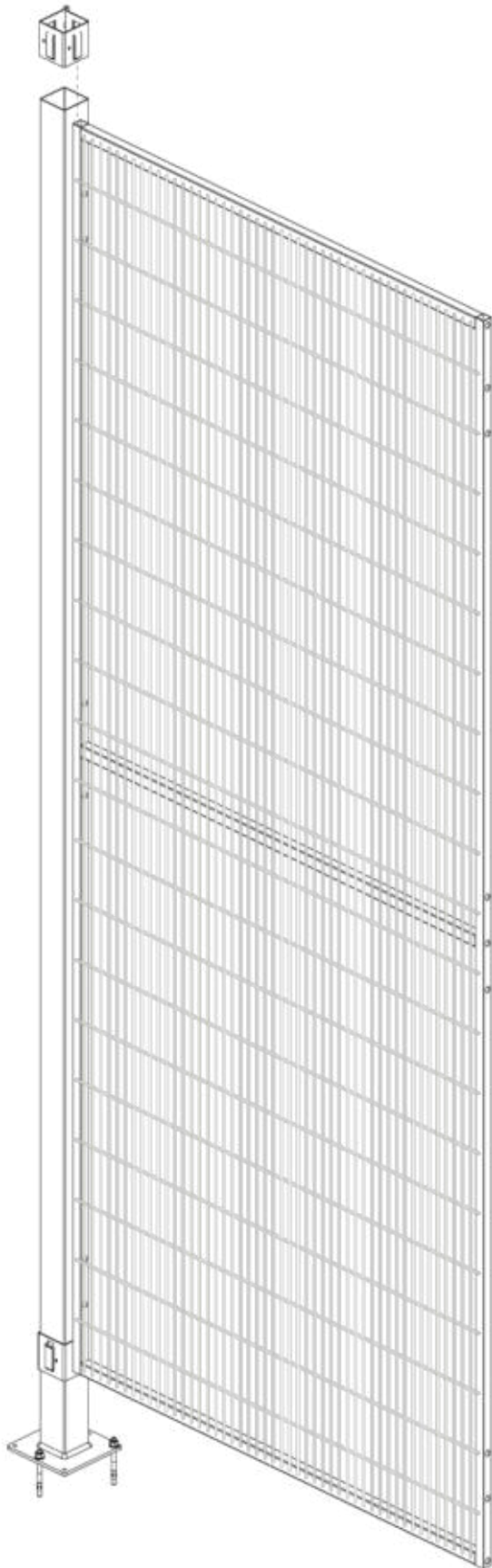
# Cross-Modular Systems

ASSEMBLY INSTRUCTIONS - P60 W/Clamp



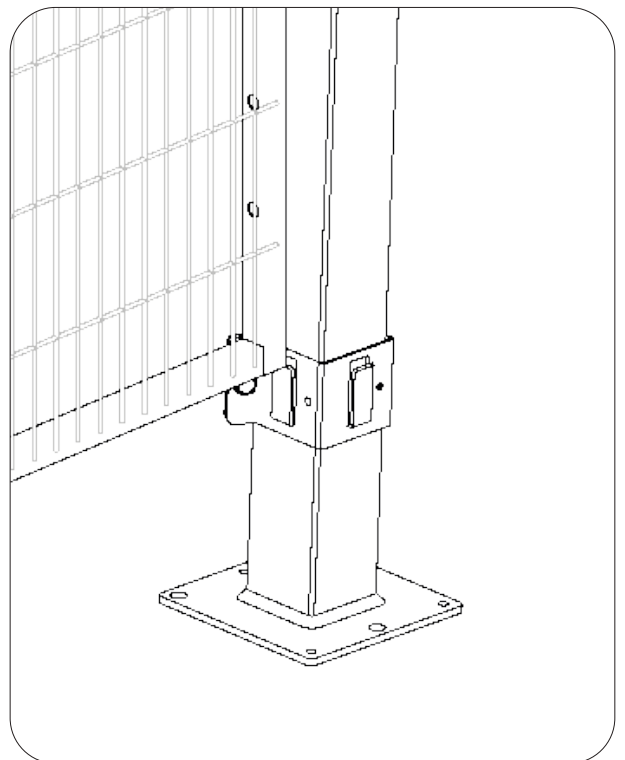
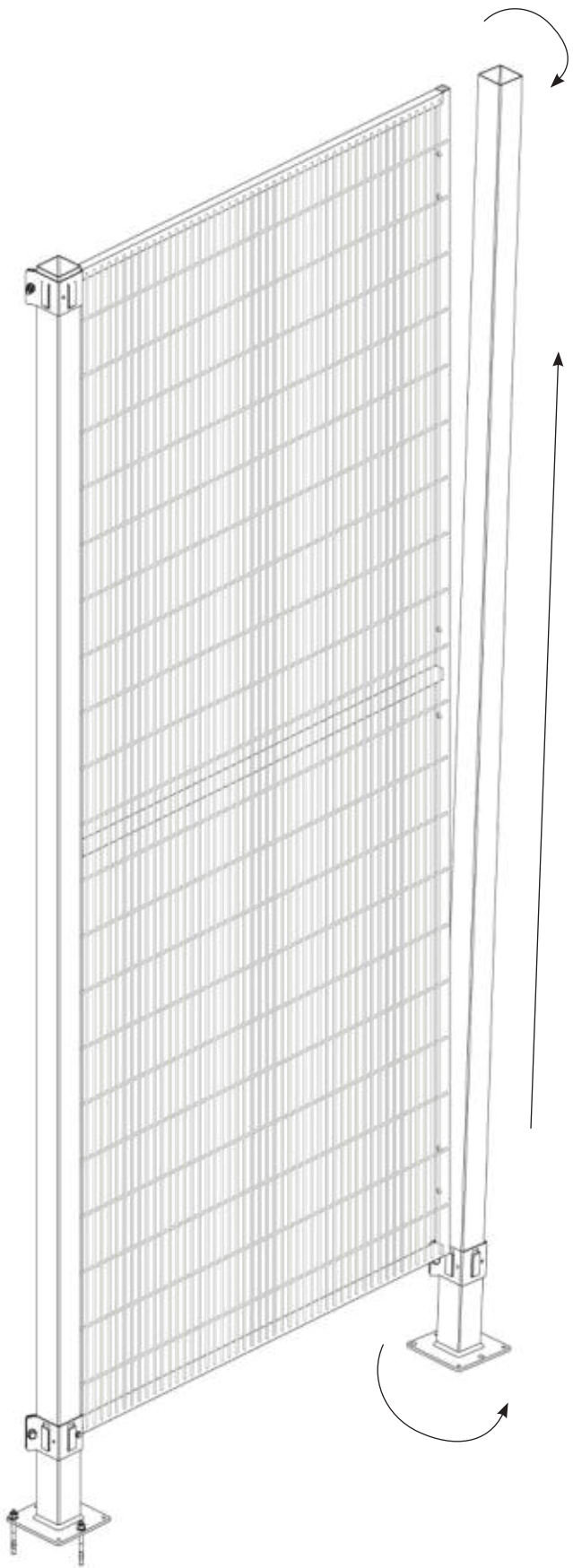
# Cross-Modular Systems

ASSEMBLY INSTRUCTIONS - P60 W/Clamp



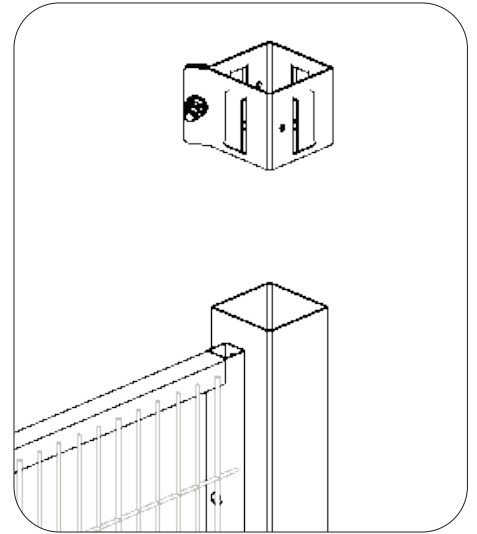
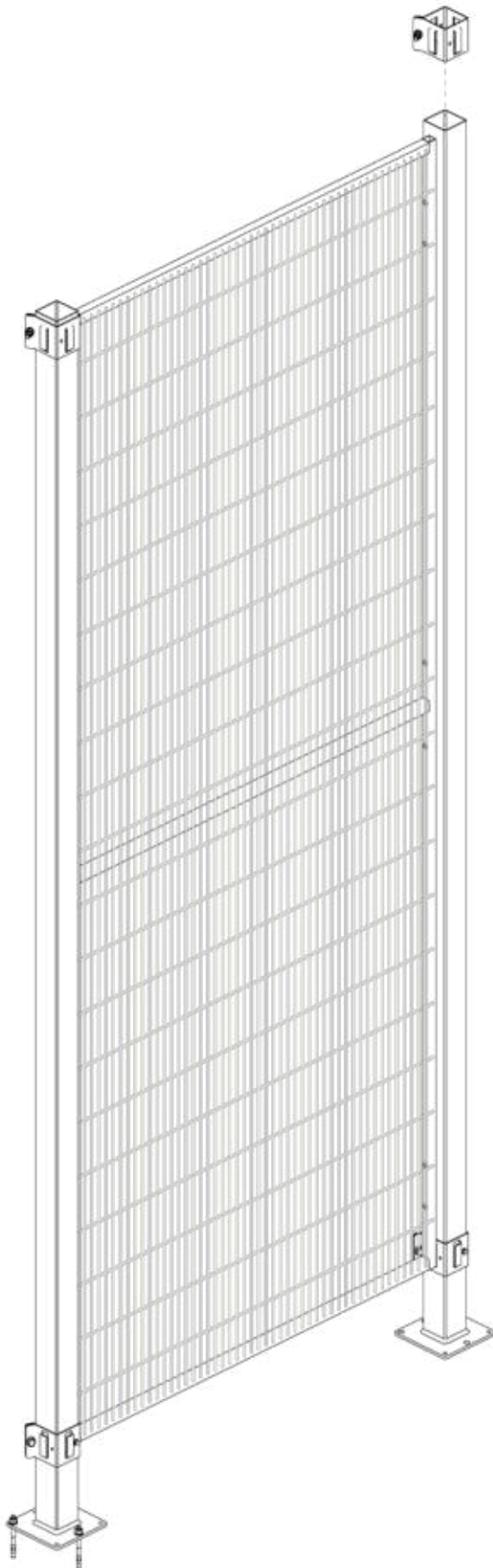
# Cross-Modular Systems

ASSEMBLY INSTRUCTIONS - P60 W/Clamp



# Cross-Modular Systems

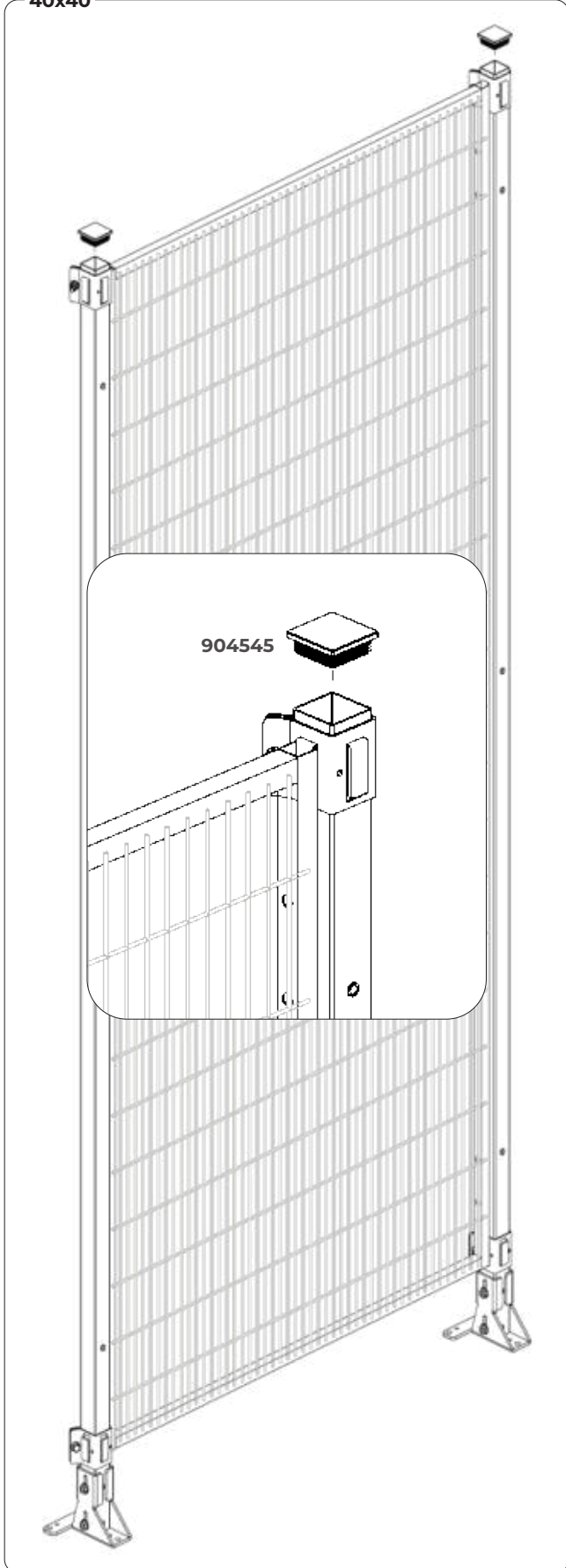
ASSEMBLY INSTRUCTIONS - P60 W/Clamp



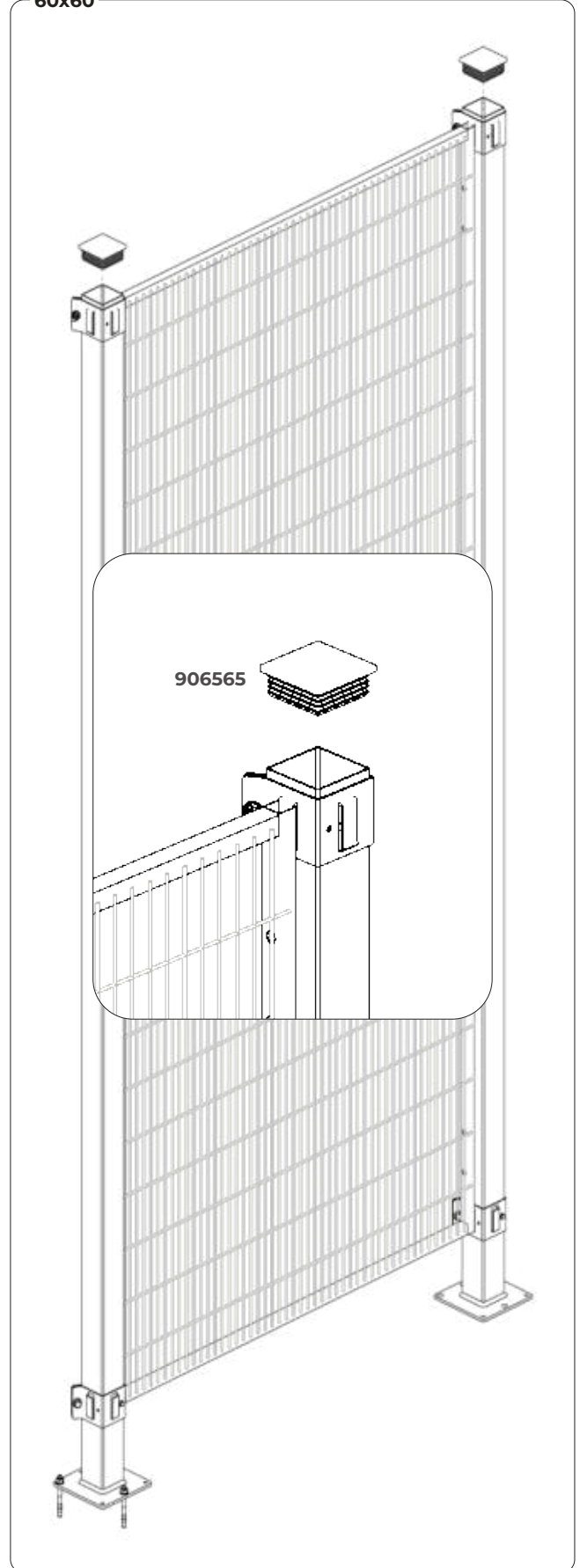
# Cross-Modular Systems

ASSEMBLY INSTRUCTIONS - P40 W / P60 W/Clamp

40x40



60x60



# Cross-Modular Systems

ASSEMBLY INSTRUCTIONS - P40 / P60 Frameless

## 402100000000001

ISO 4017 M8 X 30



x1

ISO 7089 Ø 8



x1

4TPTASS008075ZI



x3

220056



x6

220051



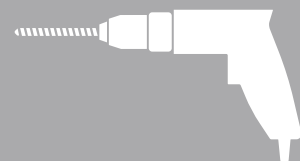
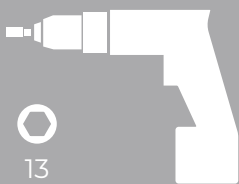
x6

904545 / 906565  
(40x40) (60x60)



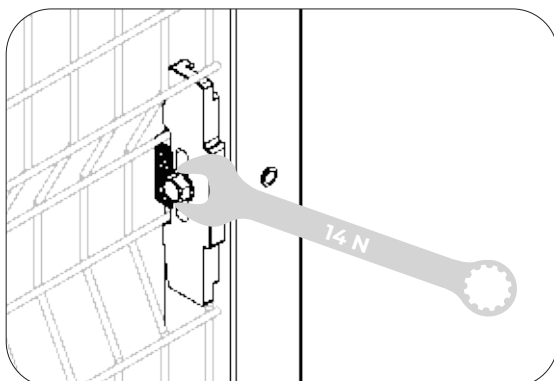
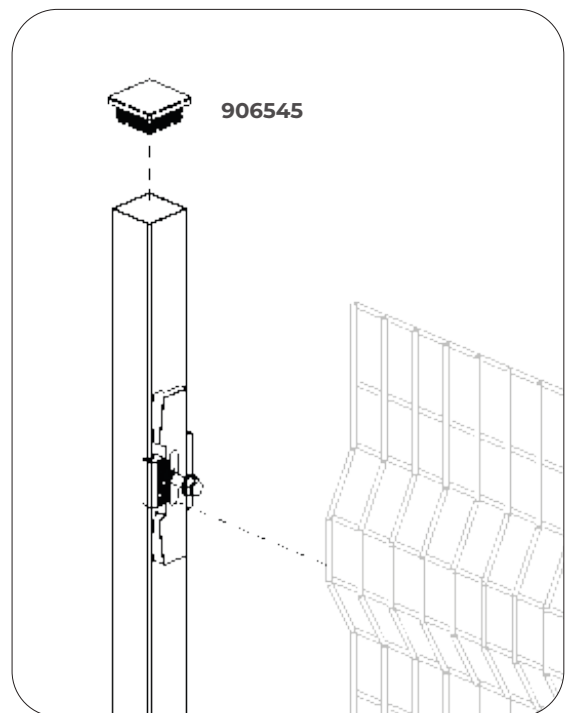
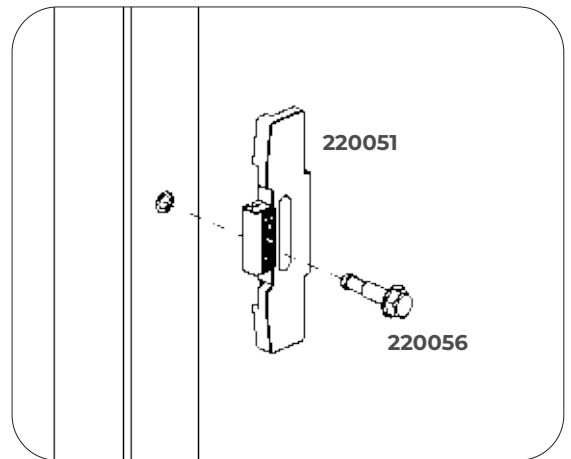
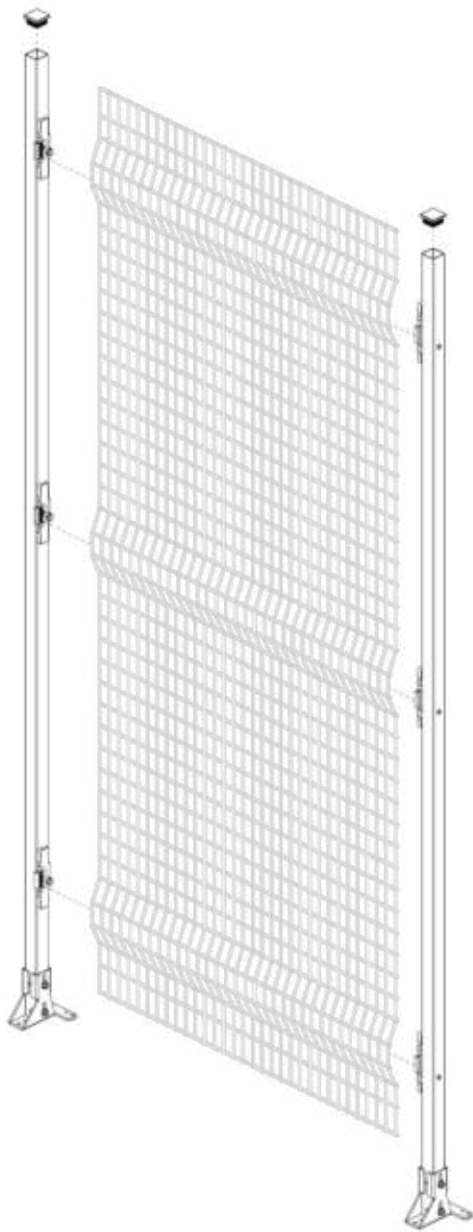
x1

## Tools



# Cross-Modular Systems

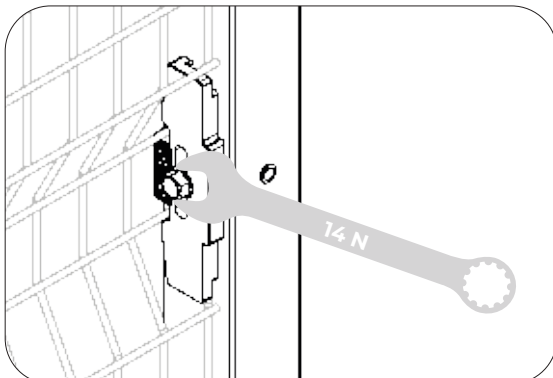
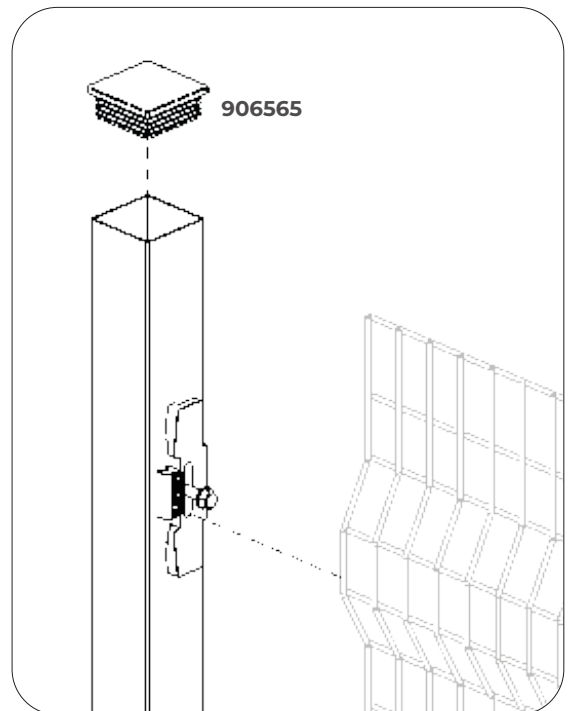
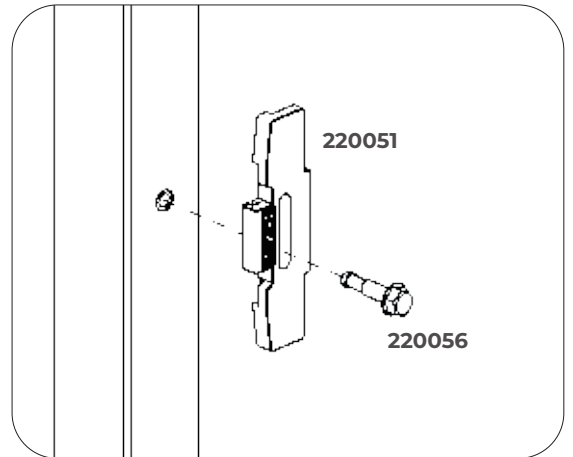
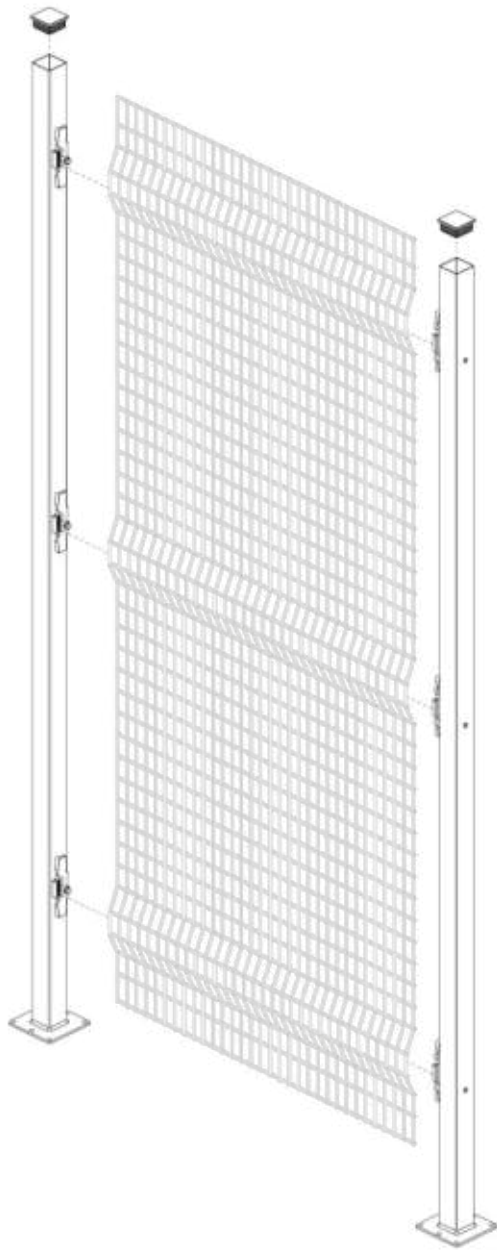
ASSEMBLY INSTRUCTIONS - P40 Frameless





# Cross-Modular Systems

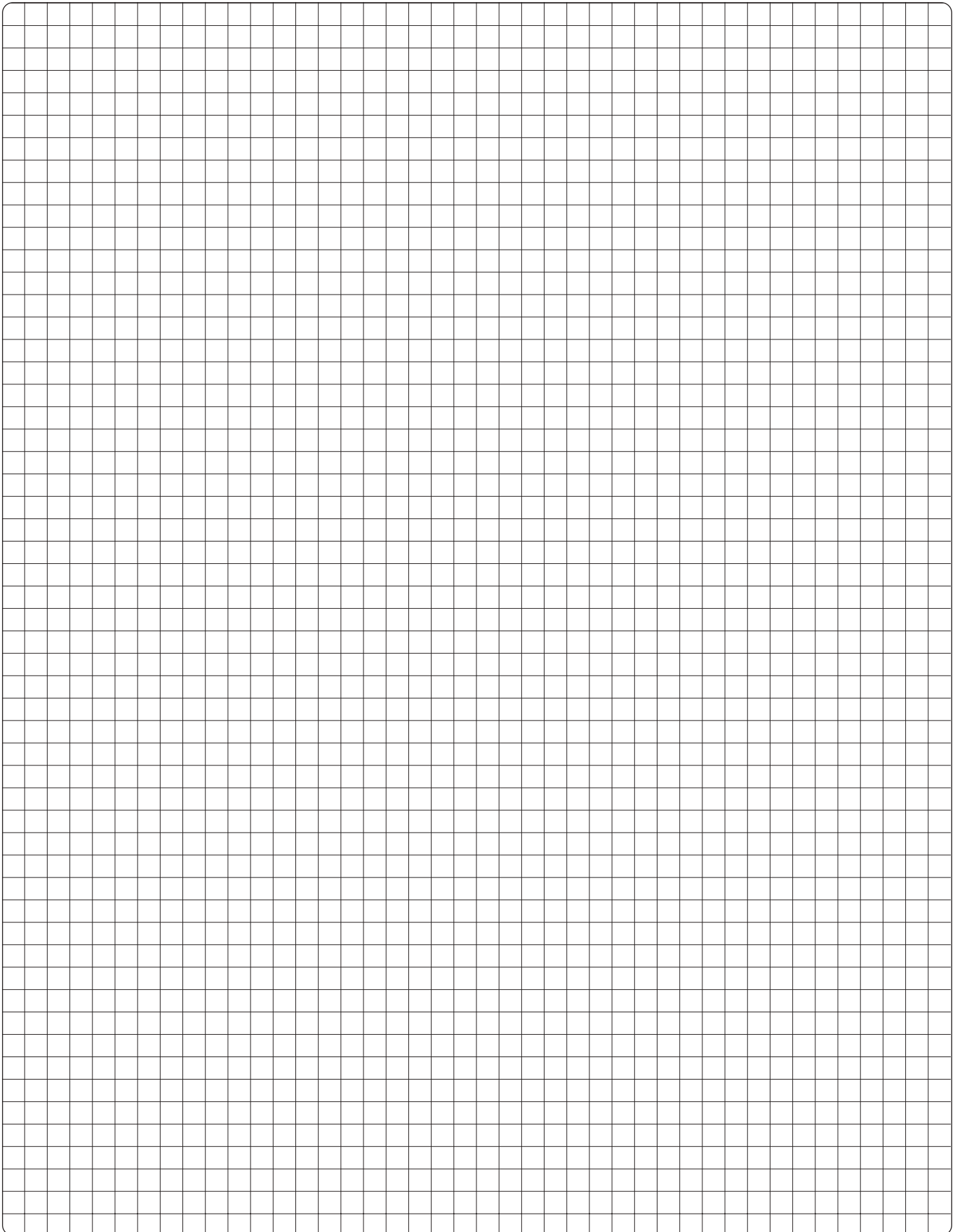
ASSEMBLY INSTRUCTIONS - P60 Frameless





# Cross-Modular Systems

NOTES



# Cross-Modular Systems

ASSEMBLY INSTRUCTIONS - P40 / P60 Frameless - 4 WAY ASSEMBLY

**220043 / 220044 / 220045**  
H1640 H2240 H2640

**4VEZTFZA008025**



x 3

ISO 7093 Ø8 Ø24

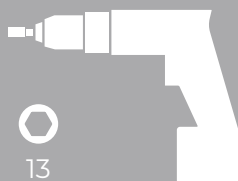


x 3



x 1

## Tools



13

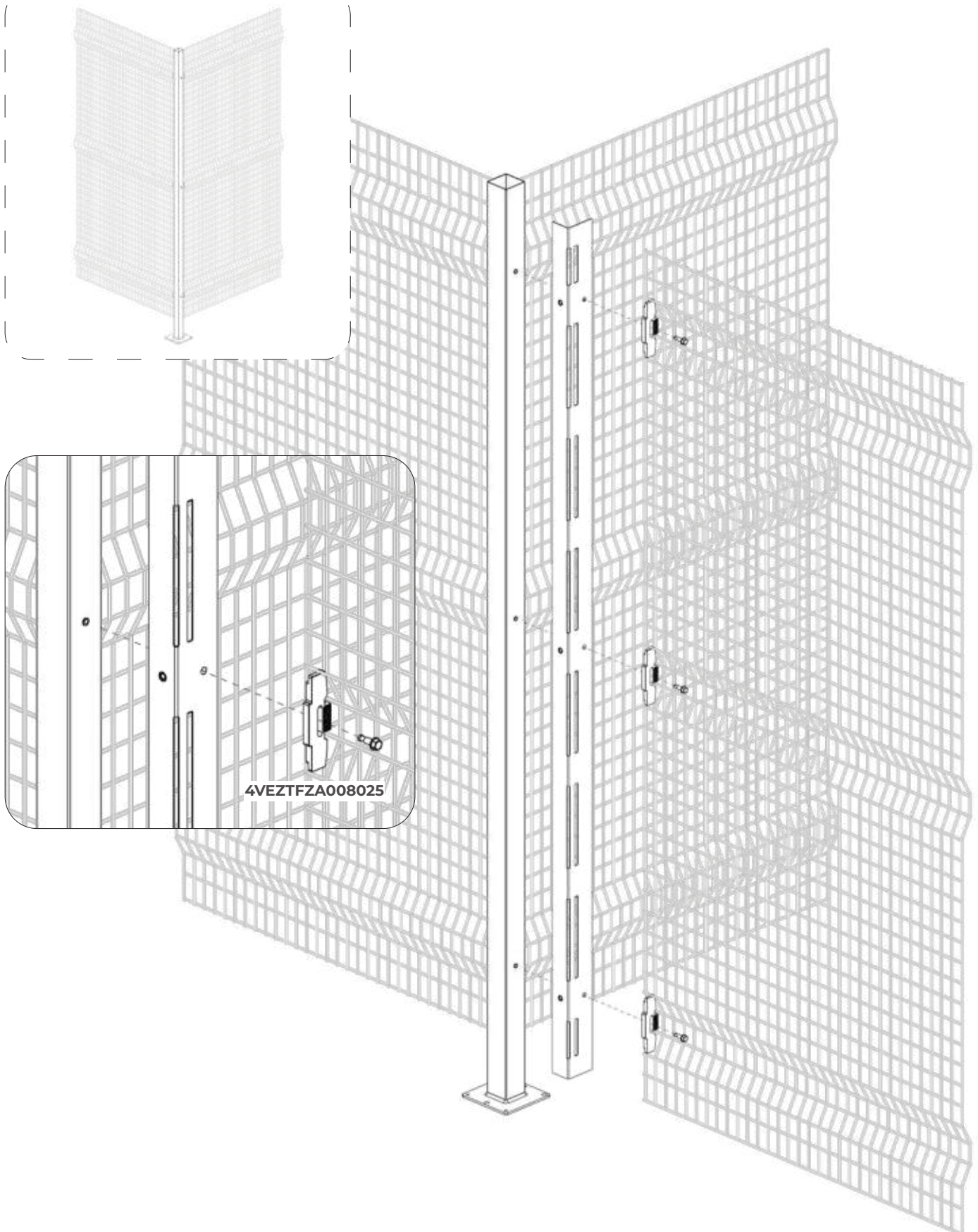


13

# Cross-Modular Systems

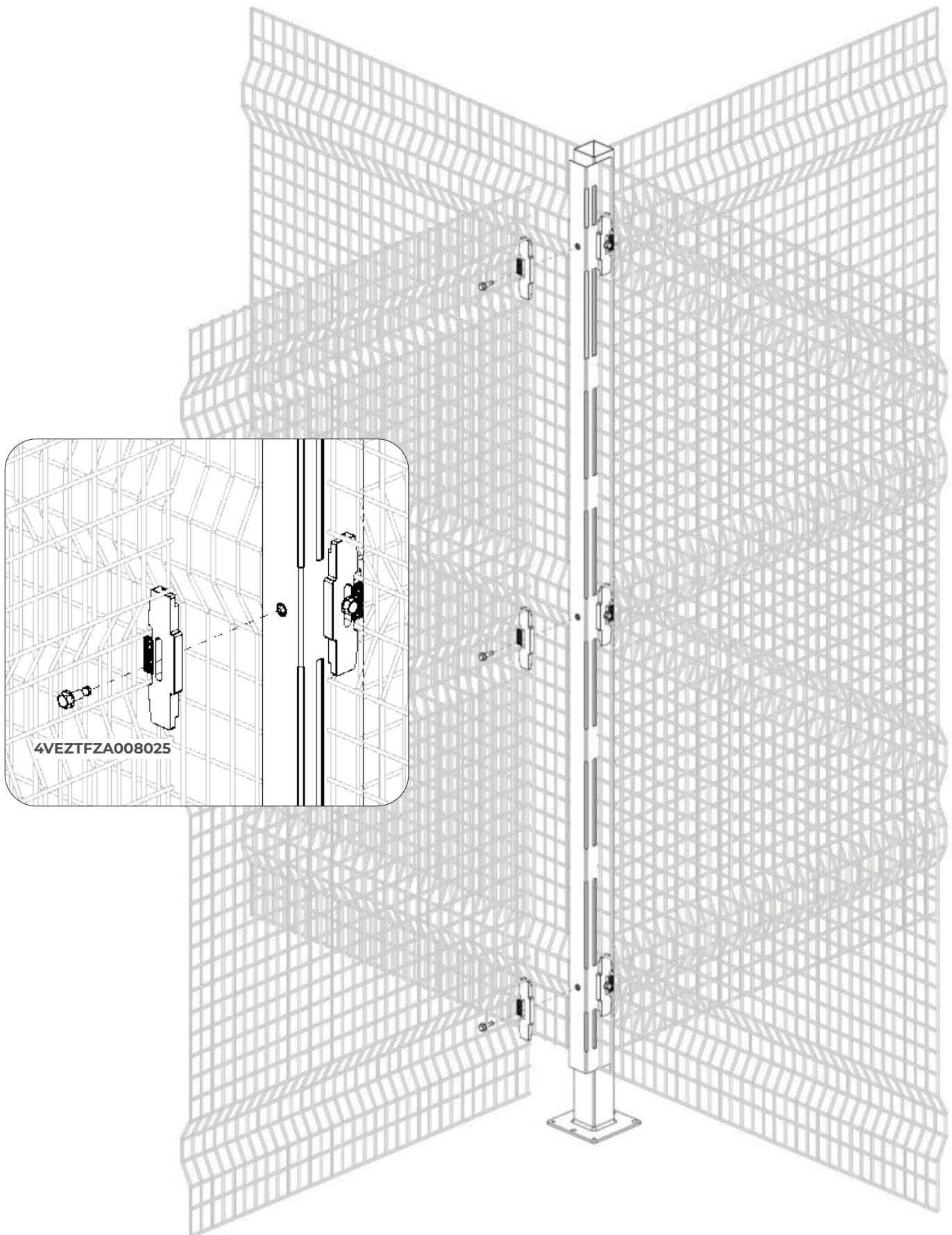
ASSEMBLY INSTRUCTIONS - P40 / P60 Frameless - 4 WAY ASSEMBLY

## ANGULAR ASSEMBLY



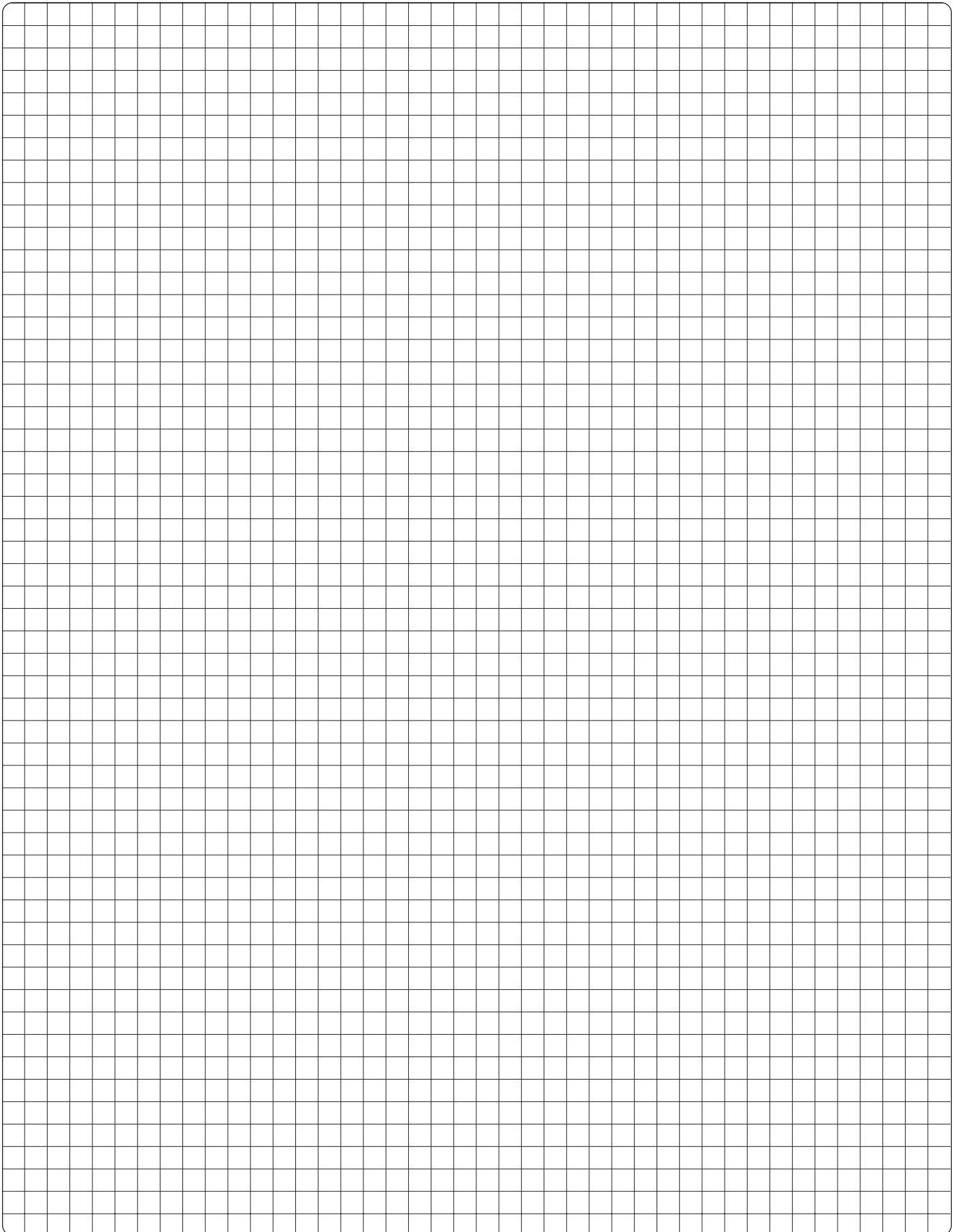
# Cross-Modular Systems

ASSEMBLY INSTRUCTIONS - P40 / P60 Frameless - 4 WAY ASSEMBLY



# Cross-Modular Systems

NOTES



# Cross-Modular Systems

ASSEMBLY INSTRUCTIONS - P50 Framed

**905050**



x1

**810027A**  
(T20)



x4

**810031**  
(T30)



x4

## 402100000000001

ISO 4017 M8 X 30



x1

ISO 7089 Ø 8



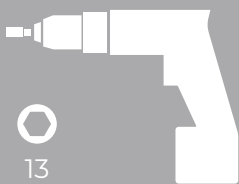
x1

**4TPTASS008075Z1**



x3

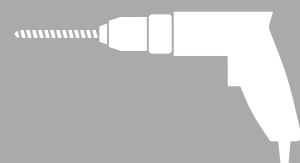
### Tools



13

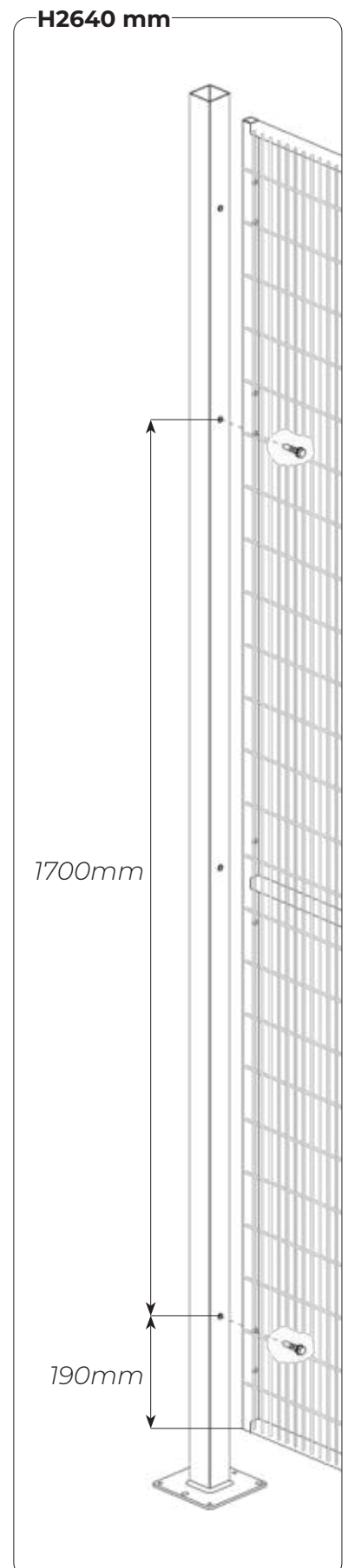
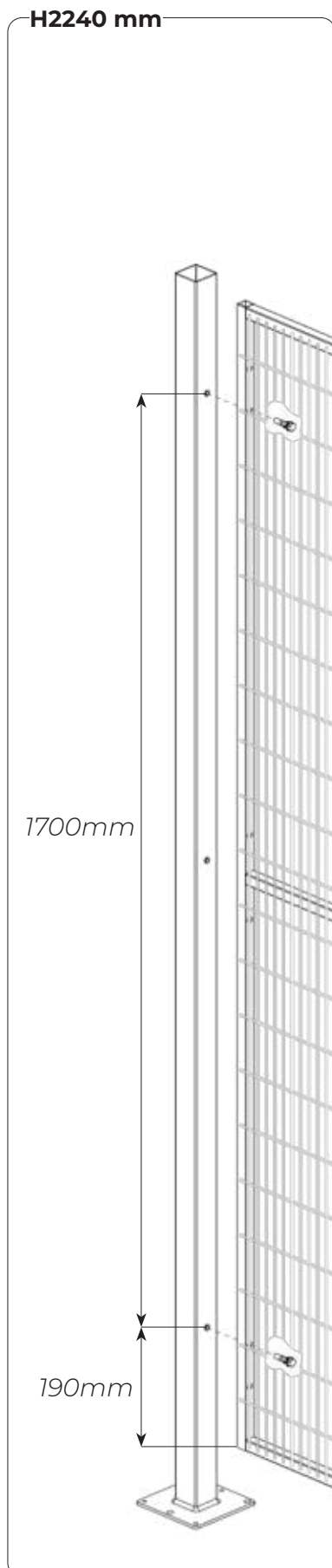
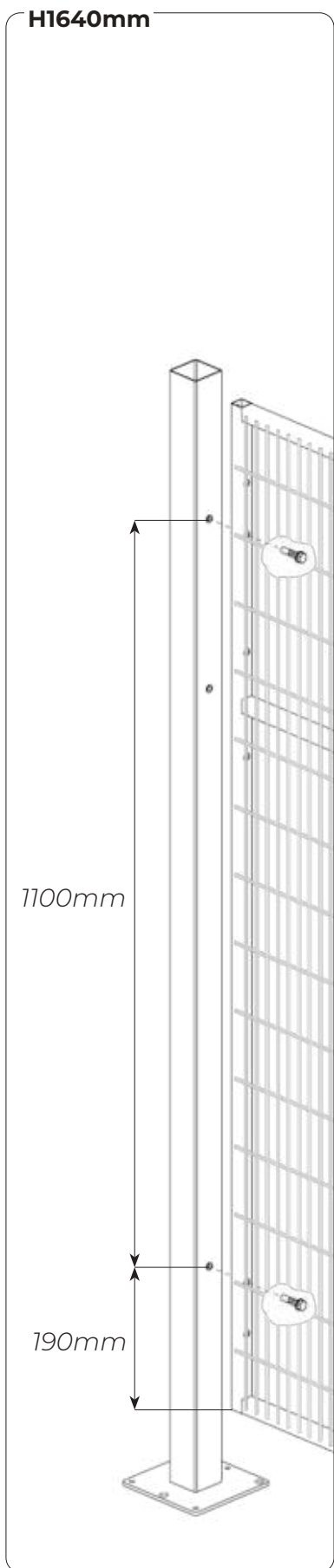


13



# Cross-Modular Systems

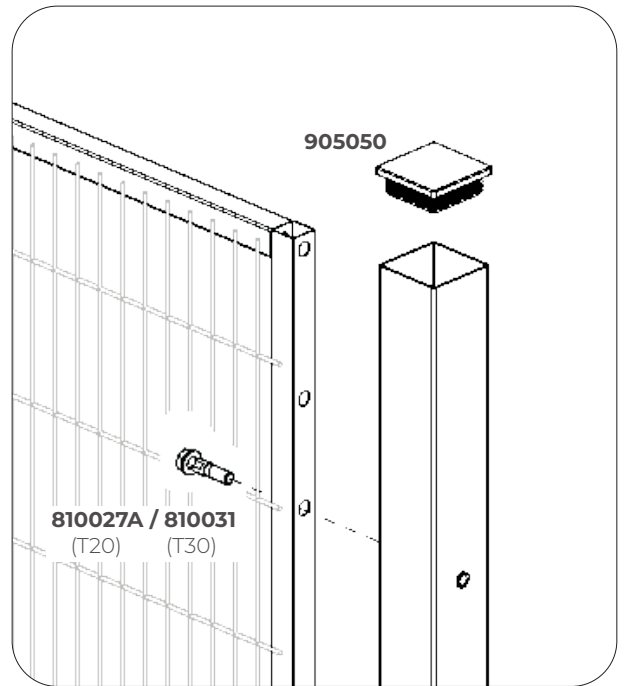
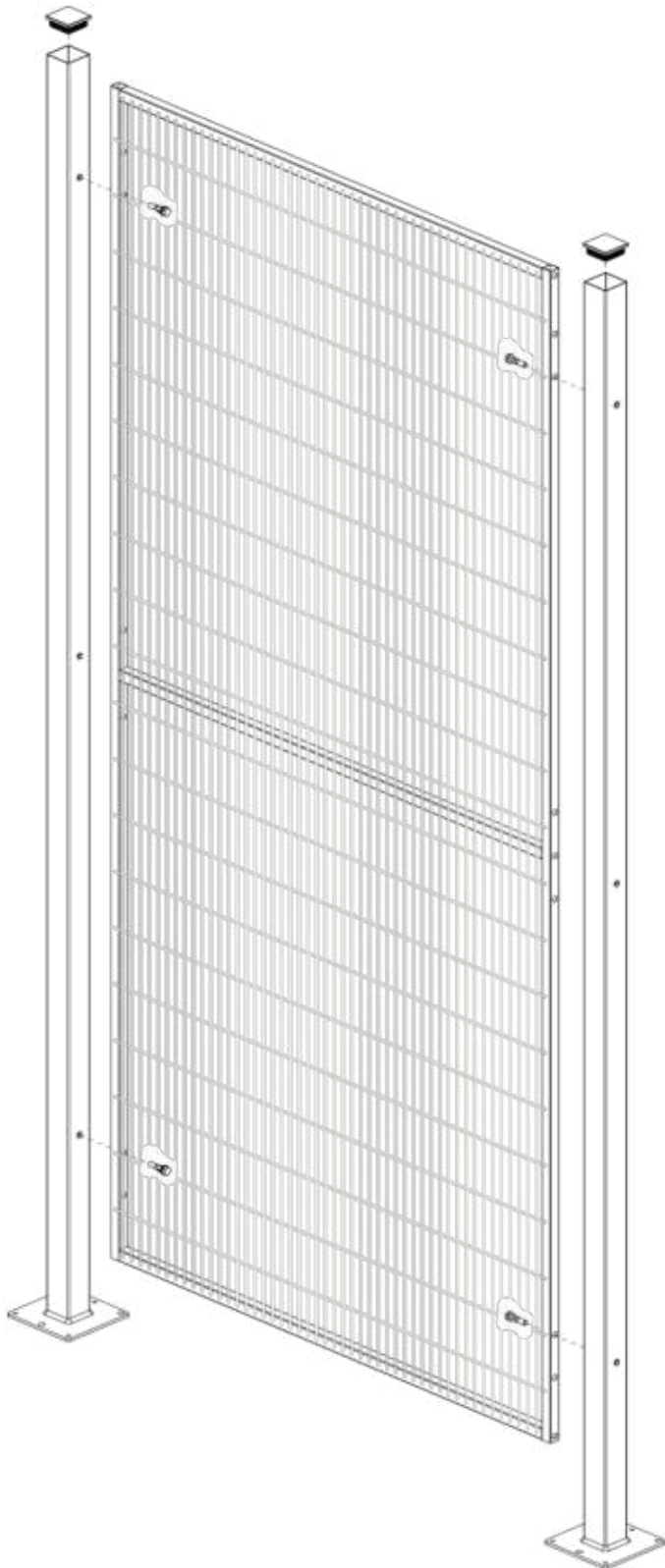
ASSEMBLY INSTRUCTIONS - P50 Framed





# Cross-Modular Systems

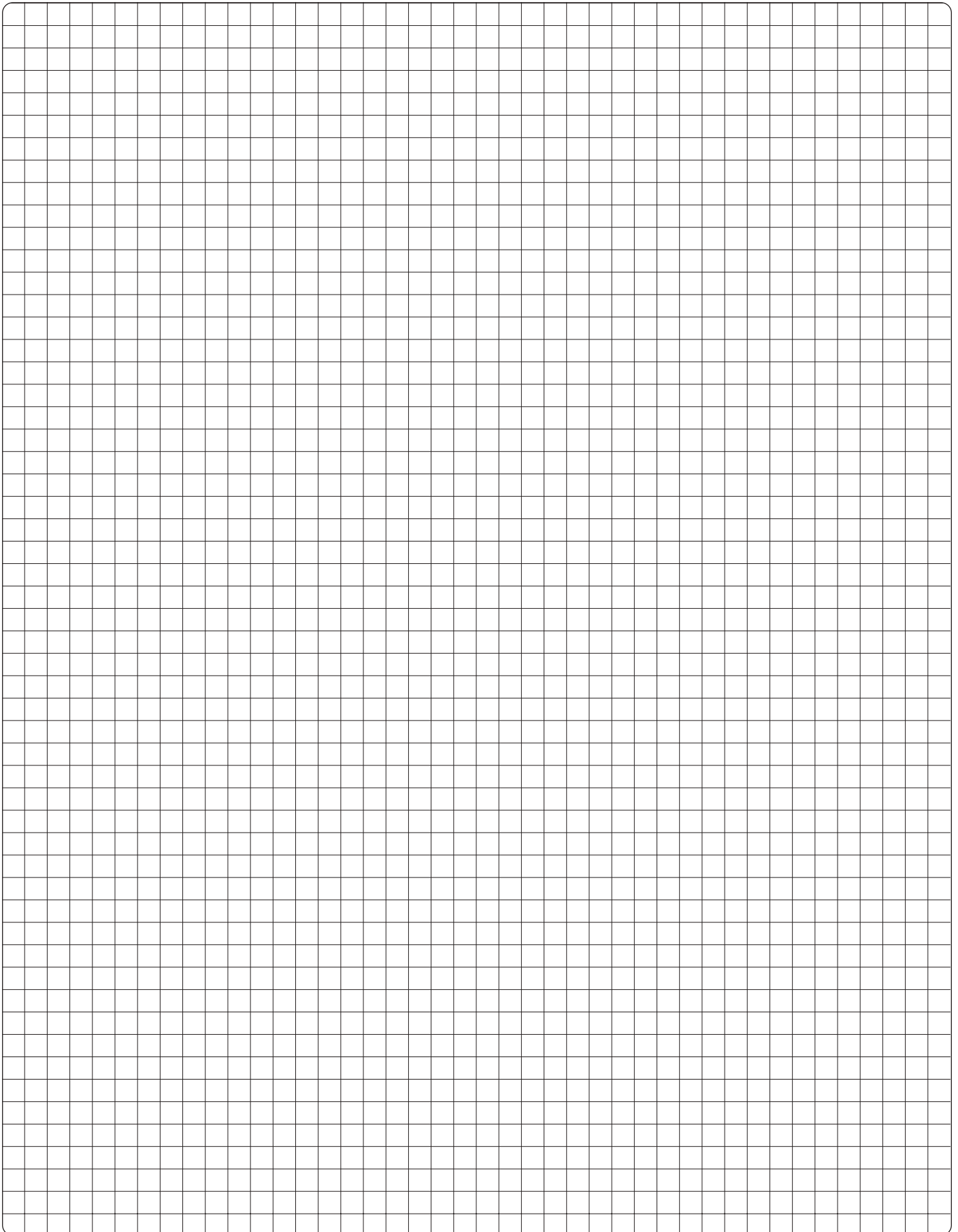
ASSEMBLY INSTRUCTIONS - P50 Framed





# Cross-Modular Systems

NOTES

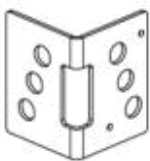


# Cross-Modular Systems

ASSEMBLY INSTRUCTIONS - P50 Framed - 4 WAY ASSEMBLY

## 402100000000009

220700



x 2

810027A



x 2

810031



x 2

ISO 10642 M8 X 50



x 4

ISO 4017 M8 X 50



x 2

ISO 4017 M8 X 20



x 2

ISO 7089 Ø8



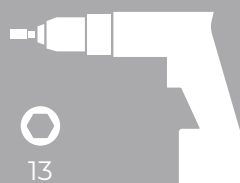
x 2

4DC900160007AZI



x 4

### Tools



13

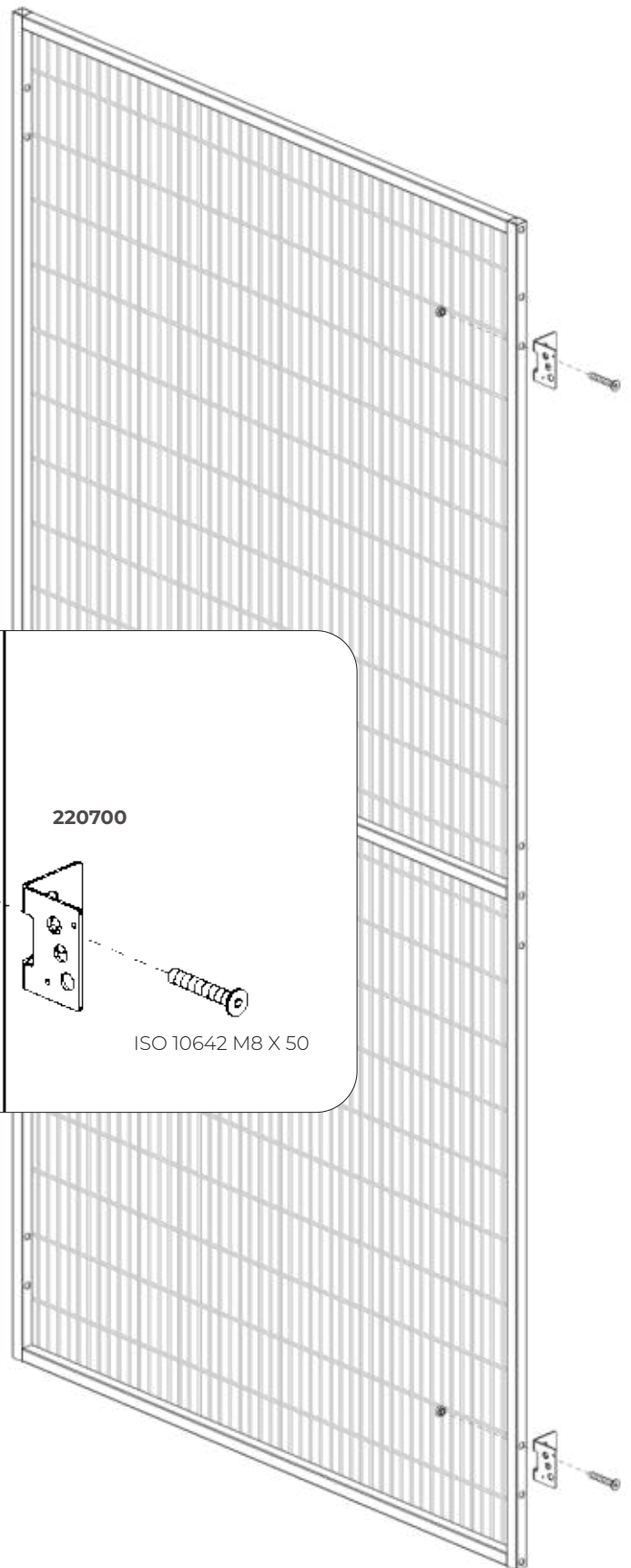
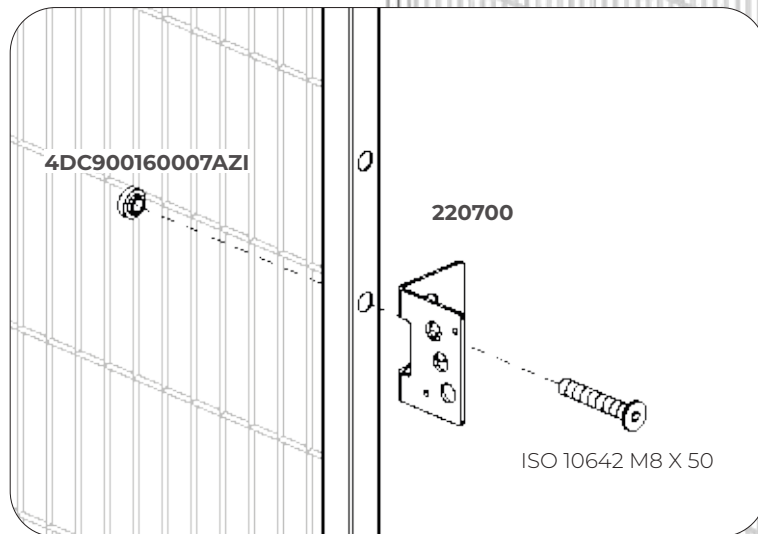
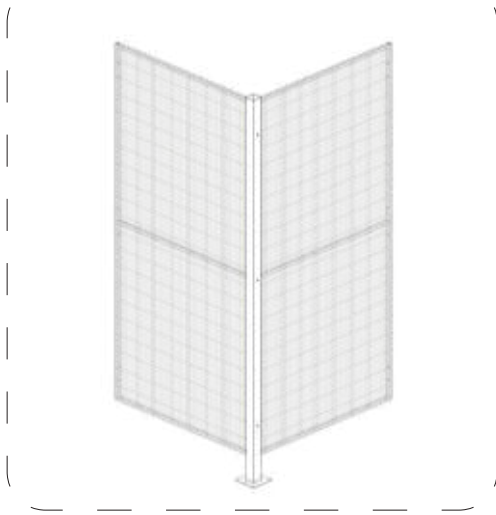


13

# Cross-Modular Systems

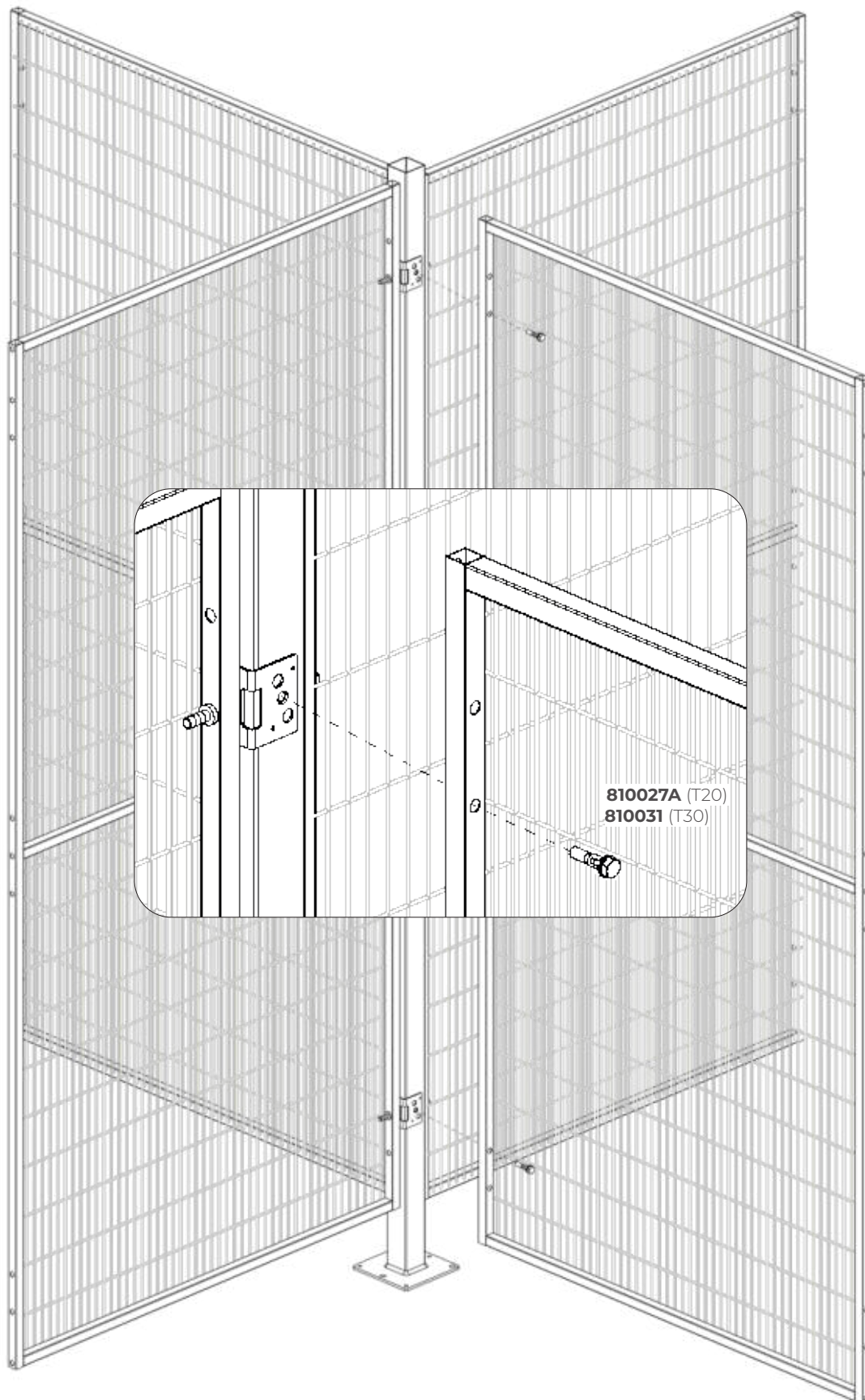
## ASSEMBLY INSTRUCTIONS - P50 Framed - 4 WAY ASSEMBLY

### ANGULAR ASSEMBLY



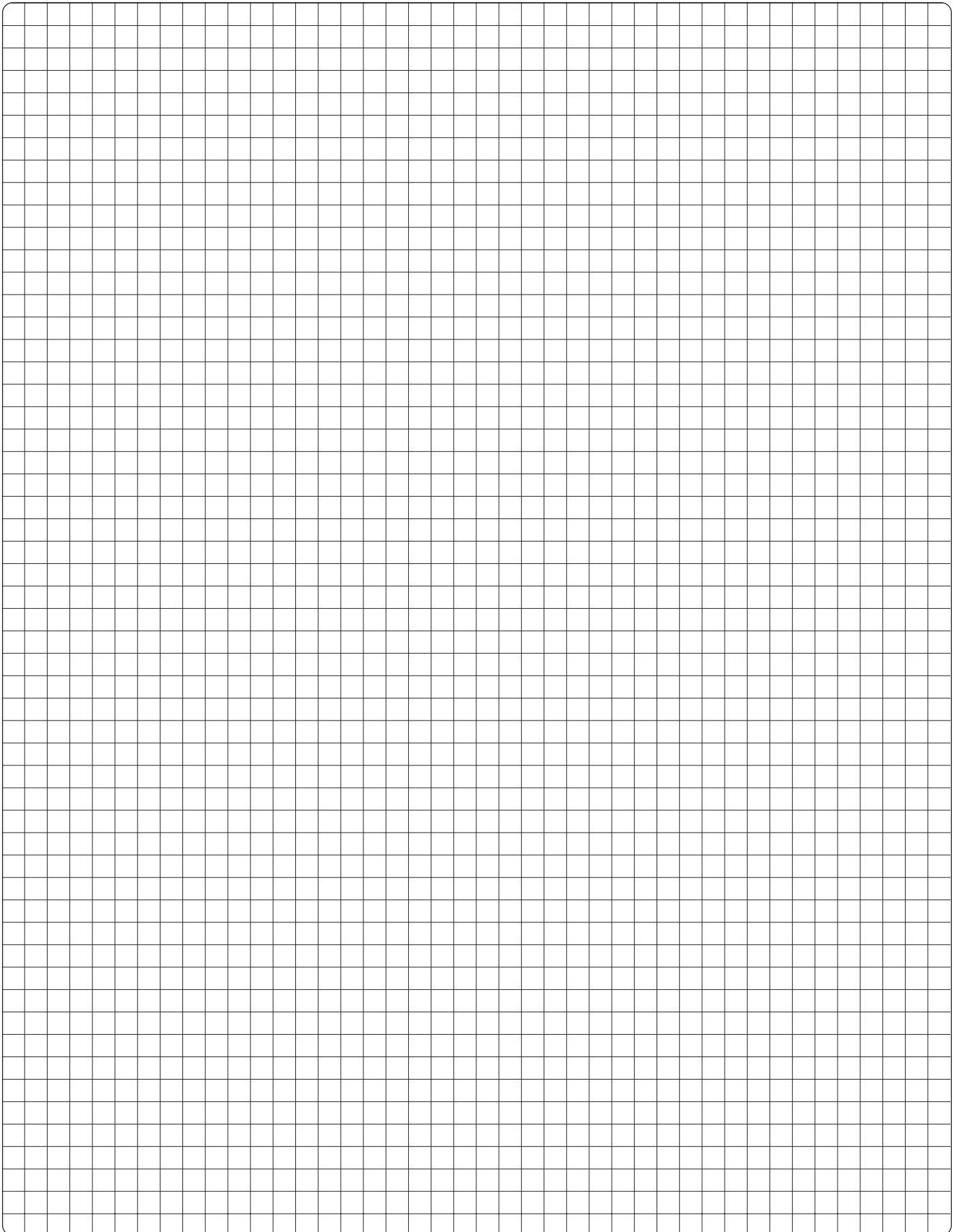
# Cross-Modular Systems

ASSEMBLY INSTRUCTIONS - P50 Framed - 4 WAY ASSEMBLY



# Cross-Modular Systems

NOTES



# Modular Machine Guards that fit your needs.

Tailor-made solutions for the safety of operators and machinery



Protecting workers and machinery is paramount to create a safe and productive work environment. Satech Modular Machine Guards Systems, Doors and Accessories provide tailor-made solutions for any machinery layout need.

**3 framed Systems, 2 frameless Systems** and **more than 150 Locks/Interlocks** ensure the maximum level of protection (PL) when accessing hazard areas for inspection or machinery maintenance.

## Perimeter Protection Machine Safety Guards compliant with European and International Standards

Satech Machine Guards are manufactured in compliance with the **EN ISO 14120** standard, "General requirements for the design and construction of fixed and movable guards". They can be installed at a minimum distance of **120 mm from hazard** (as for EN ISO 13857), saving you plenty of layout space.

All Satech products are manufactured with **quality materials** and are highly durable. Mesh panels and other panel solutions can be easily and rapidly connected to posts (with captive retained fastenings, as for 2006/42/CE - Machinery Directive), which allows you to greatly **reduce assembly time**.

Founded in 2000, Satech was the first Italian Perimeter Guards Manufacturer. A **modern international company** today, in our 20+ years of work we have taken care of the safety of thousands of automated machinery systems and of millions of people worldwide. A **Safe Factory** is a **Productive One**.



## Need help with this manual?

If you need additional specs, tips or manuals, please call our **Customer Service** at

**+39 031 86230 85**

**SATECH**  
Modular Machine Guards

Satech Safety Technology SpA

Via Conte Taverna, 1  
I-23892 Bulciago (LC)  
Phone +39 031 86230 11



CERTIFIED  
ISO 9001  
ISO 14001  
ISO 45001

