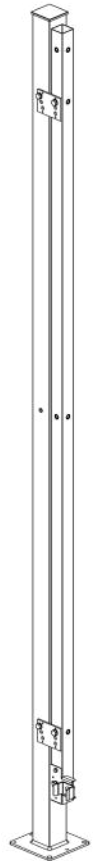
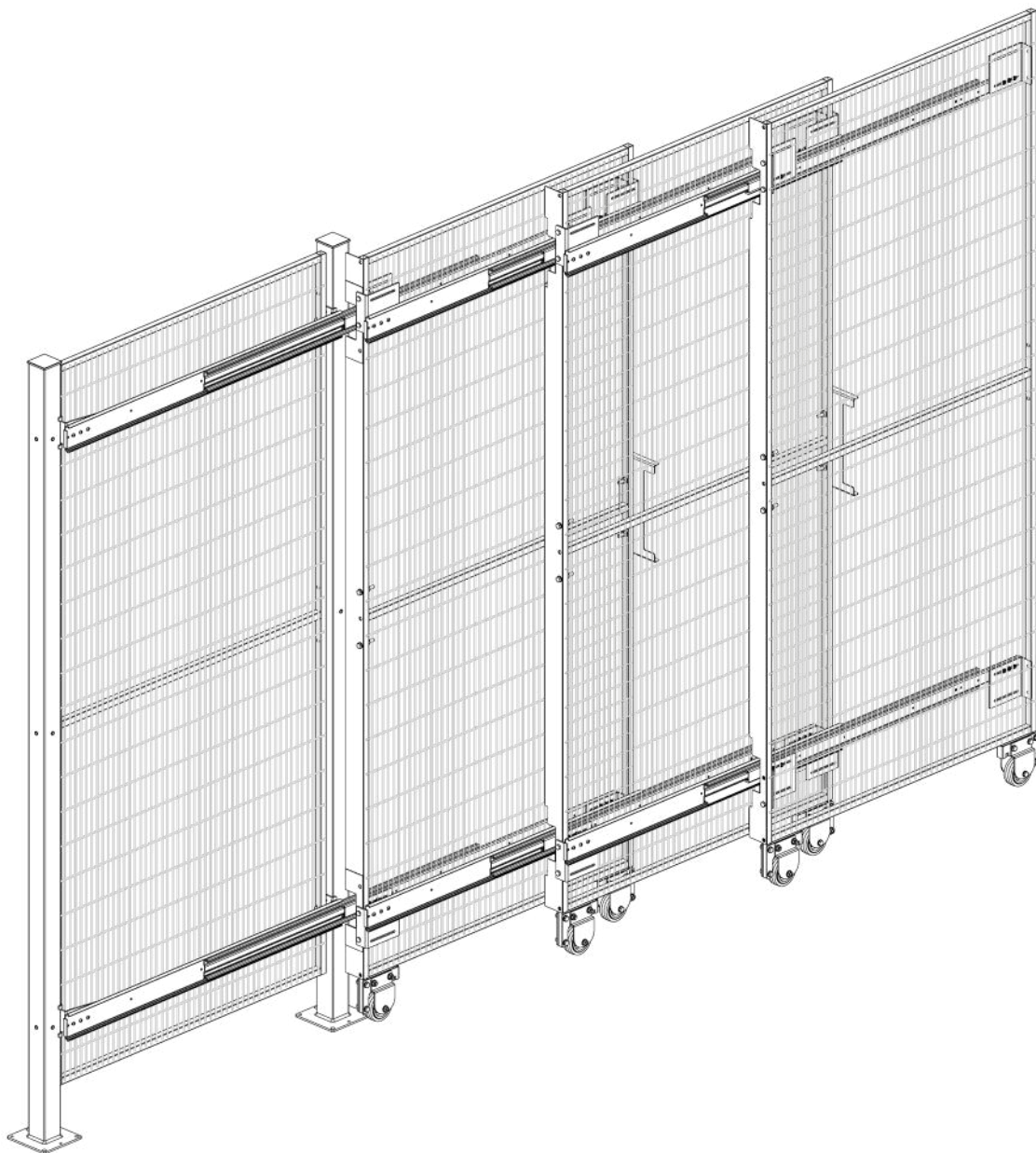
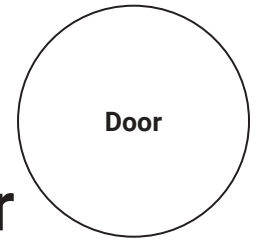


TRIPLE STAGE

# Single Open Passage TX Sliding Door

ASSEMBLY INSTRUCTIONS



# Single Open Passage TX Triple-Stage Sliding Door

## ASSEMBLY INSTRUCTIONS

**7BINTX**



x 6

**220543**



x 3

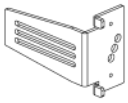
**220523**



x 1

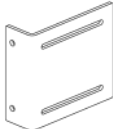
### 403000000000010

**220540**



x 4

**220541**



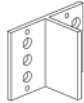
x 4

**220545**



x 2

**220514**



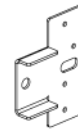
x 2

**690036**



x 1

**220511A**



x 1

### 400100000000005 X2

ISO 4017 M8 x 50



x 10

ISO 7380 M5 x 12



x 11

ISO 7089 Ø8



x 10

ISO 4161 M8



x 4

ISO 4161 M5



x 11

### 400100000000006

ISO 4017 M8 X 20



x 5

ISO 10642 M8 X 20



x 1

ISO 7089 Ø8



x 5

ISO 7093/2 Ø8



x 2

ISO 15480 Ø4.8 X 16



x 3

ISO 4161 M8



x 4

### 401100000000006 X2

**220531**



x 1

**220530**



x 1

**7RTGOMMA**



x 1

**220532**



x 2

### 400100000000002

ISO 4017 M8 X 60



x 2

ISO 4017 M8 X 40



x 2

ISO 4017 M8 X 30



x 2

ISO 7089 Ø8



x 5

ISO 4161 M8

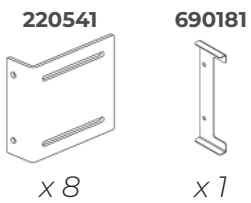


x 5

# Single Open Passage TX Triple-Stage Sliding Door

## ASSEMBLY INSTRUCTIONS

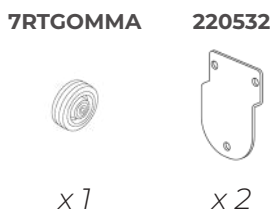
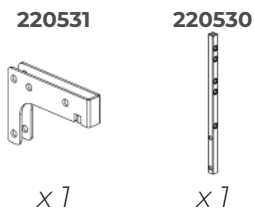
### 403000000000020 X2



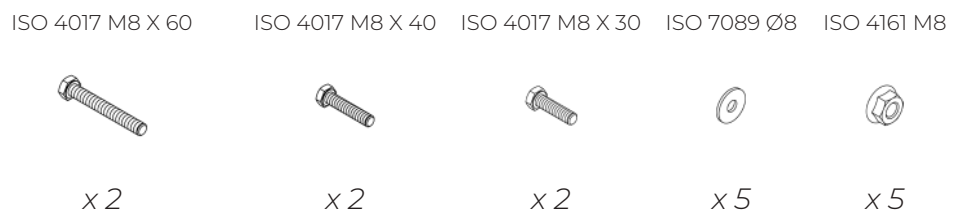
### 400100000000005 X2



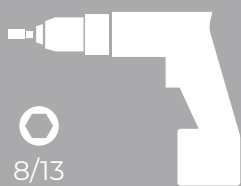
### 401100000000006 X2



### 400100000000002

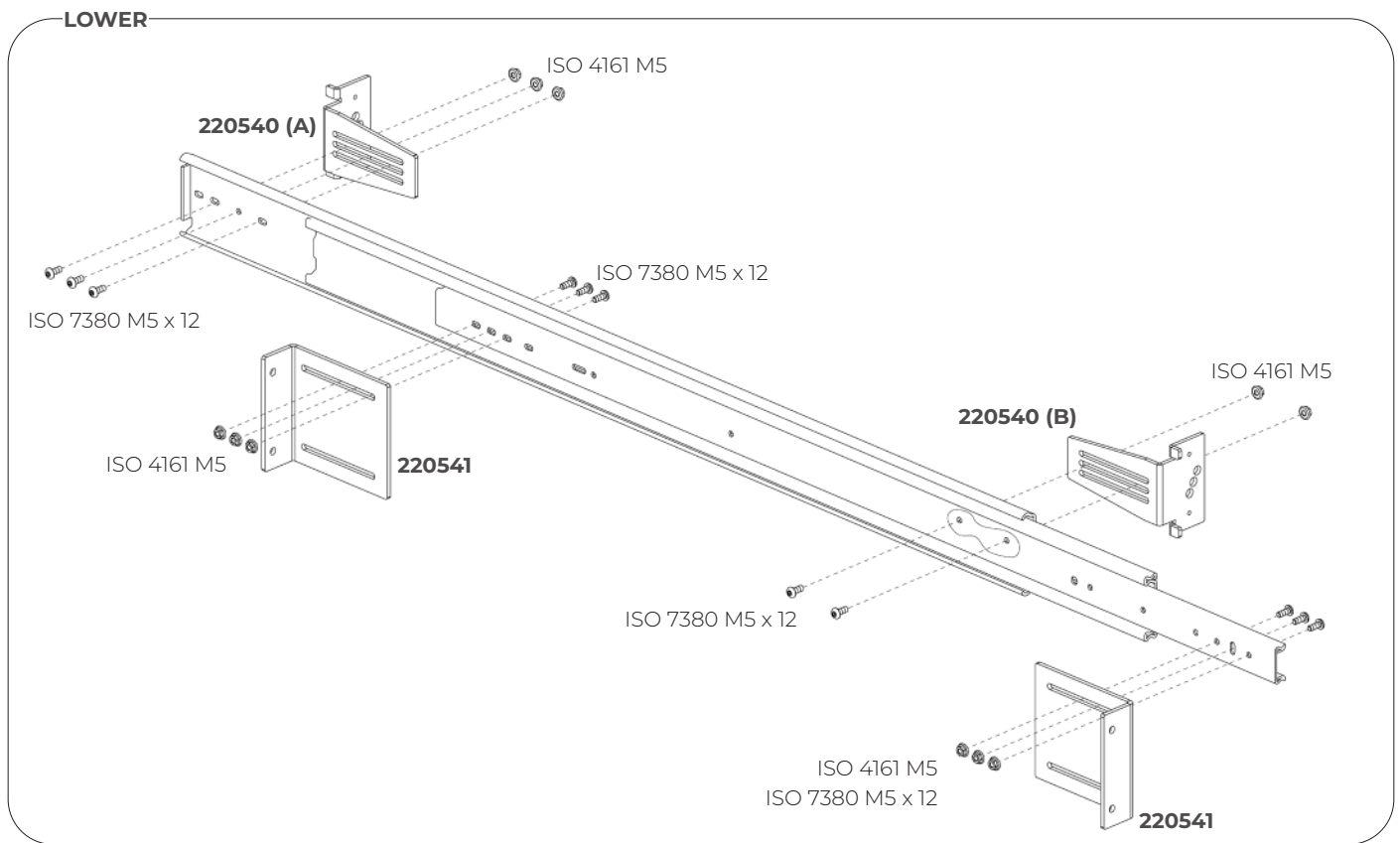
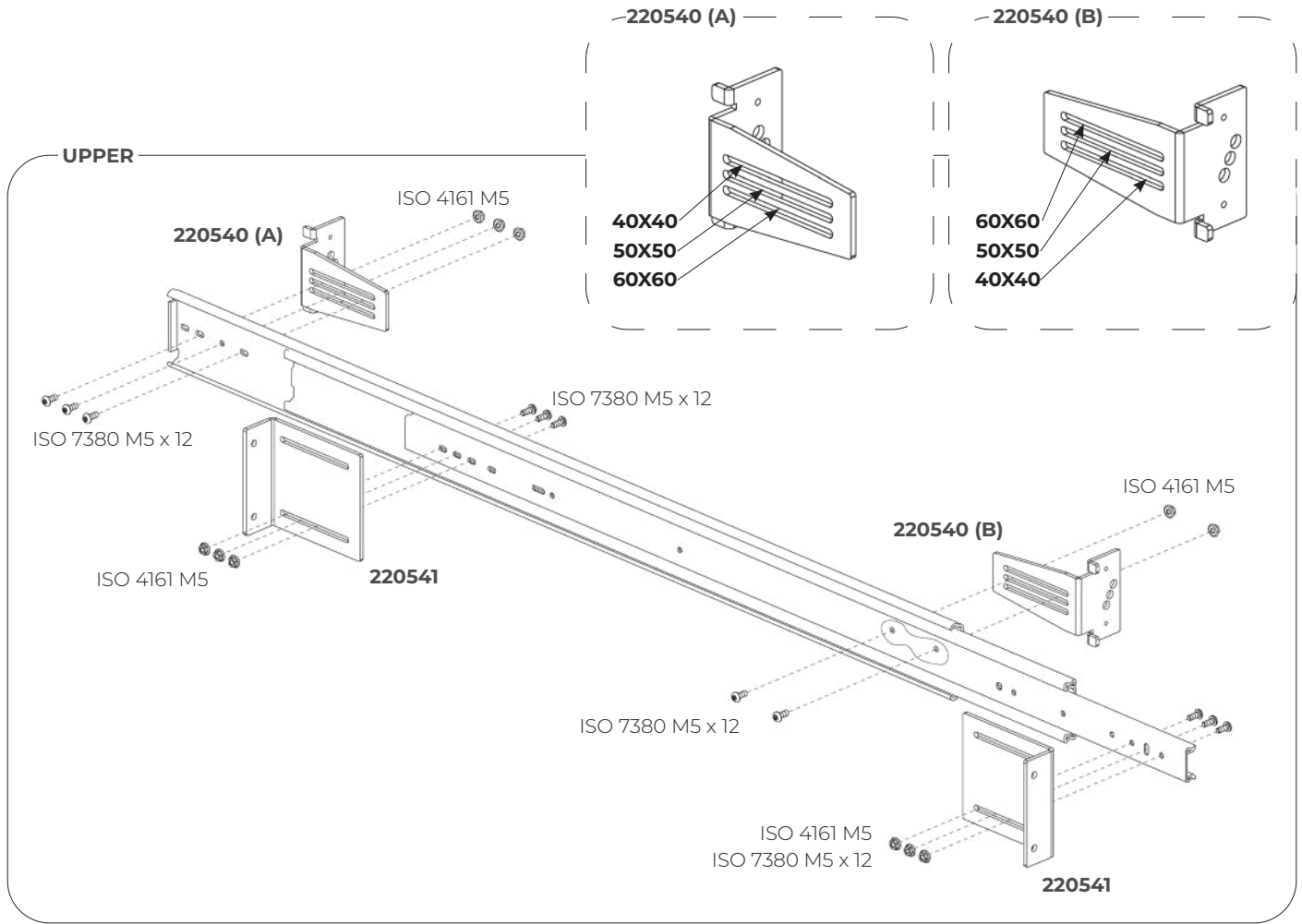


### Tools



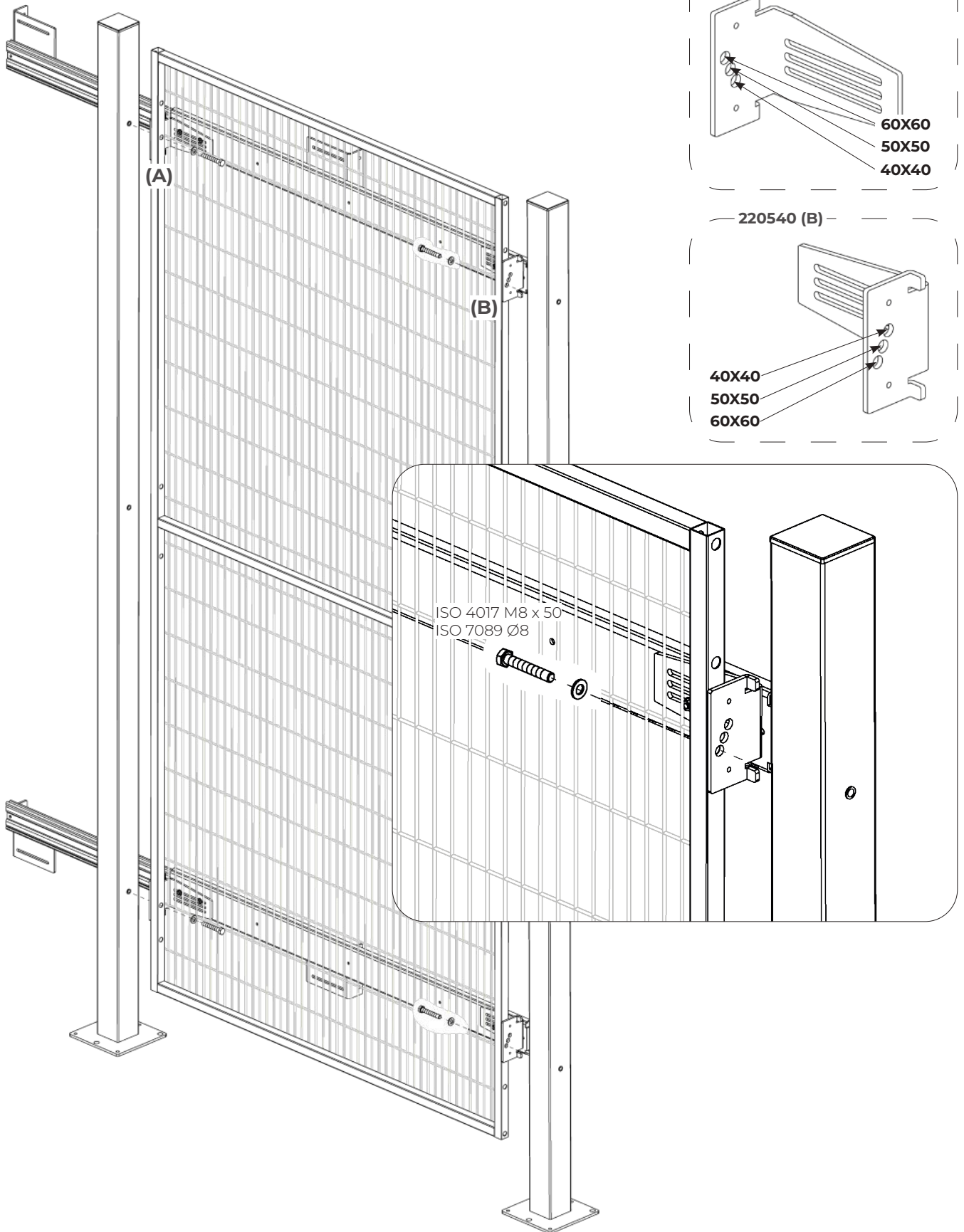
# Single Open Passage TX Triple-Stage Sliding Door

## ASSEMBLY INSTRUCTIONS



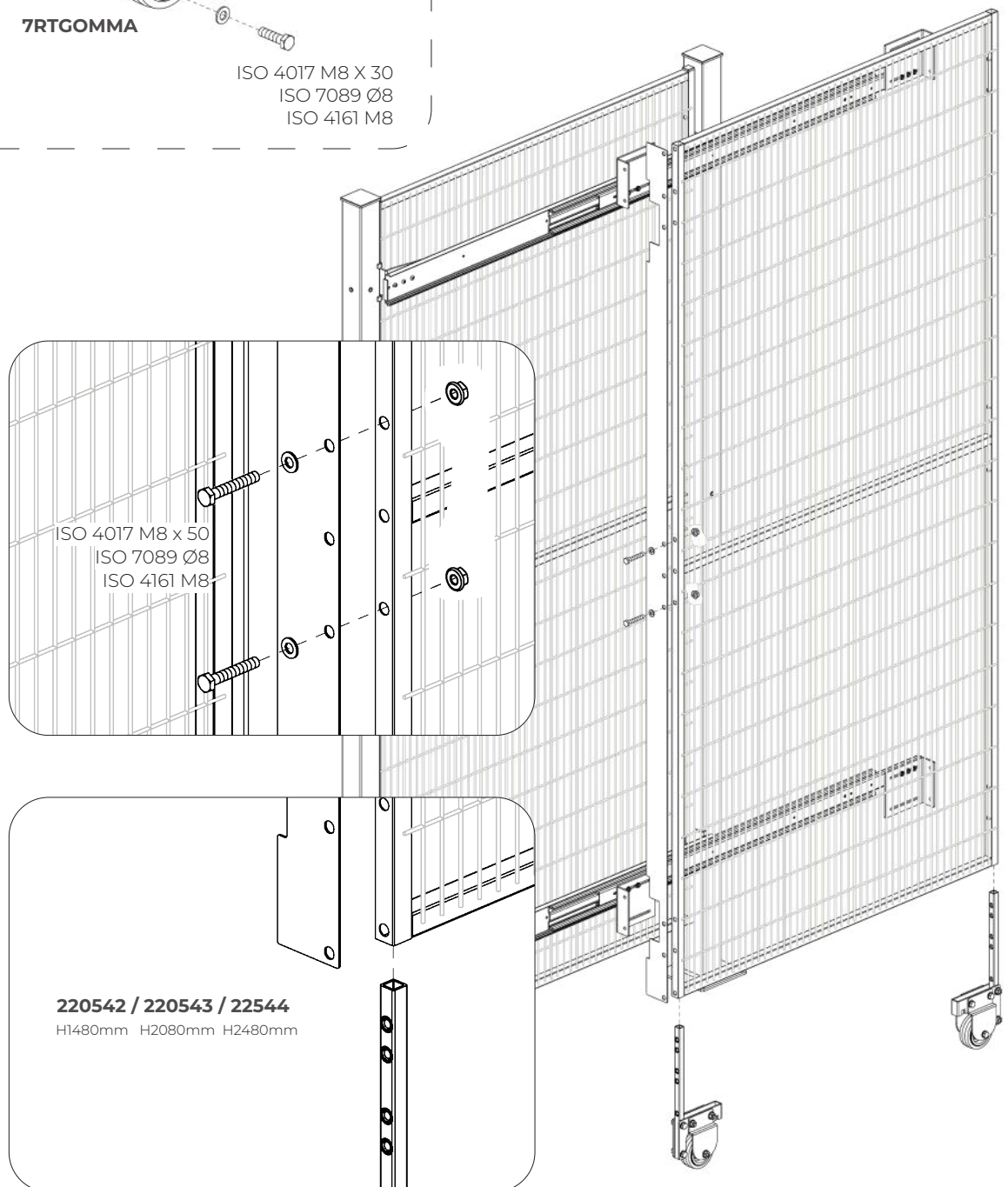
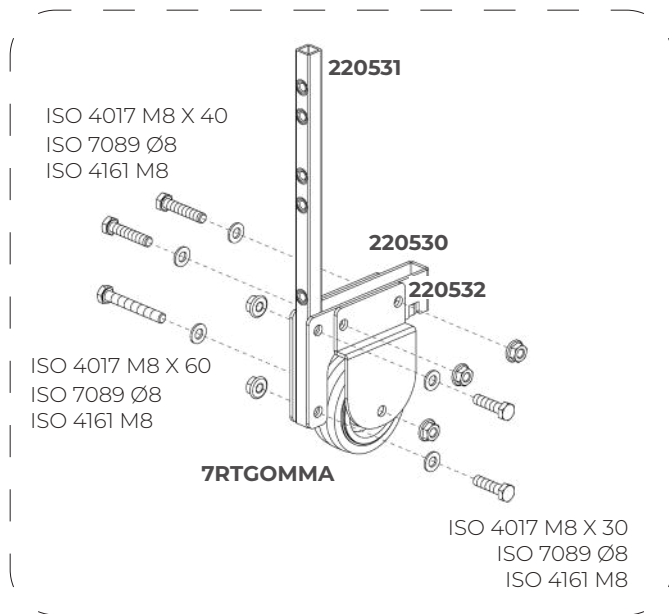
# Single Open Passage TX Triple-Stage Sliding Door

ASSEMBLY INSTRUCTIONS



# Single Open Passage TX Triple-Stage Sliding Door

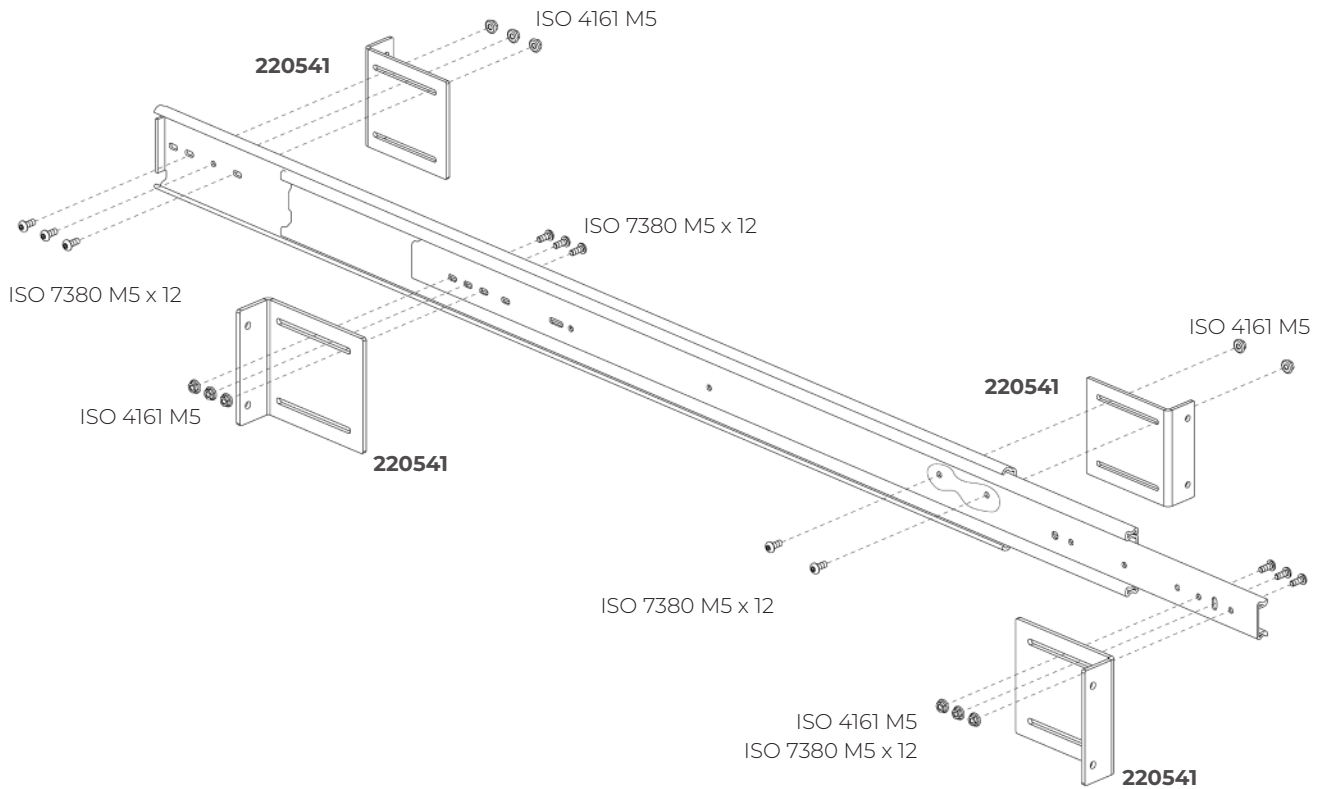
## ASSEMBLY INSTRUCTIONS



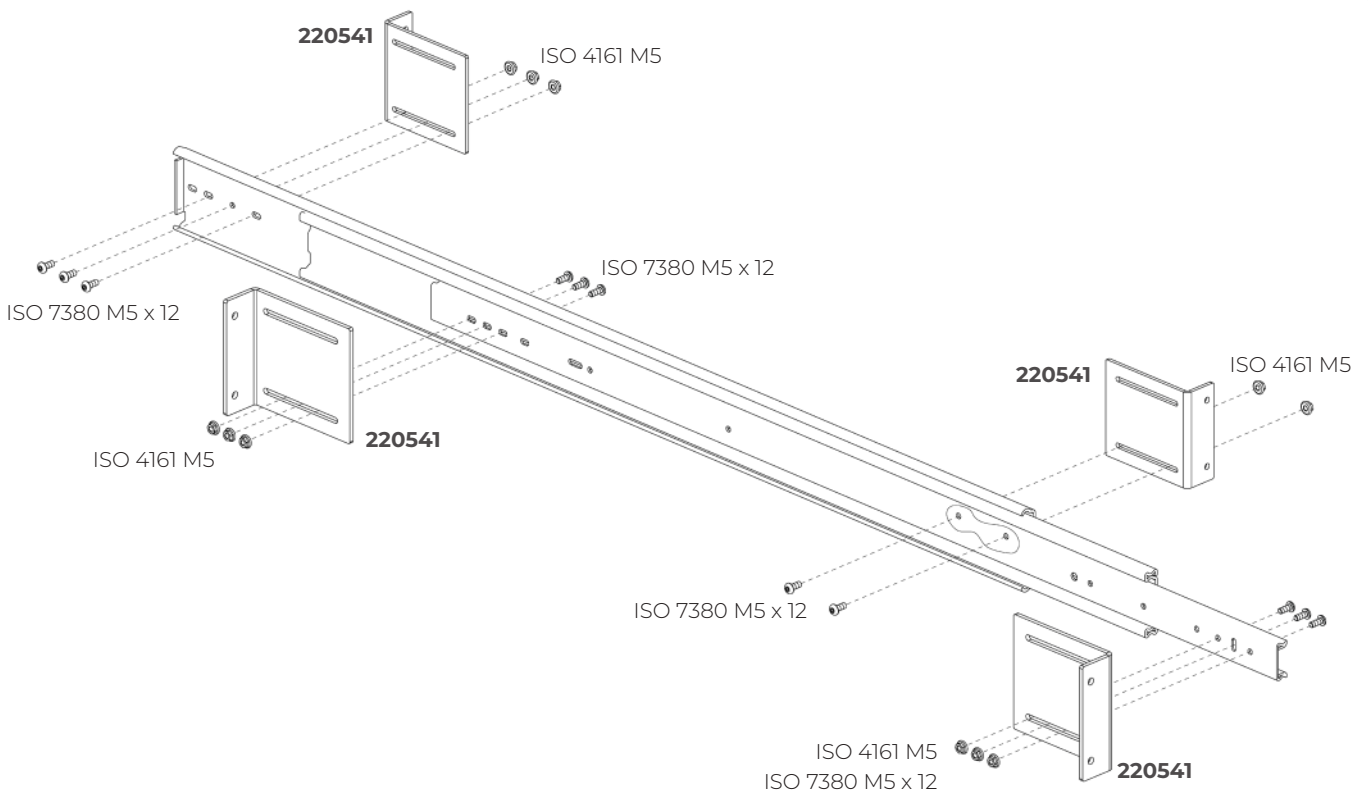
# Single Open Passage TX Triple-Stage Sliding Door

ASSEMBLY INSTRUCTIONS

## UPPER



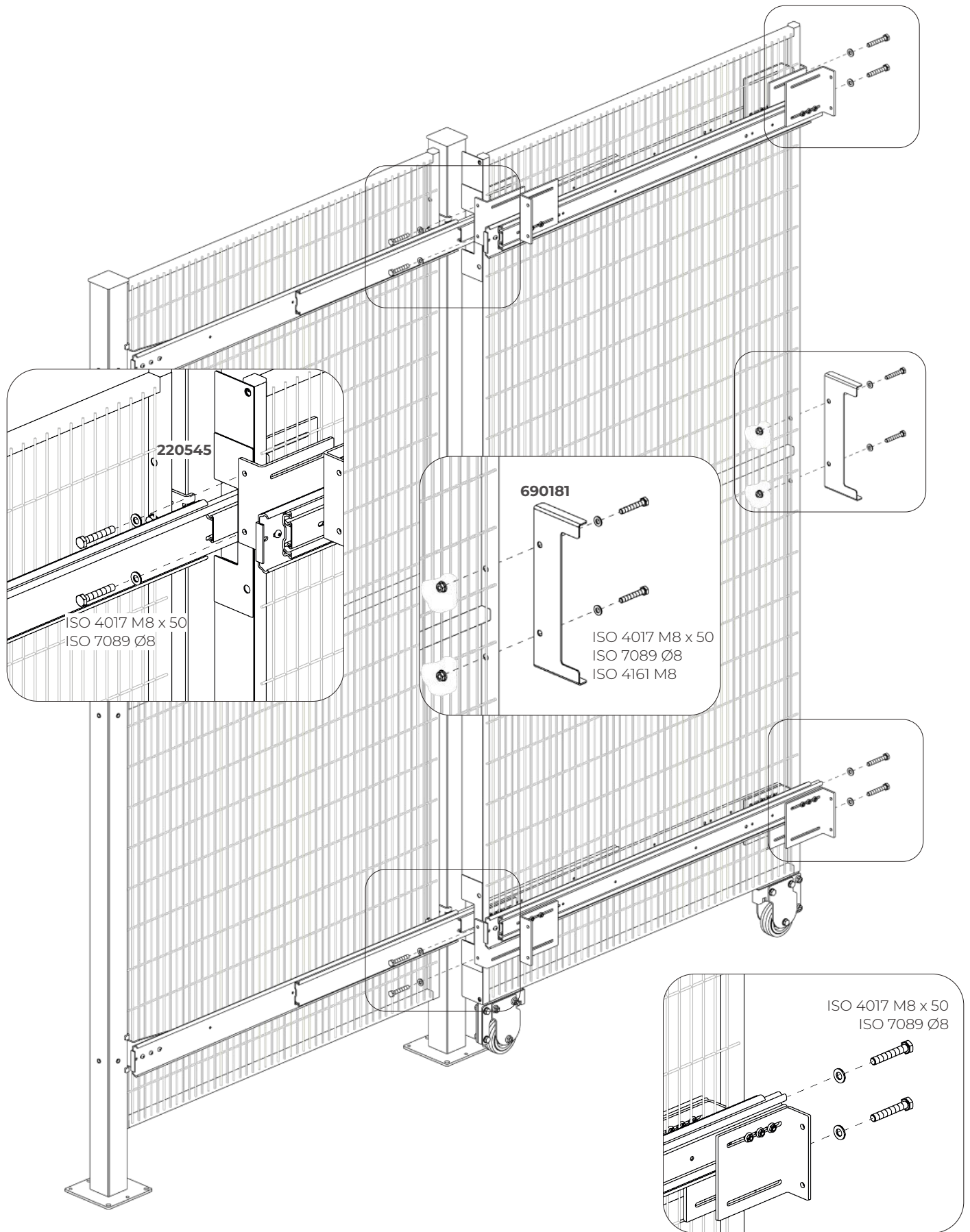
## LOWER





# Single Open Passage TX Triple-Stage Sliding Door

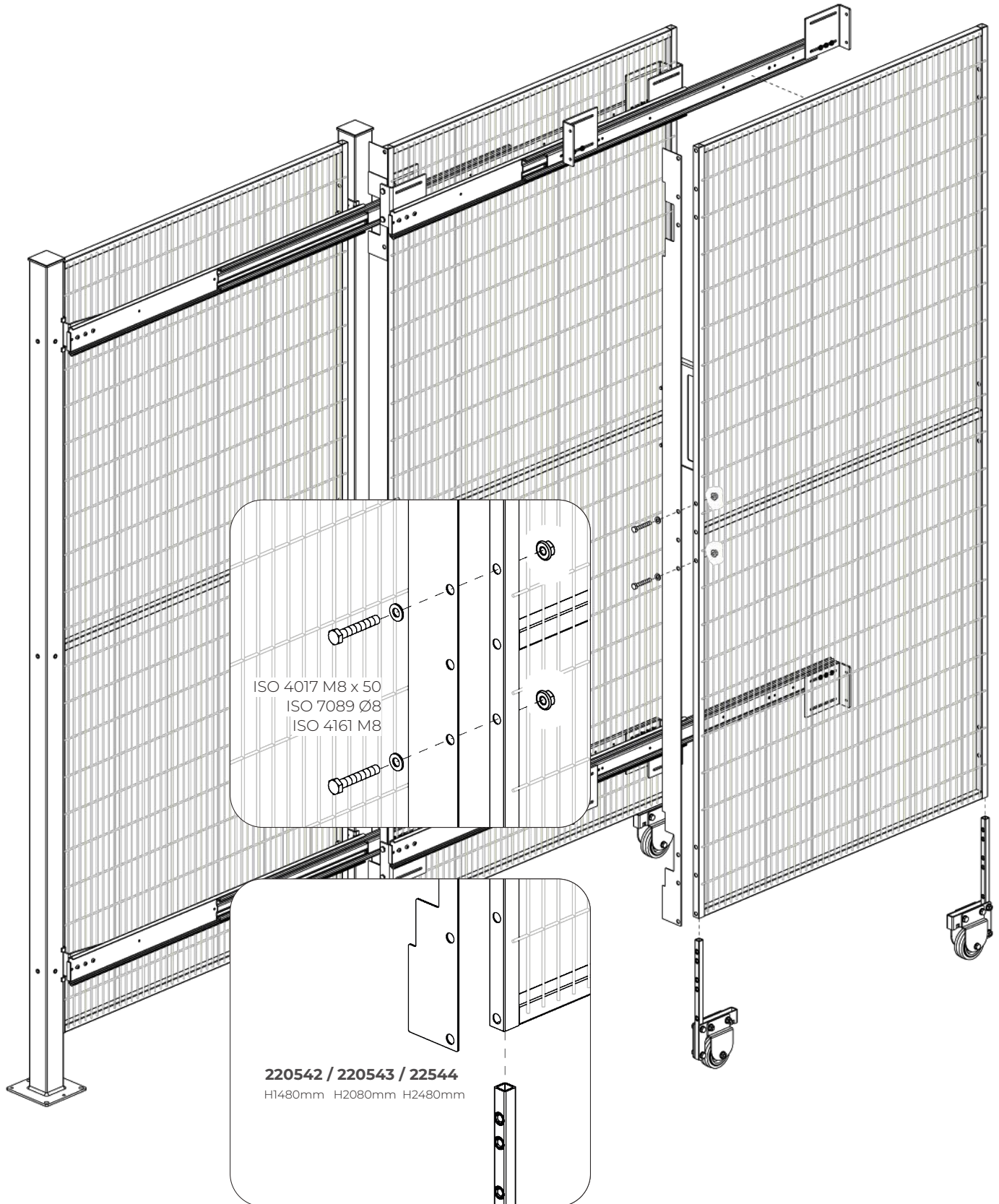
ASSEMBLY INSTRUCTIONS





# Single Open Passage TX Triple-Stage Sliding Door

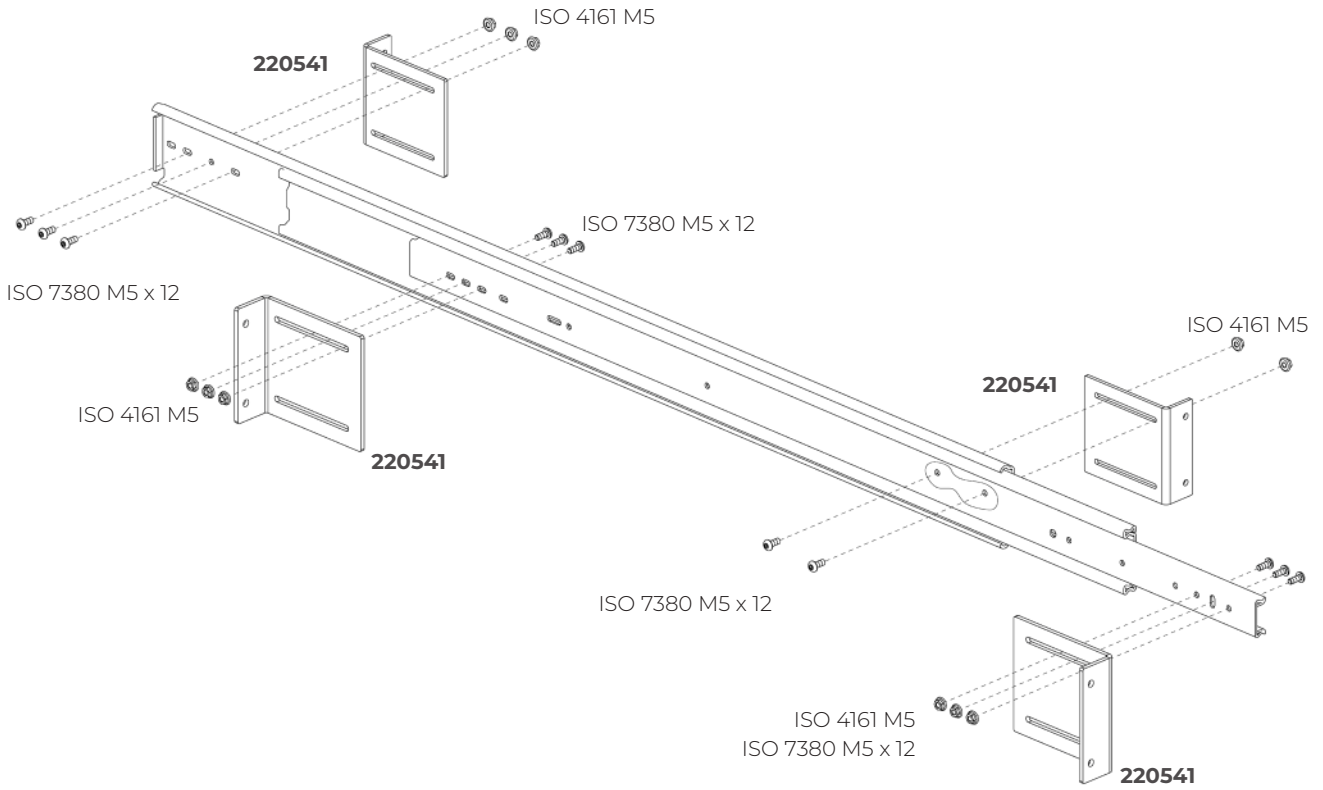
## ASSEMBLY INSTRUCTIONS



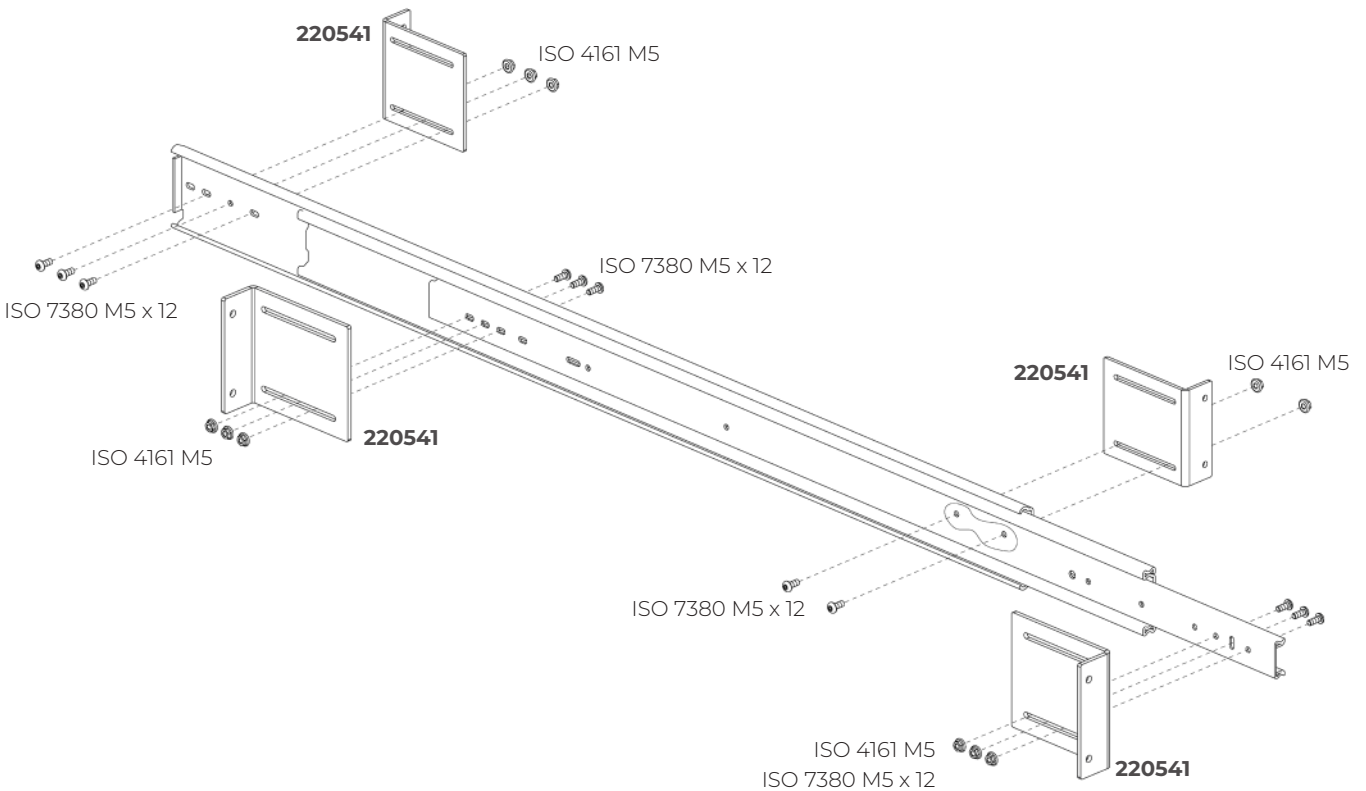
# Single Open Passage TX Triple-Stage Sliding Door

ASSEMBLY INSTRUCTIONS

## UPPER

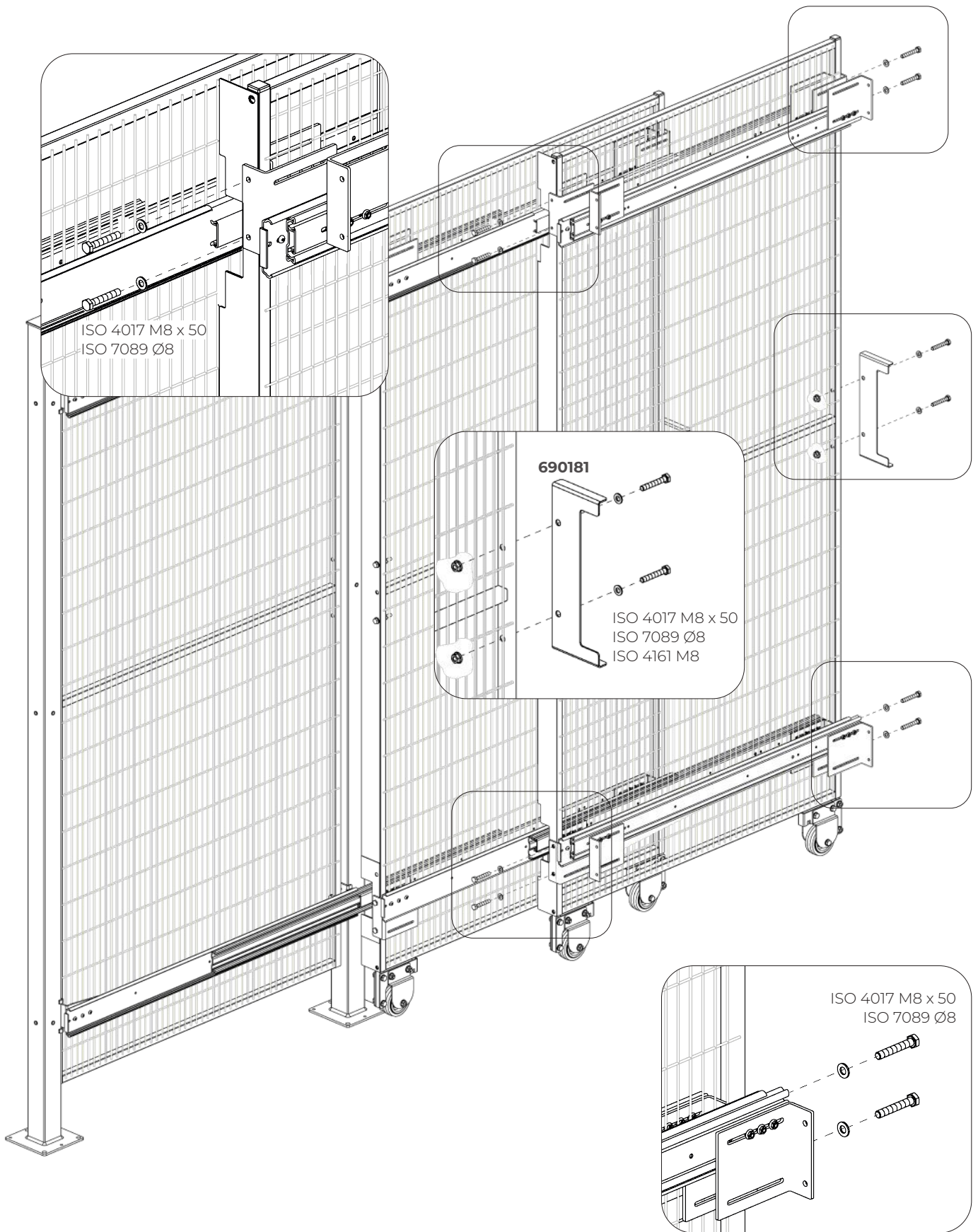


## LOWER



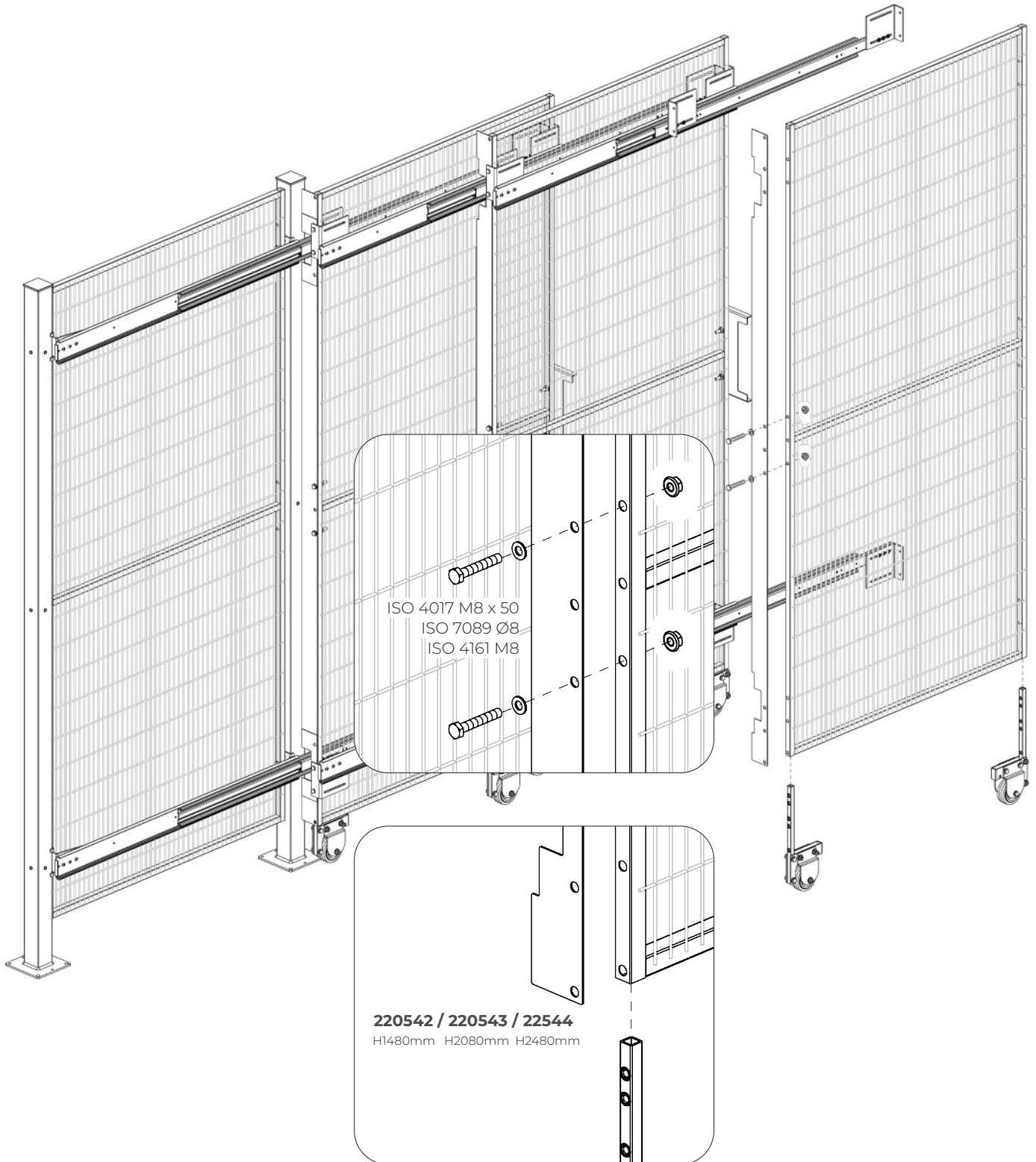
# Single Open Passage TX Triple-Stage Sliding Door

## ASSEMBLY INSTRUCTIONS



# Single Open Passage TX Triple-Stage Sliding Door

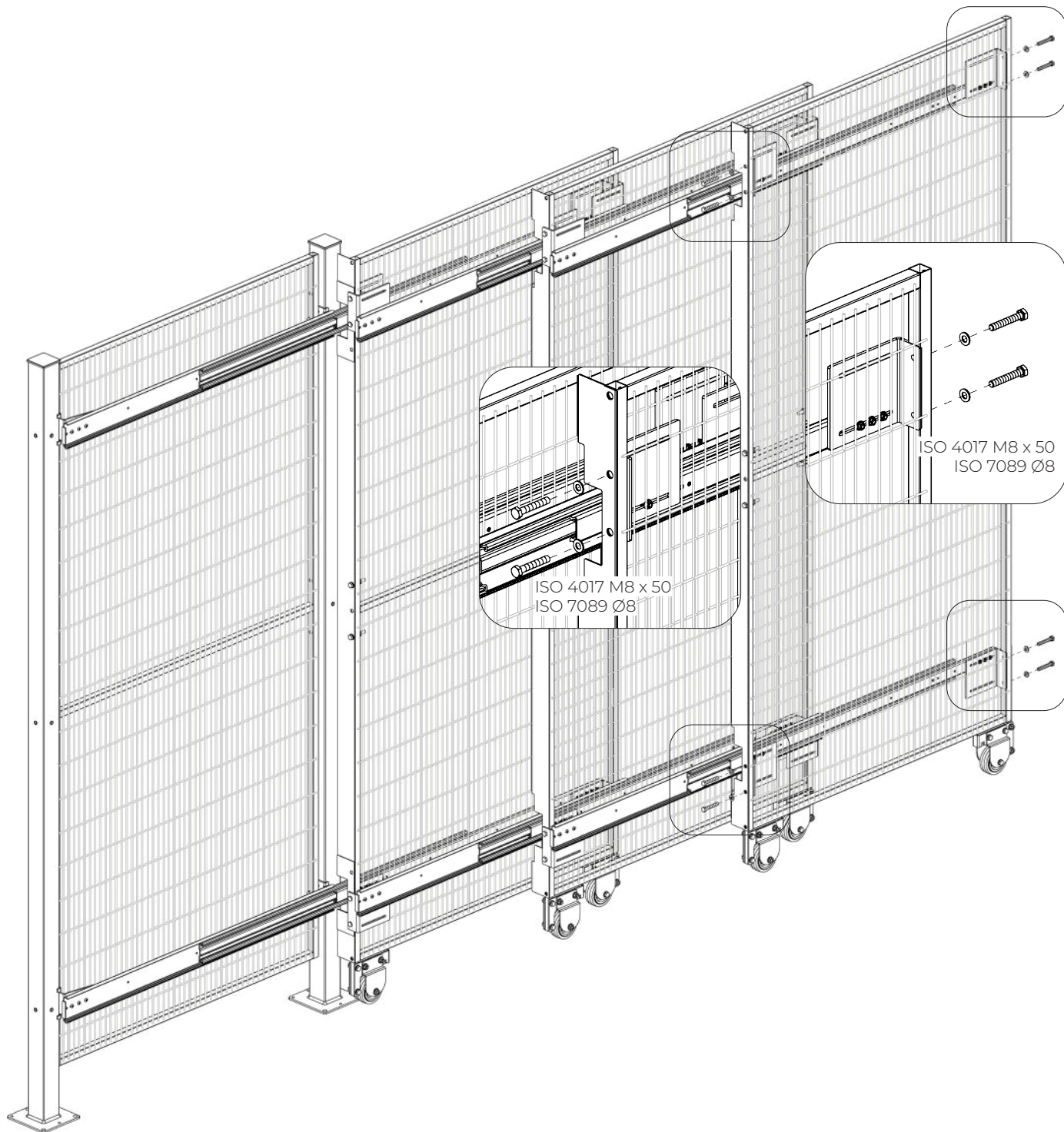
ASSEMBLY INSTRUCTIONS





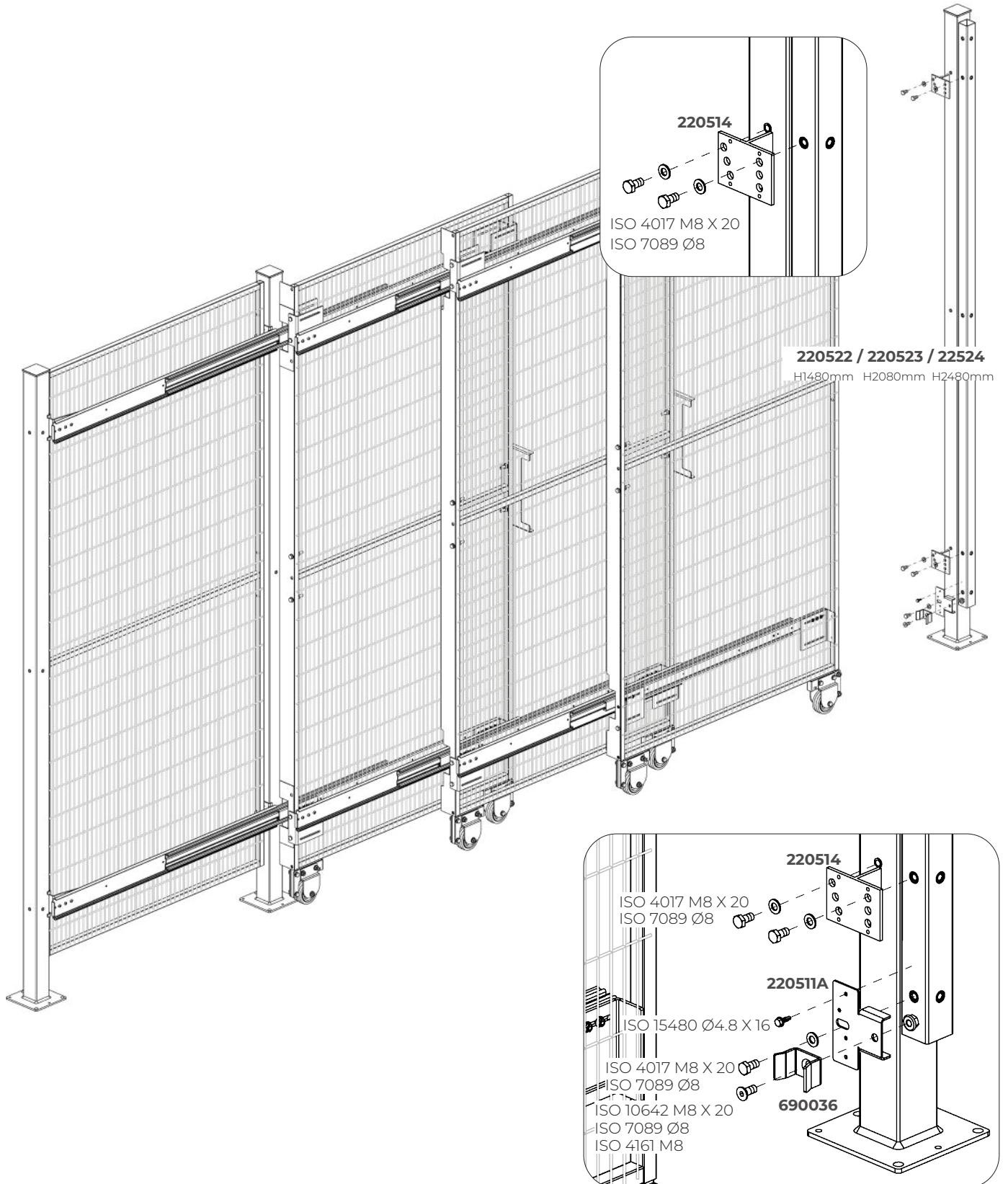
# Single Open Passage TX Triple-Stage Sliding Door

## ASSEMBLY INSTRUCTIONS



# Single Open Passage TX Triple-Stage Sliding Door

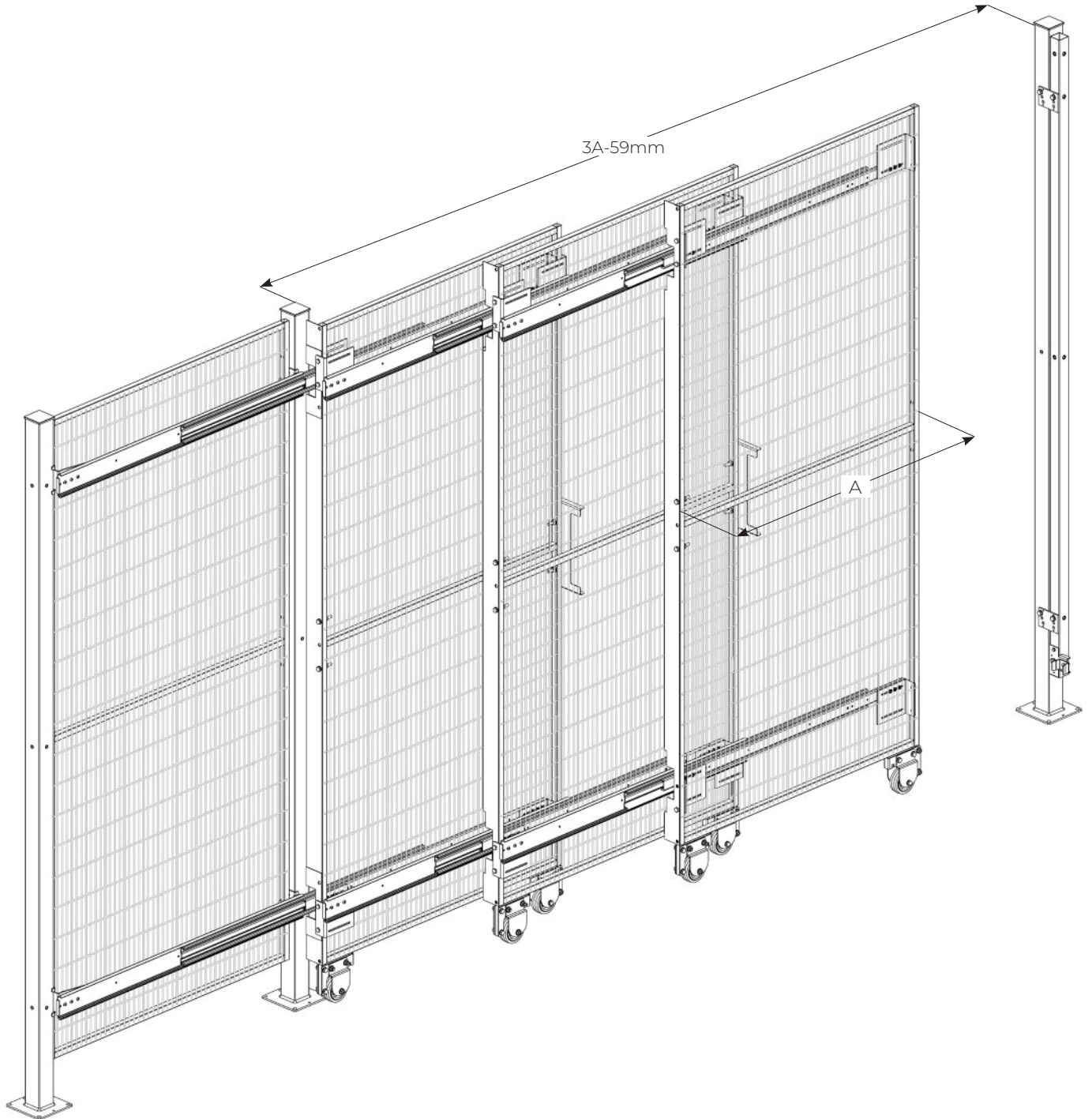
## ASSEMBLY INSTRUCTIONS





# Single Open Passage TX Triple-Stage Sliding Door

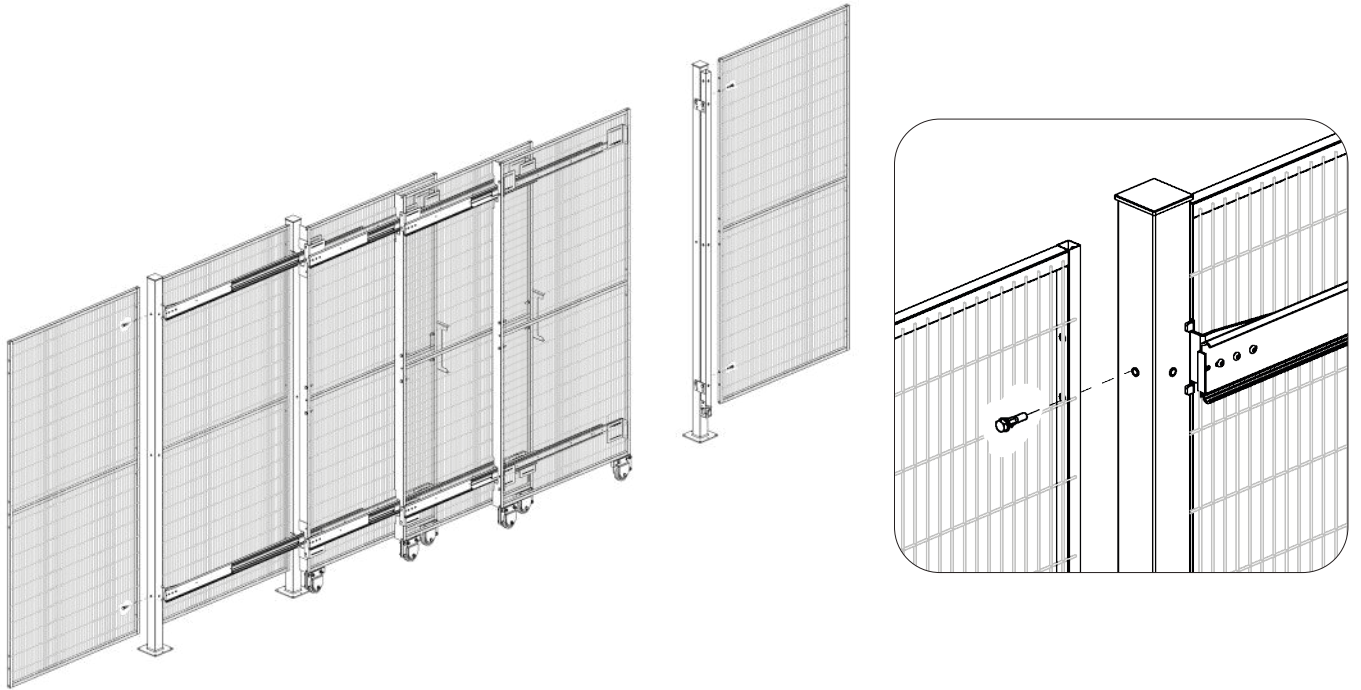
## ASSEMBLY INSTRUCTIONS



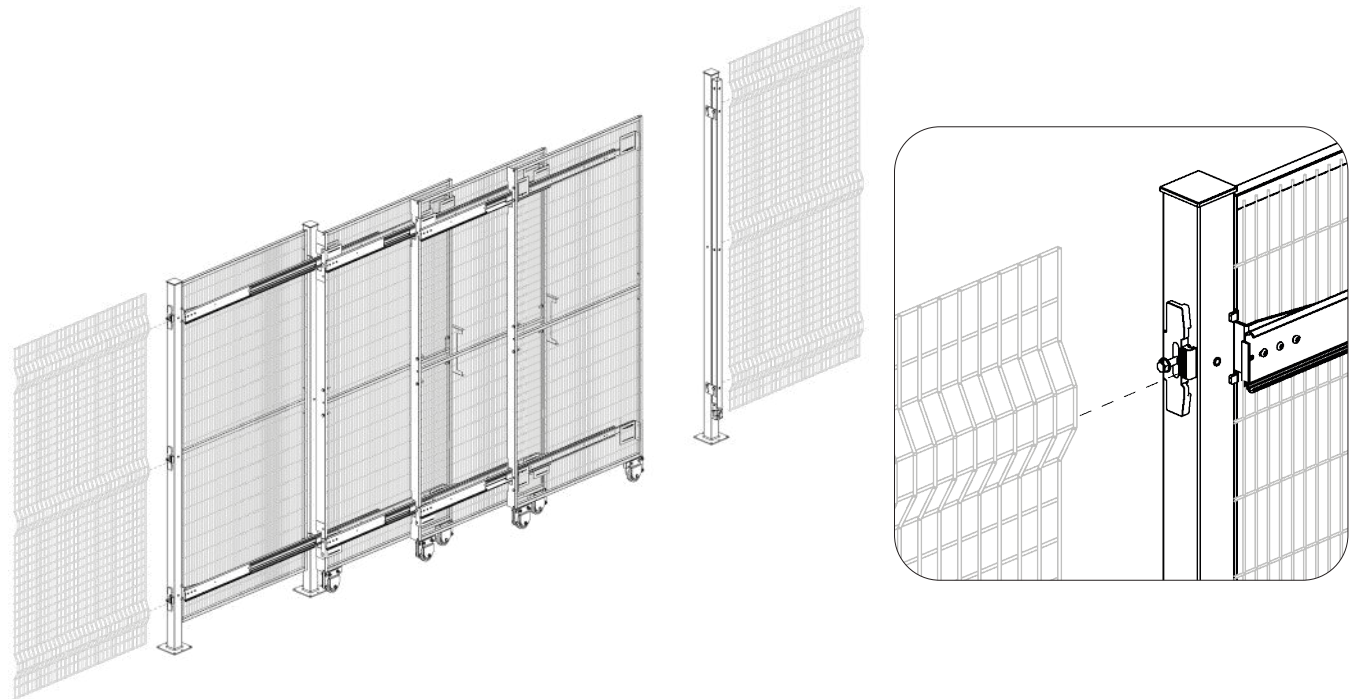
# Single Open Passage TX Triple-Stage Sliding Door

ASSEMBLY INSTRUCTIONS - LINEAR

## ImpactGuard



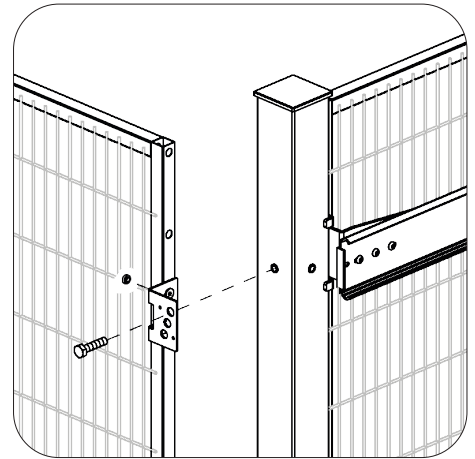
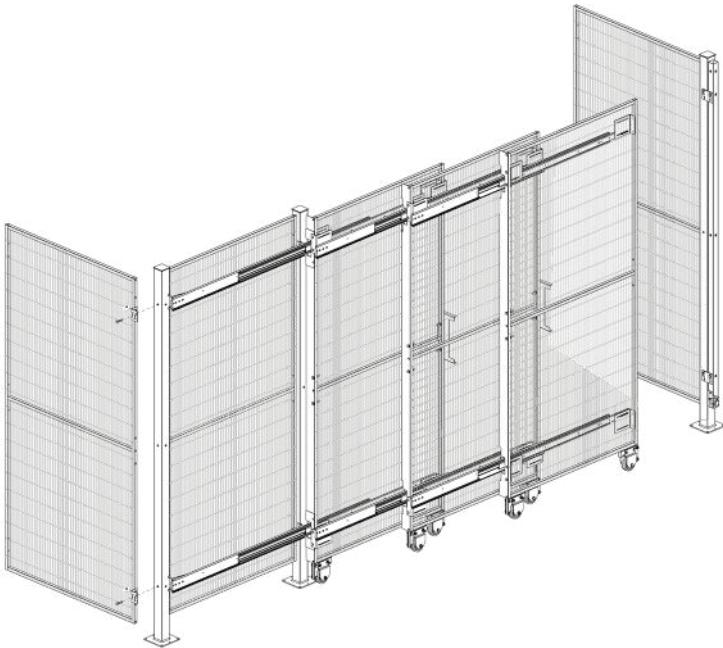
## AdaptaGuard



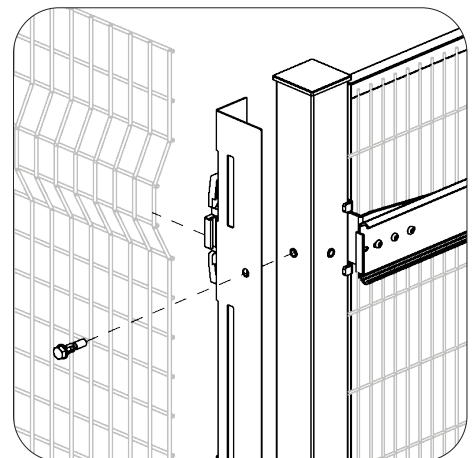
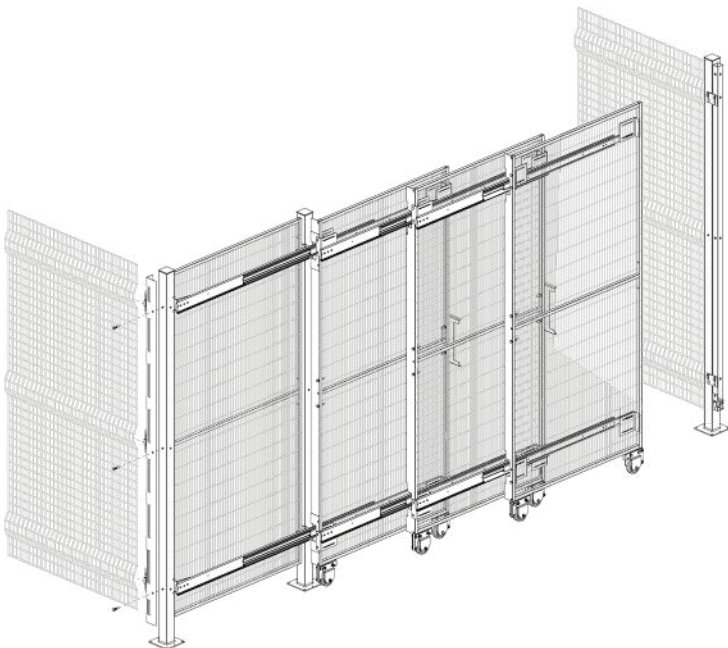
# Single Open Passage TX Triple-Stage Sliding Door

ASSEMBLY INSTRUCTIONS - ANGULAR

## ImpactGuard



## AdaptaGuard



# Modular Machine Guards that fit your needs.

Tailor-made solutions for the safety of operators and machinery



Protecting workers and machinery is paramount to create a safe and productive work environment. Satech Modular Machine Guards Systems, Doors and Accessories provide tailor-made solutions for any machinery layout need. **3 framed Systems, 2 frameless Systems** and **more than 150 Locks/Interlocks** ensure the maximum level of protection (PL) when accessing hazard areas for inspection or machinery maintenance.

## Perimeter Protection Machine Safety Guards compliant with European and International Standards

Satech Machine Guards are manufactured in compliance with the **EN ISO 14120** standard, "General requirements for the design and construction of fixed and movable guards". They can be installed at a minimum distance of **120 mm from hazard** (as for EN ISO 13857), saving you plenty of layout space.

All Satech products are manufactured with **quality materials** and are highly durable. Mesh panels and other panel solutions can be easily and rapidly connected to posts (with captive retained fastenings, as for 2006/42/CE - Machinery Directive), which allows you to greatly **reduce assembly time**.

Founded in 2000, Satech was the first Italian Perimeter Guards Manufacturer. A **modern international company** today, in our 20+ years of work we have taken care of the safety of thousands of automated machinery systems and of millions of people worldwide. A **Safe Factory** is a **Productive One**.



## Need help with this manual?

If you need additional specs, tips or manuals, please call our **Customer Service** at

**+39 031 86230 85**

**SATECH**  
Modular Machine Guards

Satech Safety Technology SpA

Via Conte Taverna, 1  
I-23892 Bulciago (LC)  
Phone +39 031 86230 11



**CERTIFIED**  
**ISO 9001**  
**ISO 14001**  
**ISO 45001**

