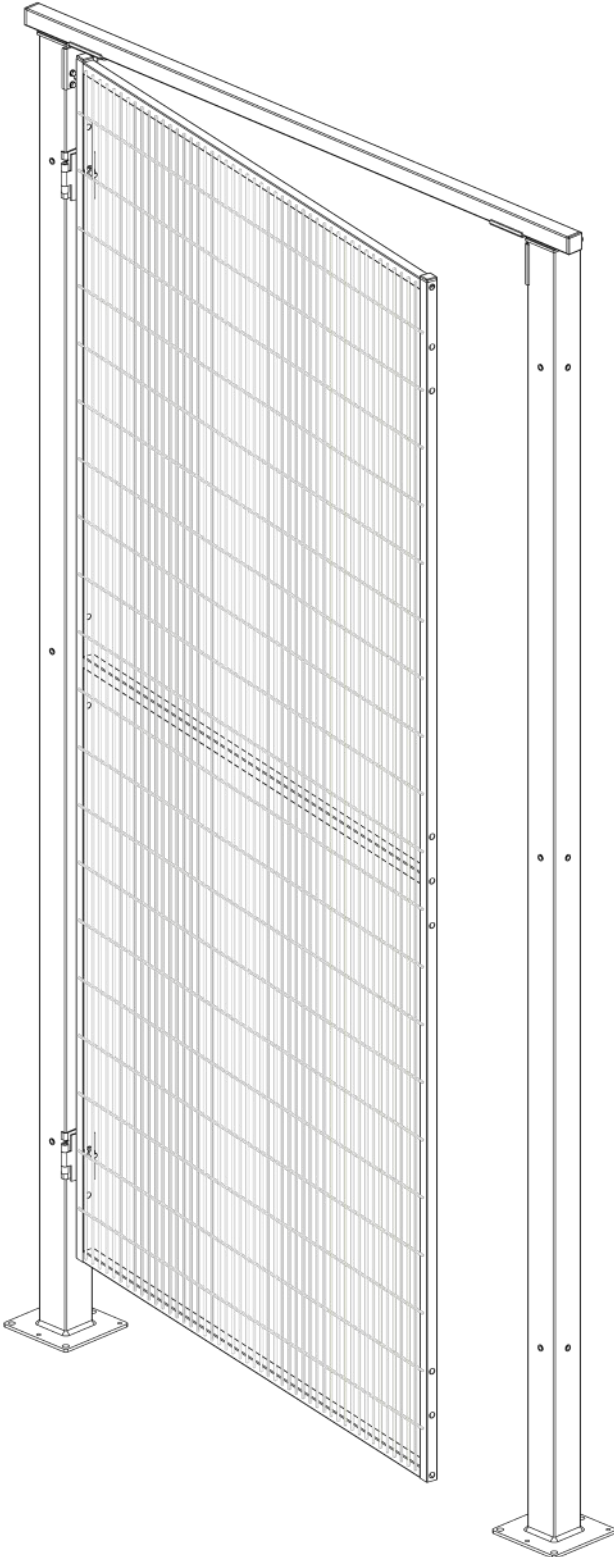
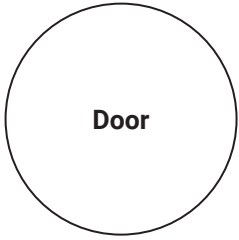


SINGLE LEAF

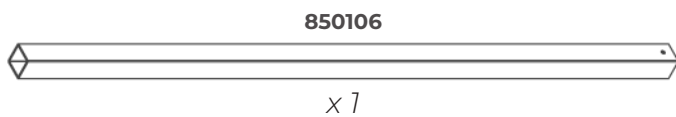
# Hinged Door

ASSEMBLY INSTRUCTIONS



# Single Leaf Hinged Door

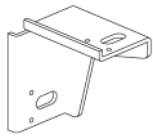
ASSEMBLY INSTRUCTIONS



## 403000000000001

### 4011000000000002

220057A



x 2

903030



x 2

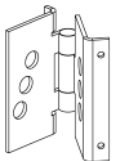
ISO 15480 Ø 4.8 x 16



x 8

### 4011000000000001

220050\_F05



x 2

220050\_F04



x 2

### 4001000000000001

ISO 10642 M8 X 45



x 2

ISO 10642 M8 X 16



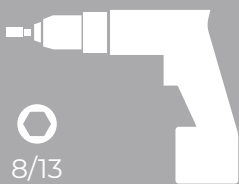
x 2

ISO 4161 M8



x 2

## Tools



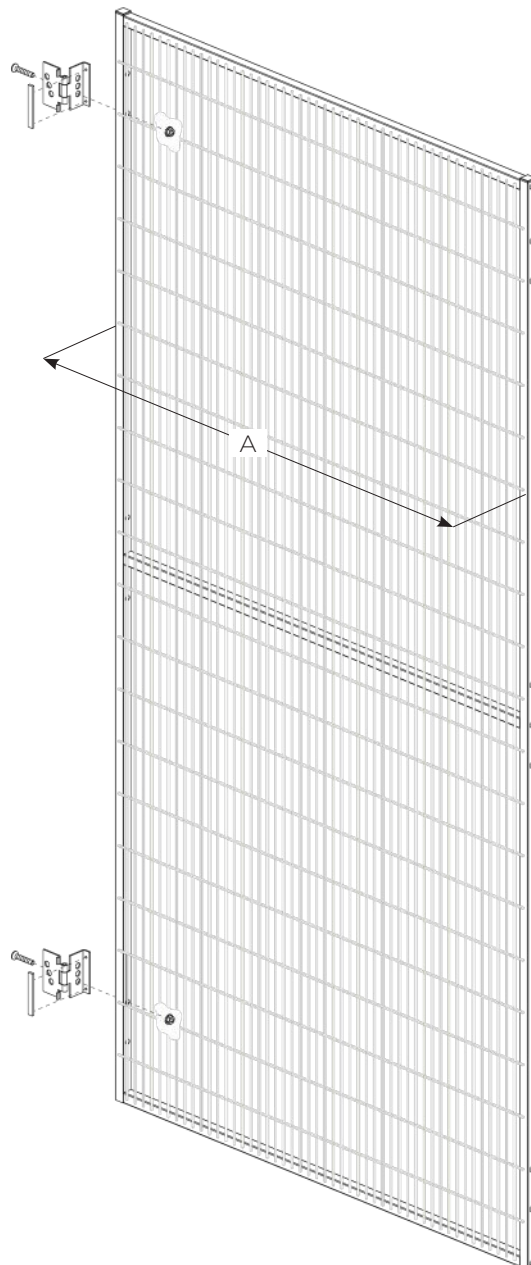
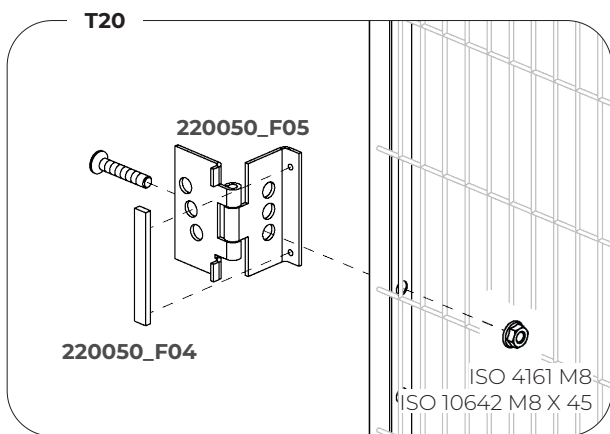
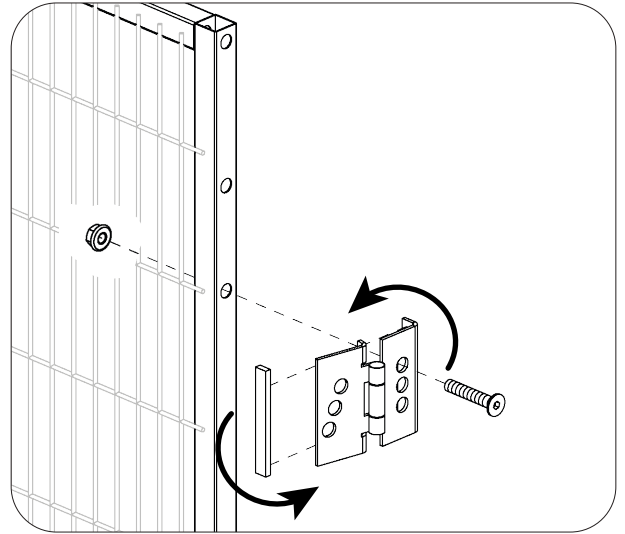
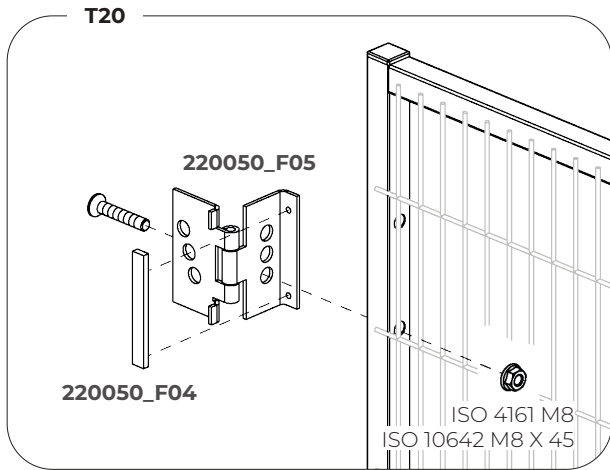
13



5

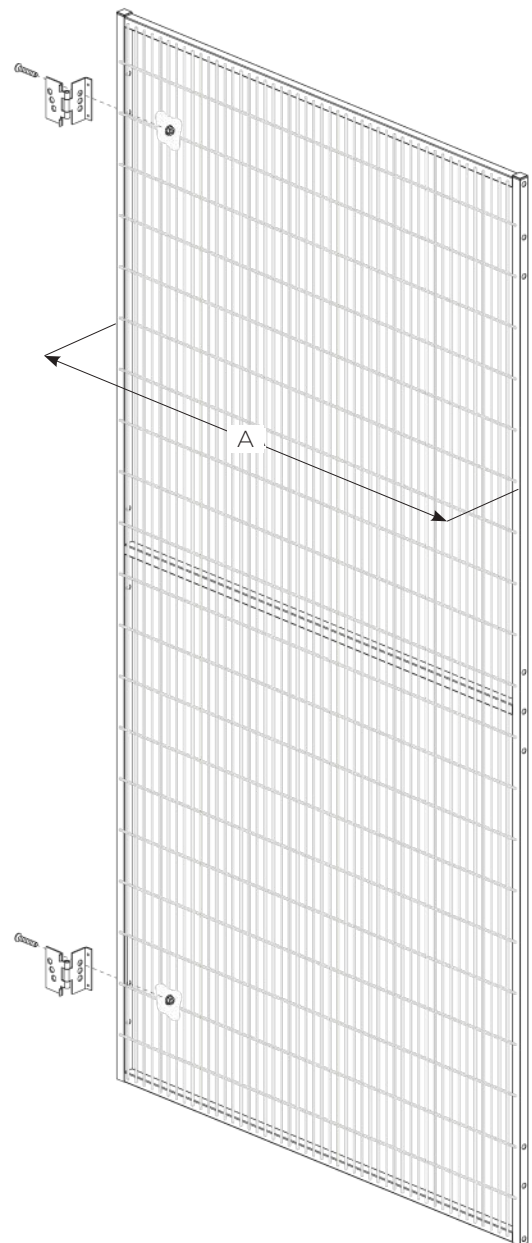
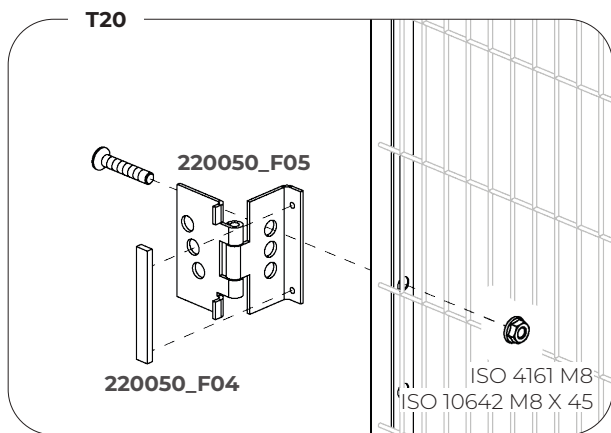
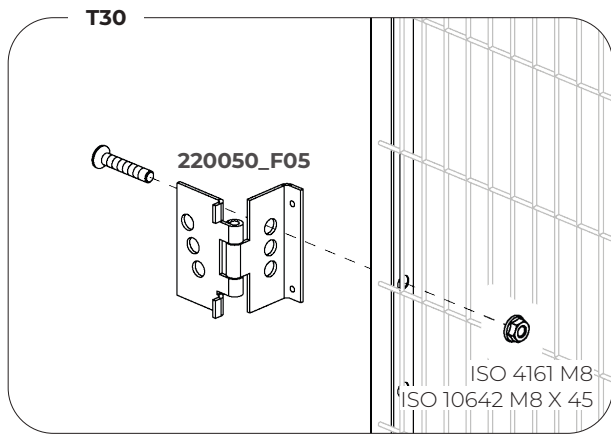
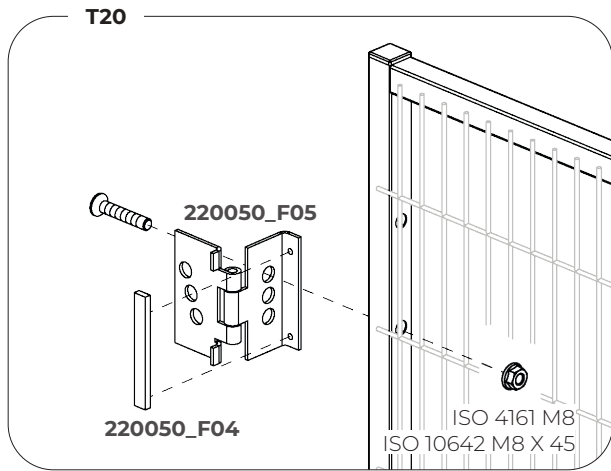
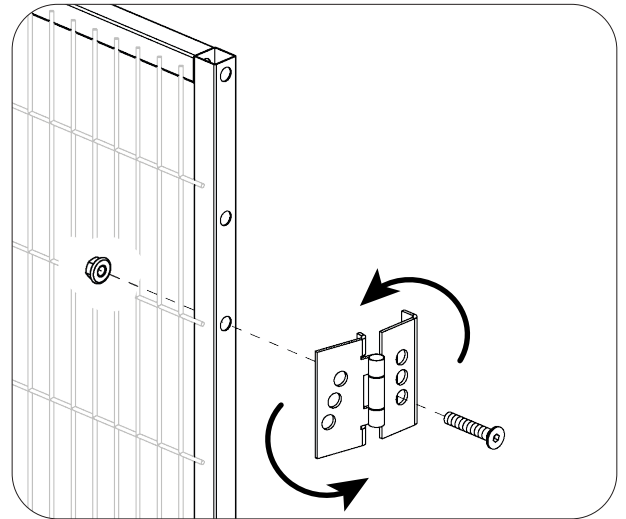
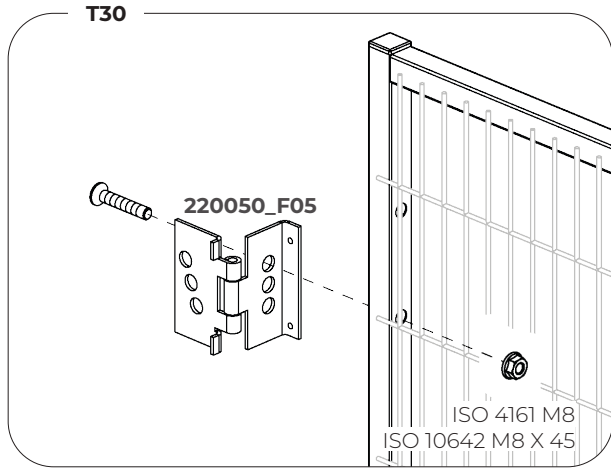
# Single Leaf Hinged Door

ASSEMBLY INSTRUCTIONS - 40 mm POST



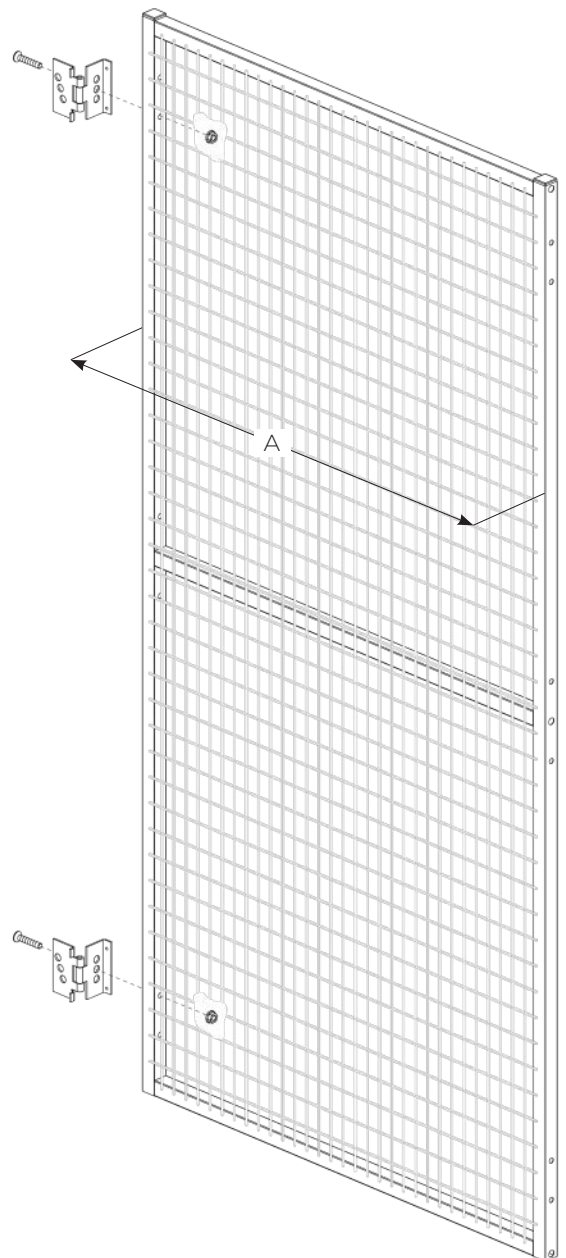
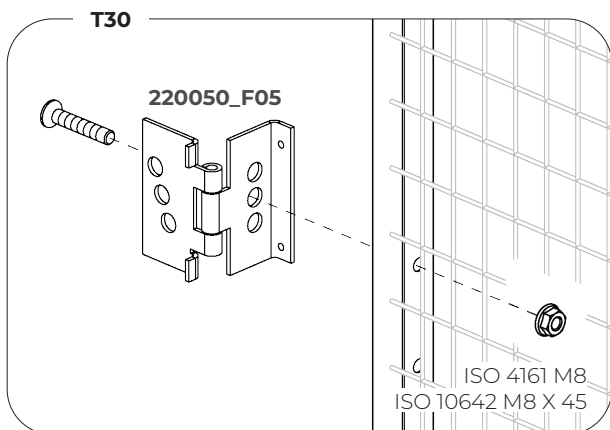
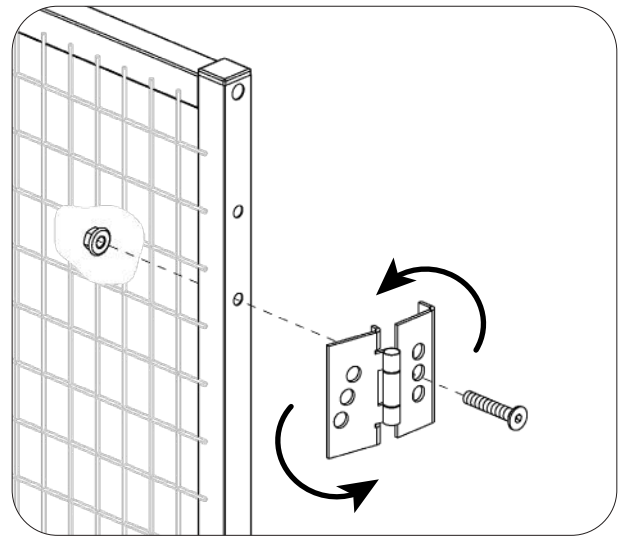
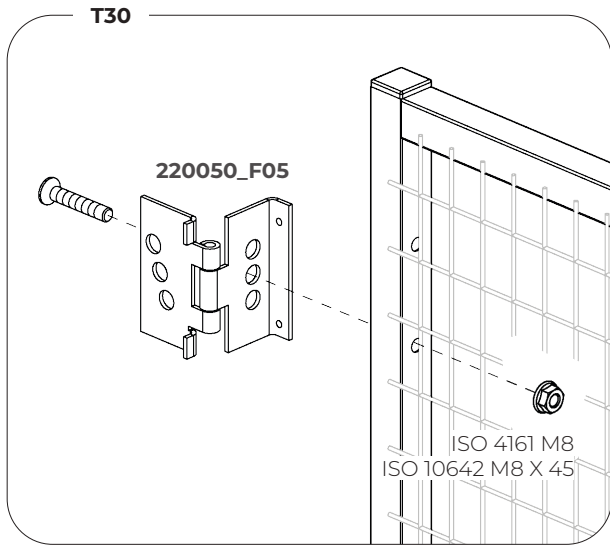
# Single Leaf Hinged Door

ASSEMBLY INSTRUCTIONS - 60 mm POST



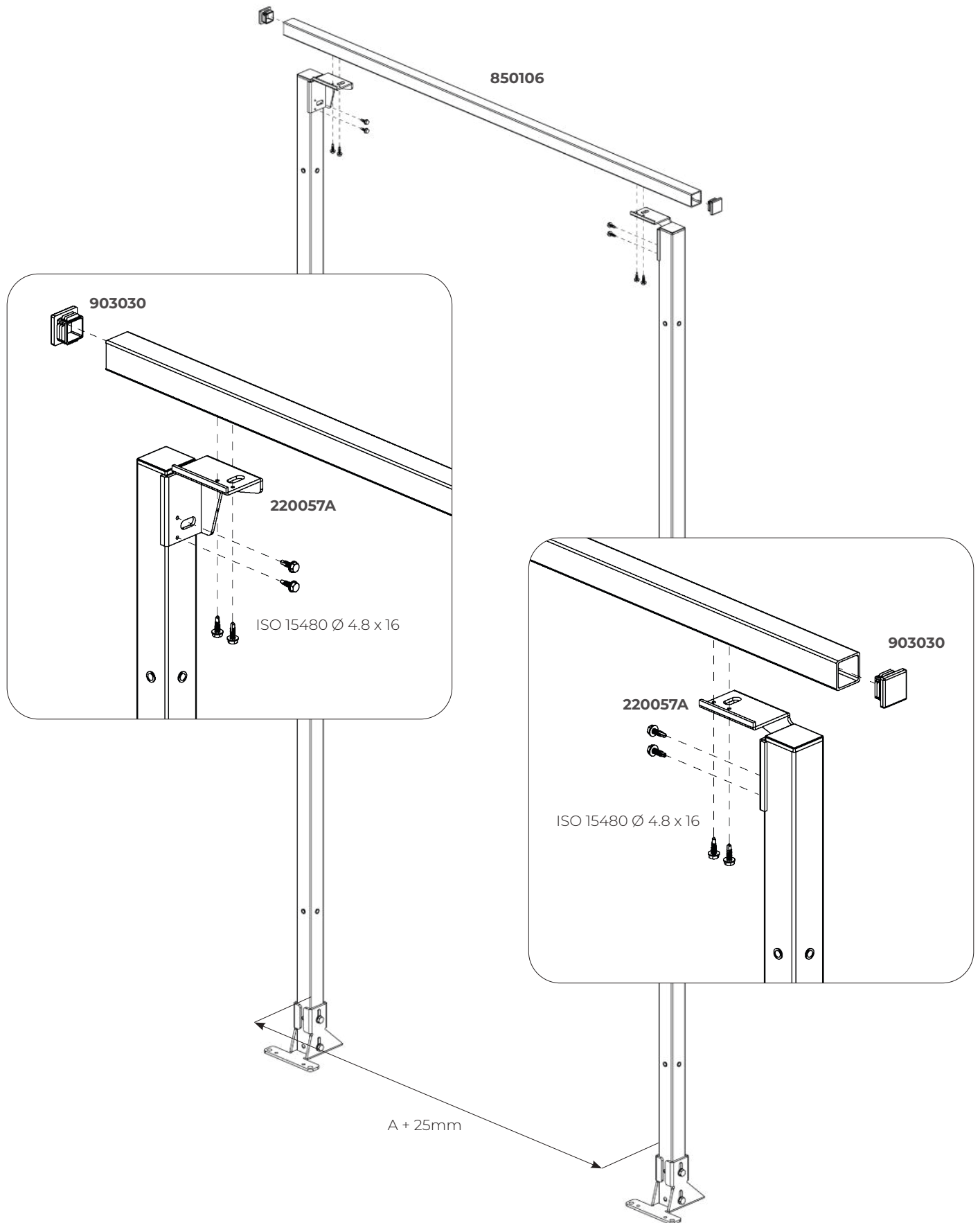
# Single Leaf Hinged Door

ASSEMBLY INSTRUCTIONS - 50 mm POST



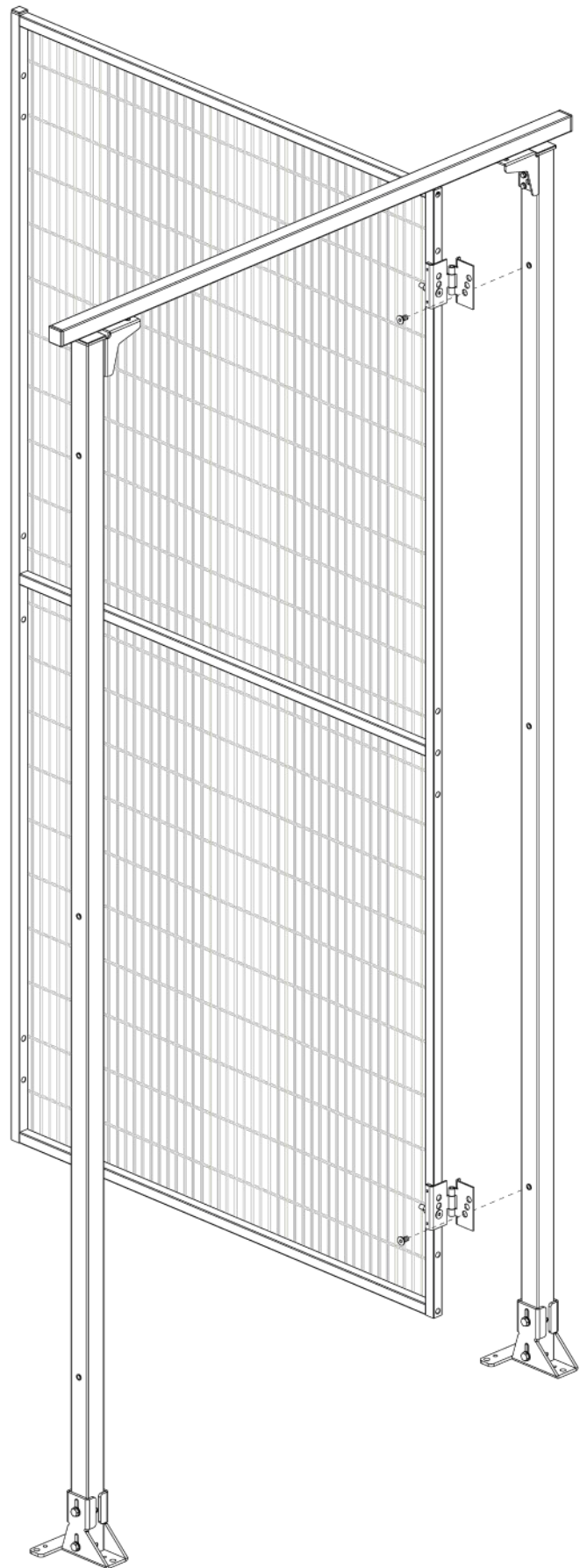
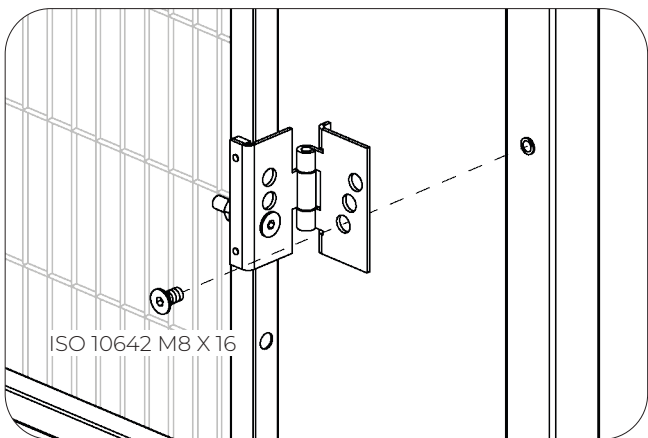
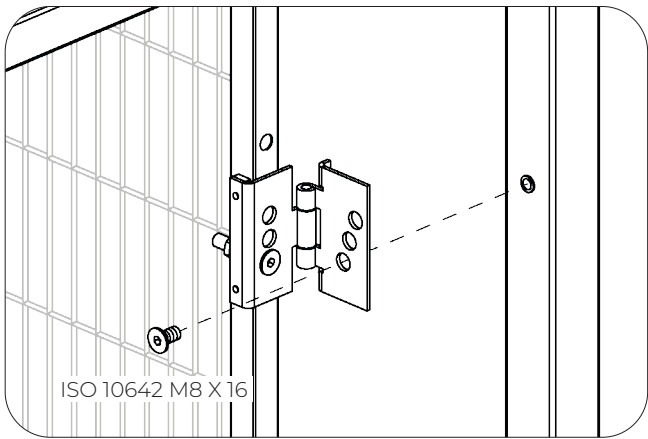
# Single Leaf Hinged Door

ASSEMBLY INSTRUCTIONS



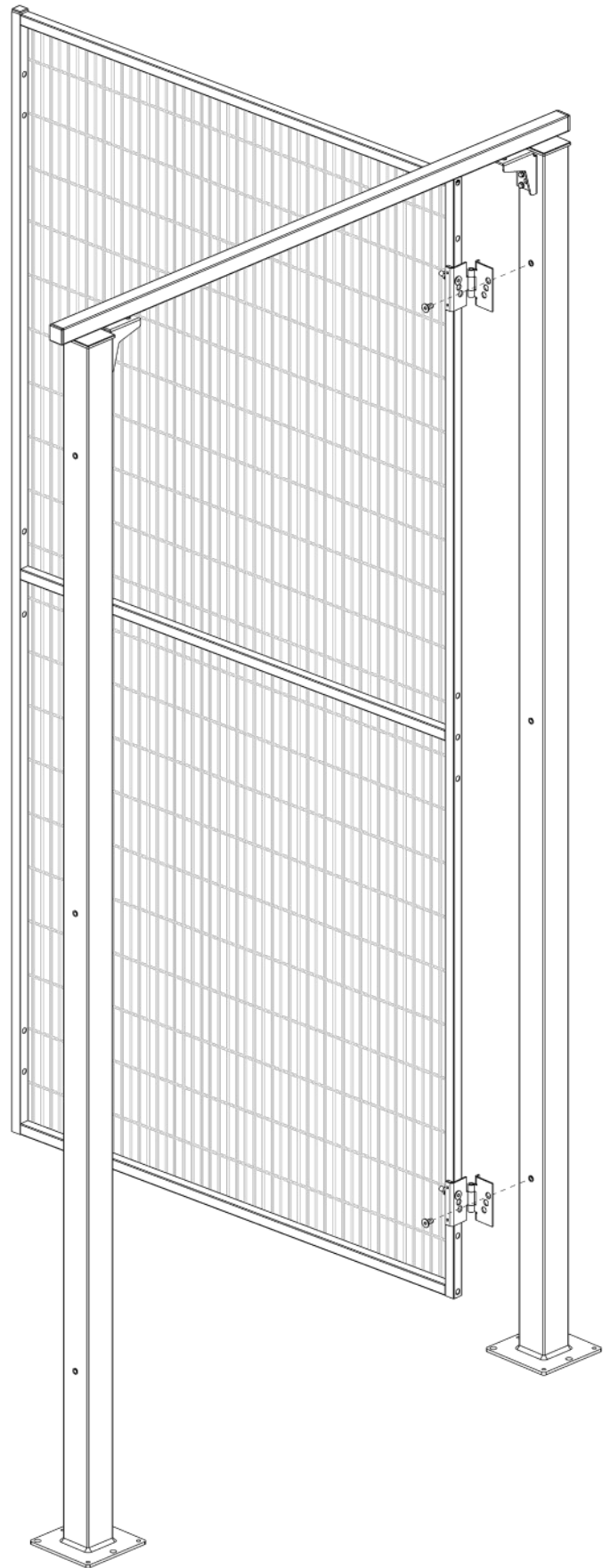
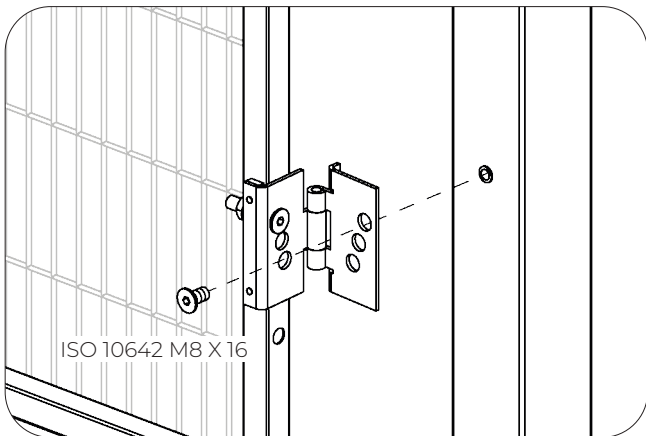
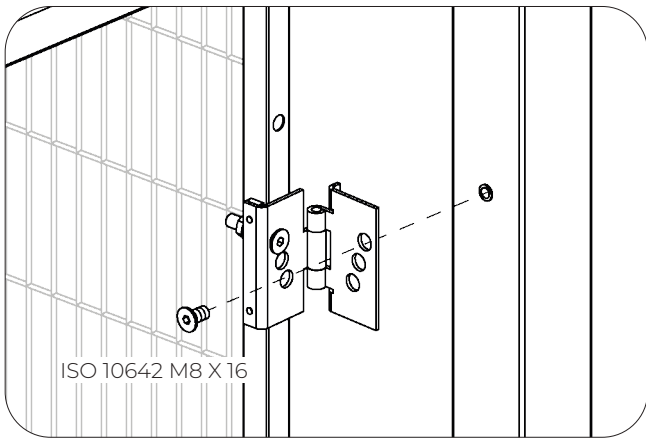
# Single Leaf Hinged Door

ASSEMBLY INSTRUCTIONS - 40 mm POST



# Single Leaf Hinged Door

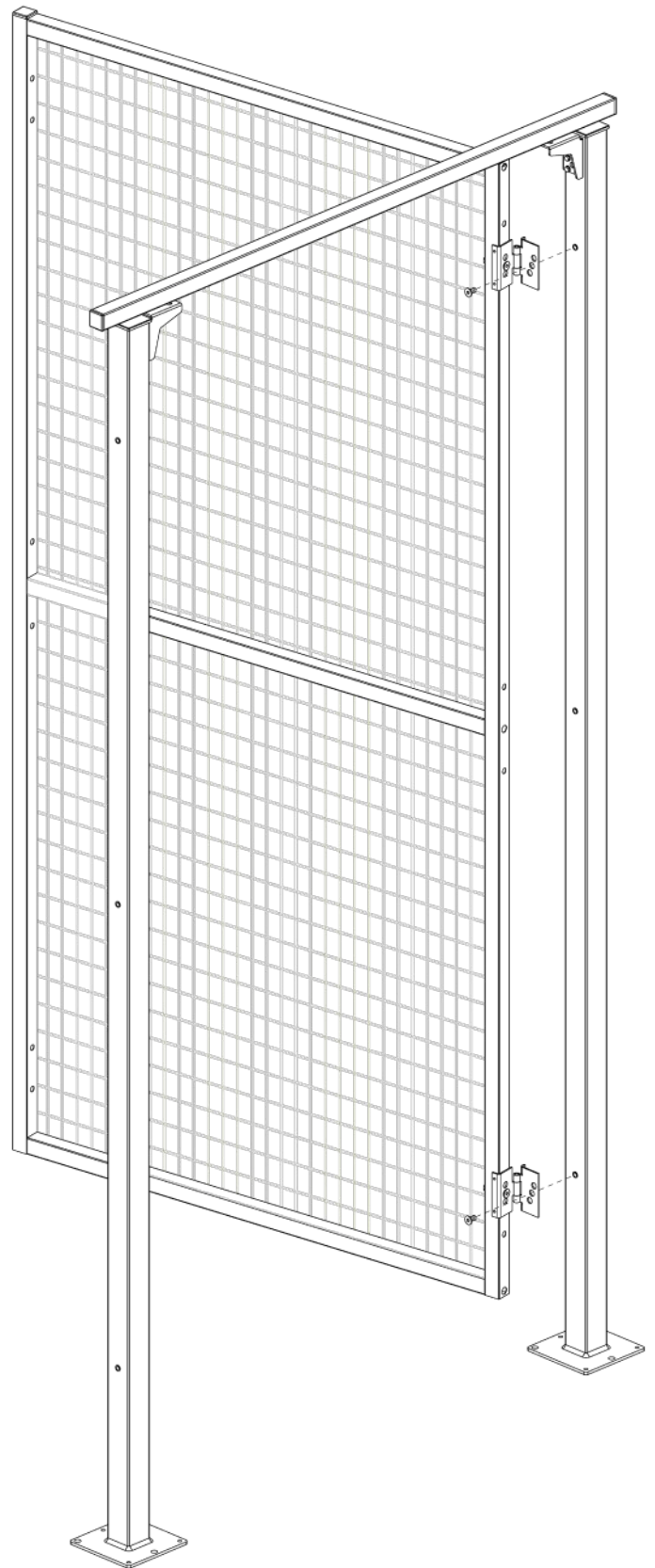
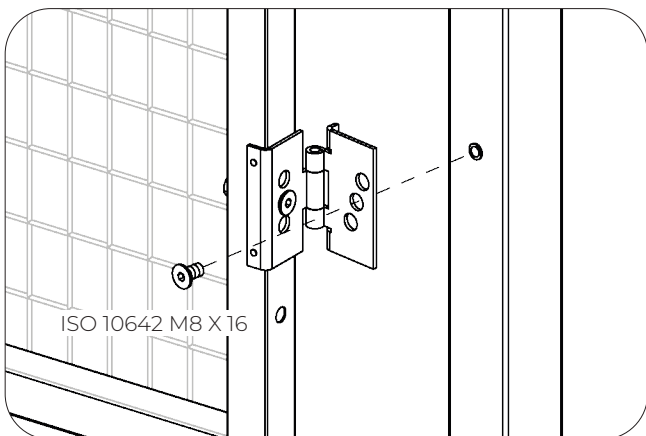
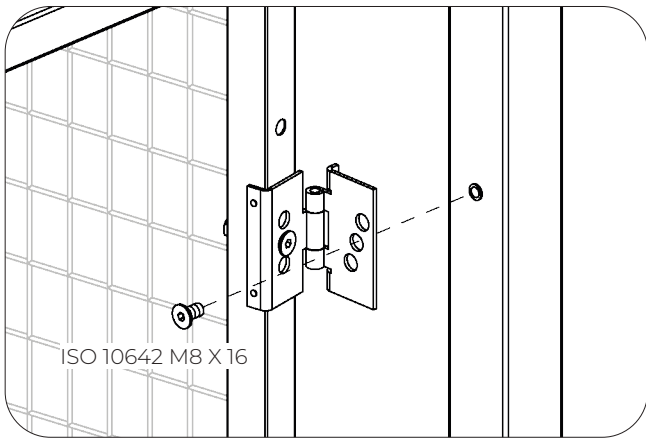
ASSEMBLY INSTRUCTIONS - 60 mm POST





# Single Leaf Hinged Door

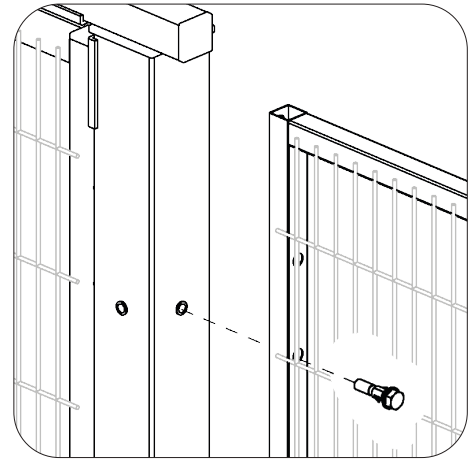
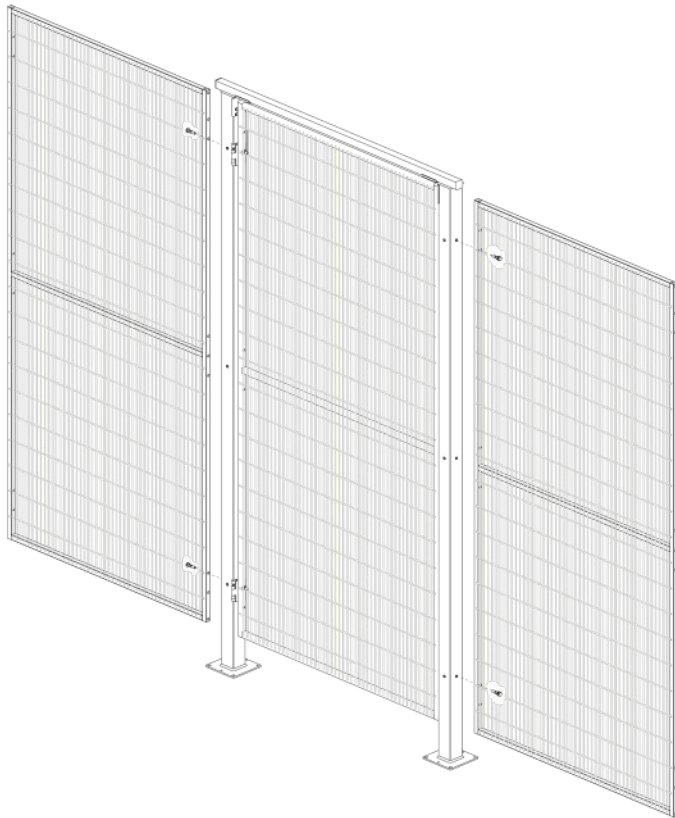
ASSEMBLY INSTRUCTIONS - 50 mm POST



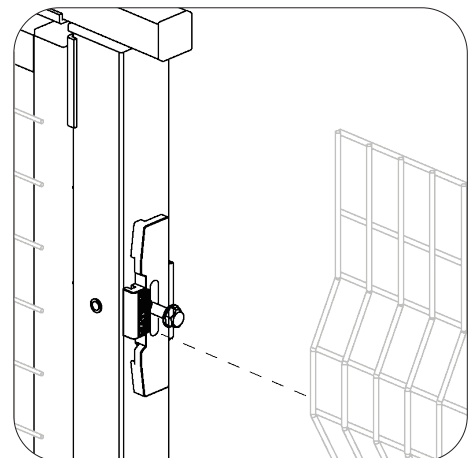
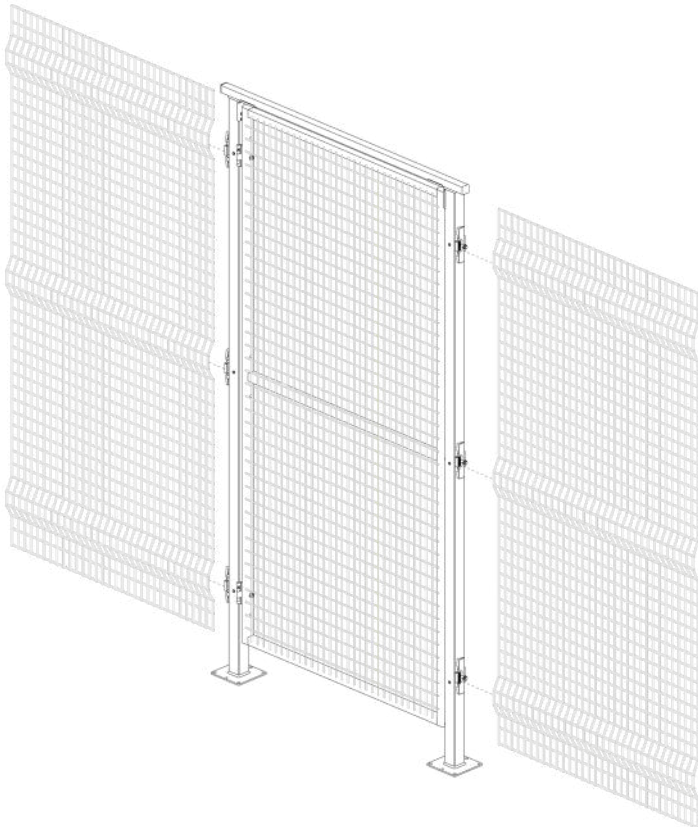
# Single Leaf Hinged Door

ASSEMBLY INSTRUCTIONS - LINEAR

## ImpactGuard



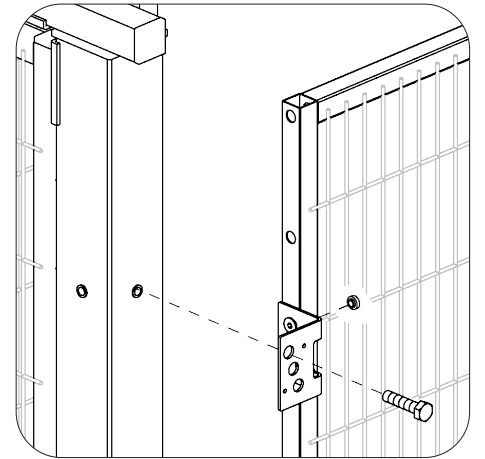
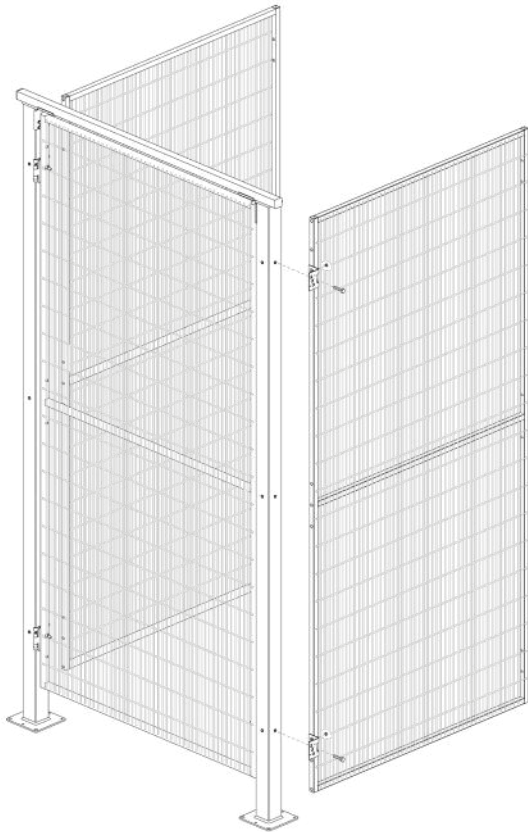
## AdaptaGuard



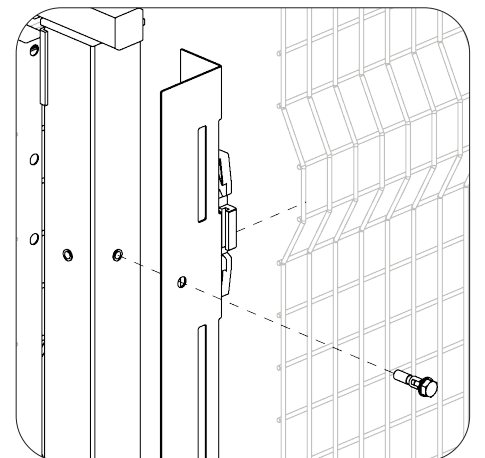
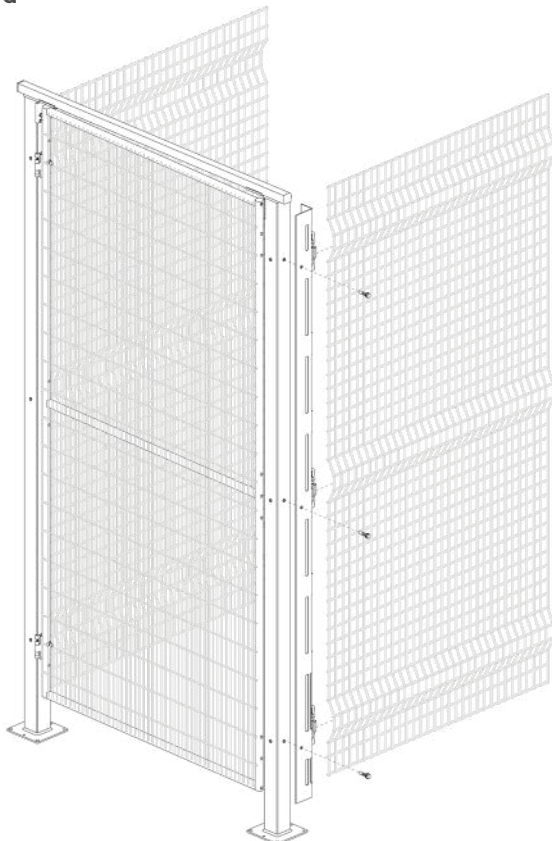
# Single Leaf **Hinged Door**

ASSEMBLY INSTRUCTIONS - ANGULAR

## ImpactGuard



## AdaptaGuard



# Modular Machine Guards that fit your needs.

Tailor-made solutions for the safety of operators and machinery



Protecting workers and machinery is paramount to create a safe and productive work environment. Satech Modular Machine Guards Systems, Doors and Accessories provide tailor-made solutions for any machinery layout need. **3 framed Systems, 2 frameless Systems** and **more than 150 Locks/Interlocks** ensure the maximum level of protection (PL) when accessing hazard areas for inspection or machinery maintenance.

## Perimeter Protection Machine Safety Guards compliant with European and International Standards

Satech Machine Guards are manufactured in compliance with the **EN ISO 14120** standard, "General requirements for the design and construction of fixed and movable guards". They can be installed at a minimum distance of **120 mm from hazard** (as for EN ISO 13857), saving you plenty of layout space.

All Satech products are manufactured with **quality materials** and are highly durable. Mesh panels and other panel solutions can be easily and rapidly connected to posts (with captive retained fastenings, as for 2006/42/CE - Machinery Directive), which allows you to greatly **reduce assembly time**.

Founded in 2000, Satech was the first Italian Perimeter Guards Manufacturer. A **modern international company** today, in our 20+ years of work we have taken care of the safety of thousands of automated machinery systems and of millions of people worldwide. A **Safe Factory** is a **Productive One**.

Our products may be subject to changes or improvements. The images shown here are for illustrative purposes only.



## Need help with this manual?

If you need additional specs, tips or manuals, please call our **Customer Service** at

**+39 031 86230 85**

**SATECH**  
Modular Machine Guards

Satech Safety Technology SpA

Via Conte Taverna, 1  
I-23892 Bulciago (LC)  
Phone +39 031 86230 11



CERTIFIED  
ISO 9001  
ISO 14001  
ISO 45001

