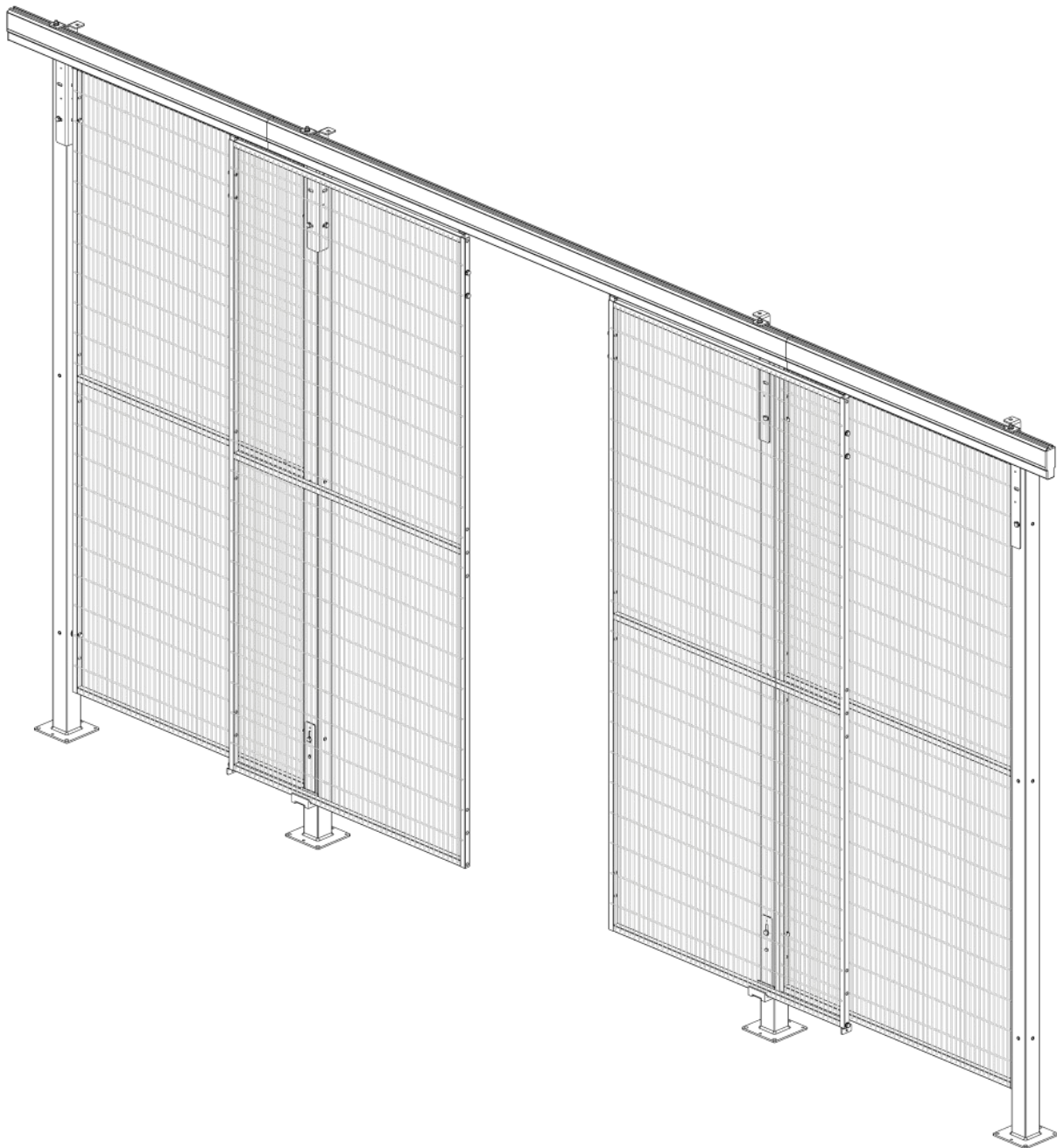


OPPOSED

# Upper Guide Sliding Door

ASSEMBLY INSTRUCTIONS

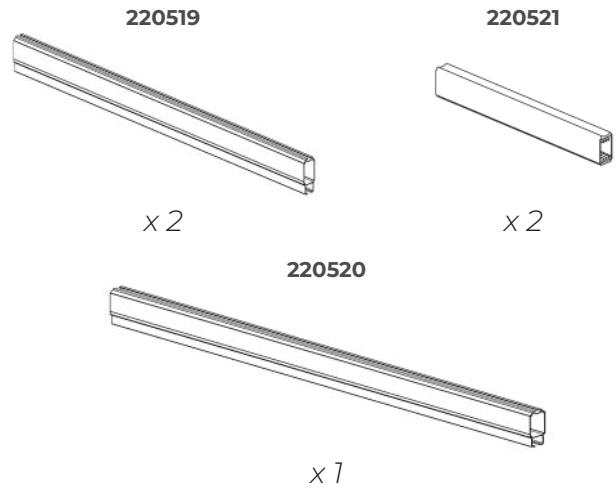
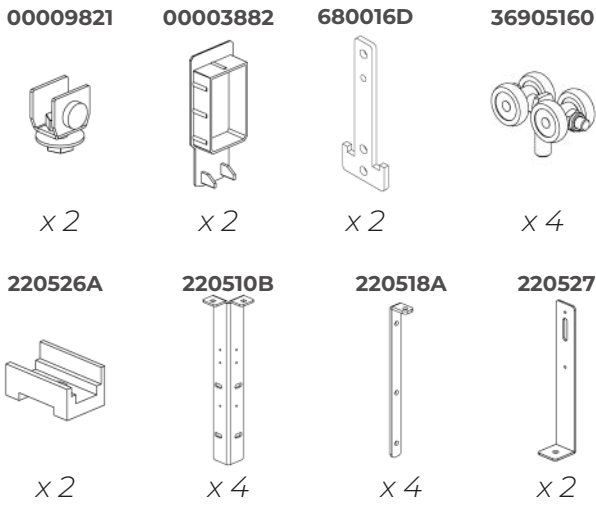
Door



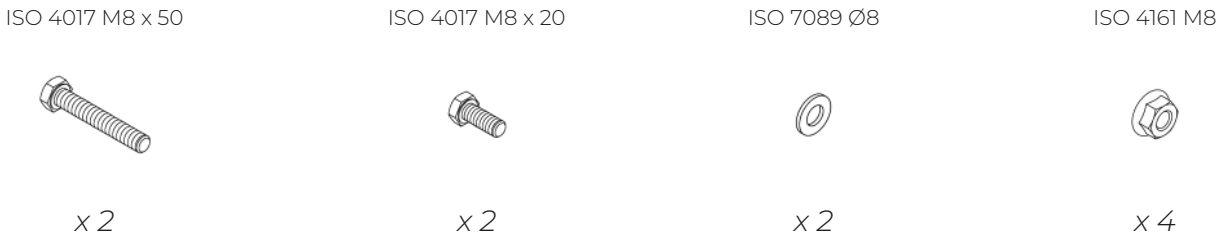
# Opposed Upper Guide Sliding Door

## ASSEMBLY INSTRUCTIONS

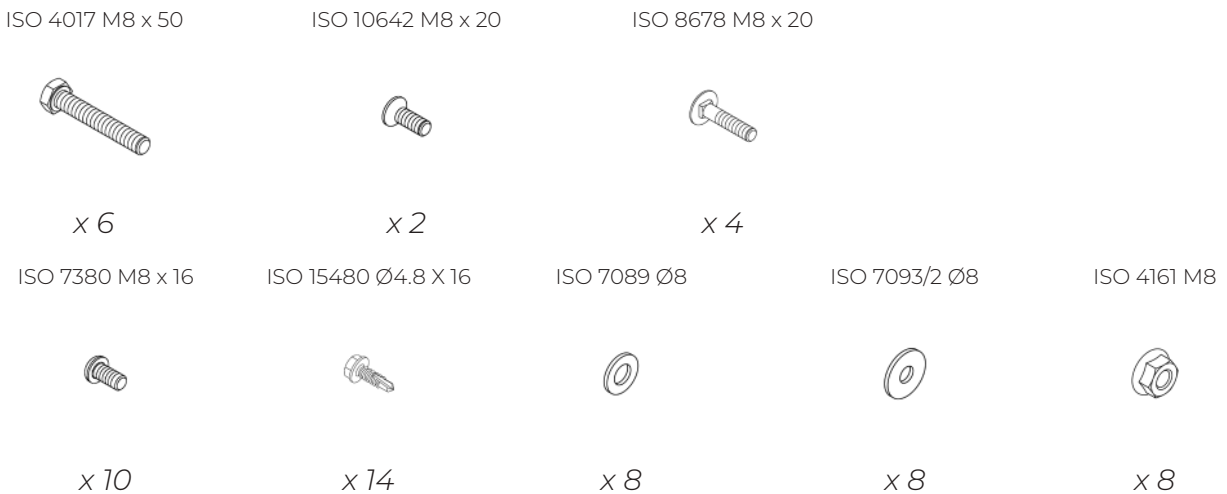
### 403000000000007



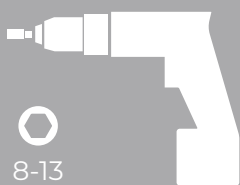
### 460KCAROMGE X4



### 400100000000003

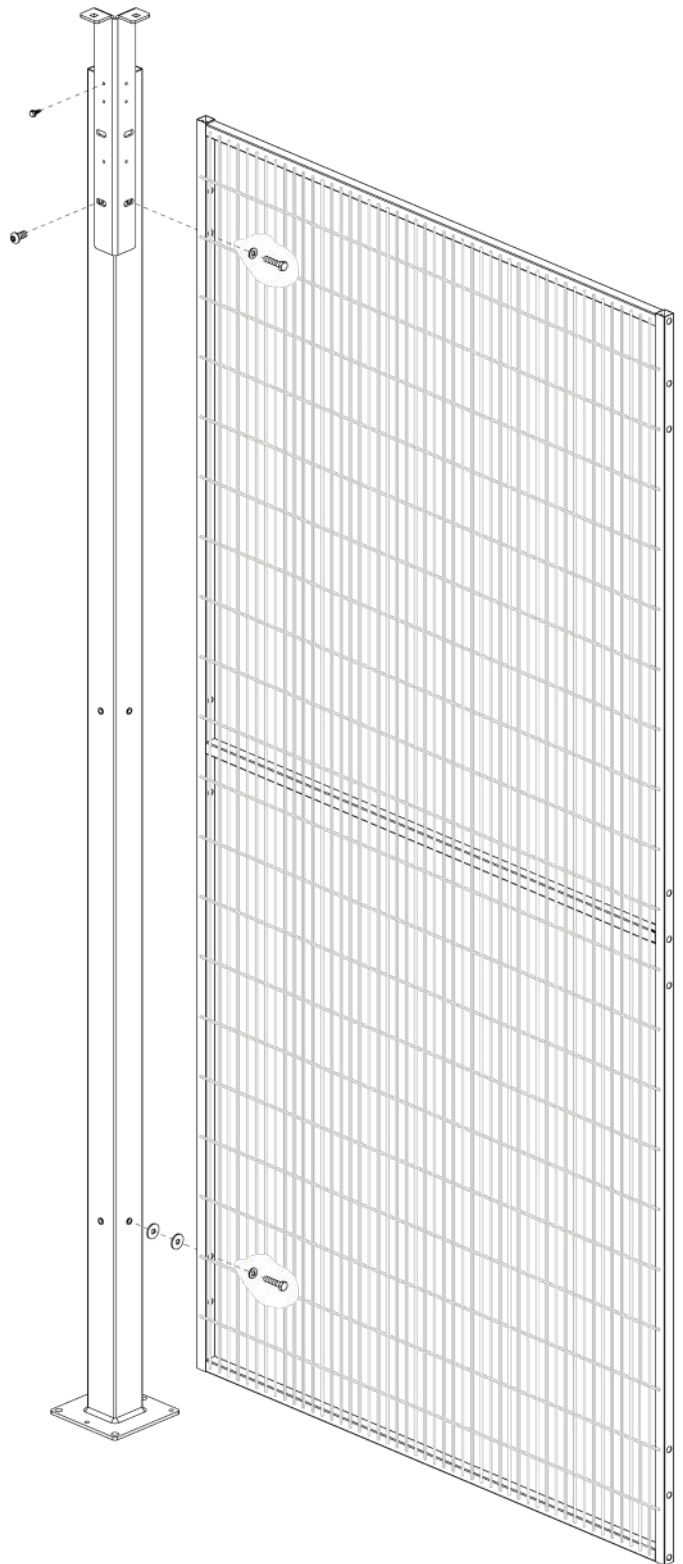
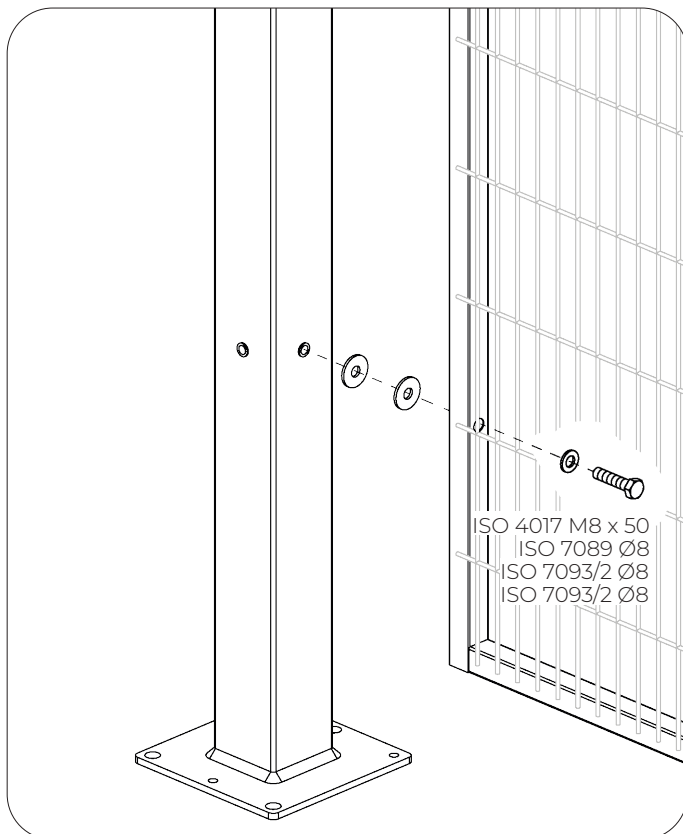
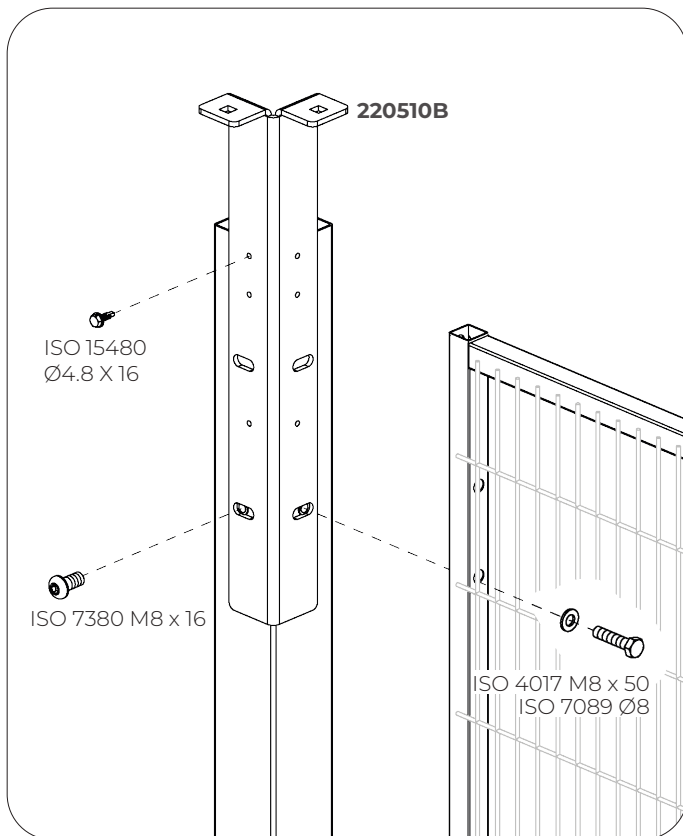


### Tools



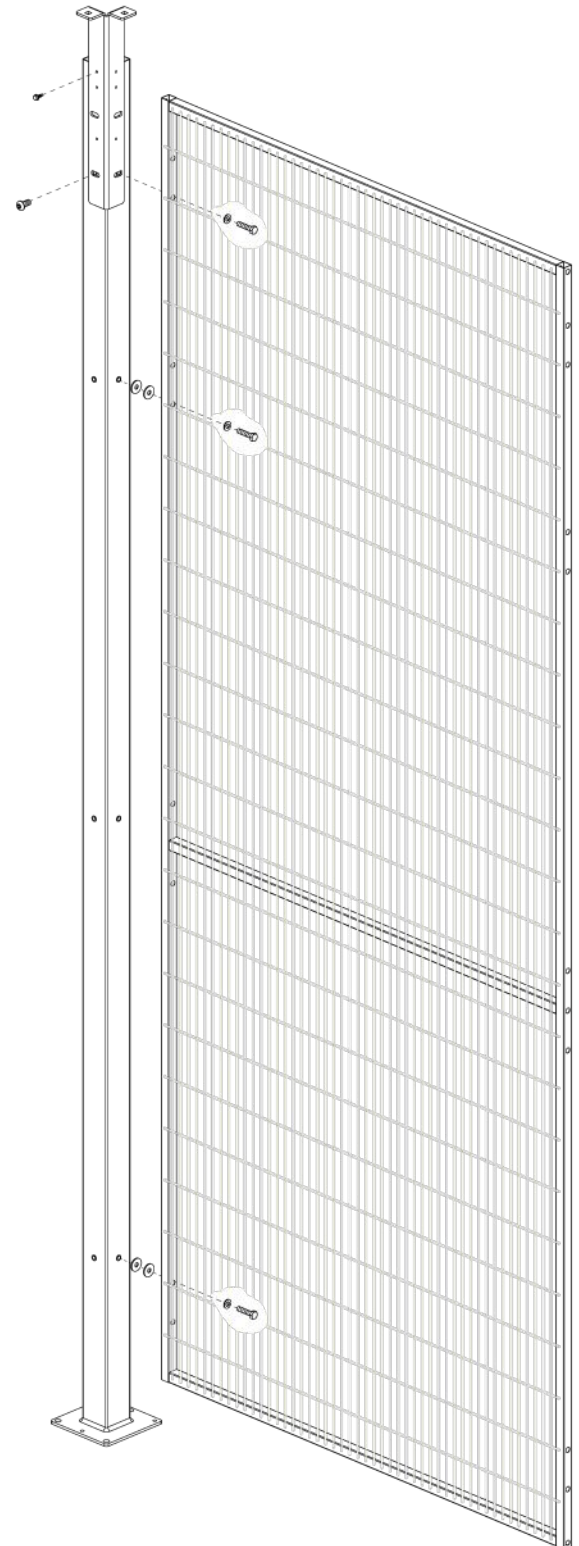
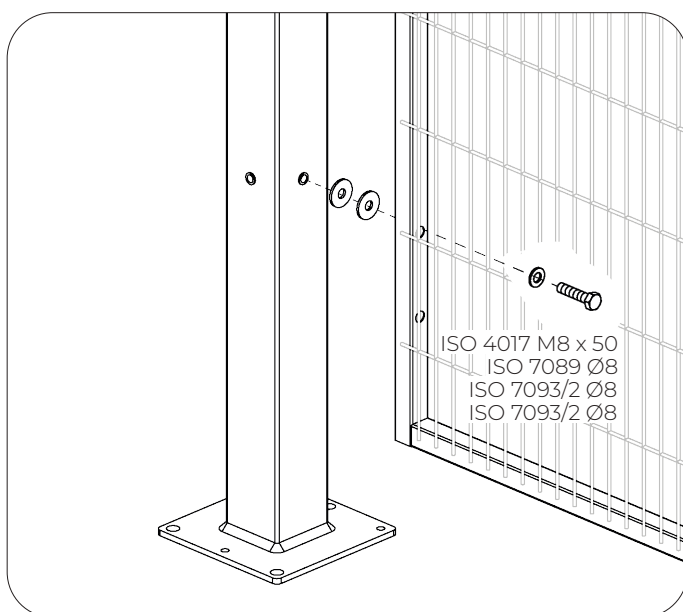
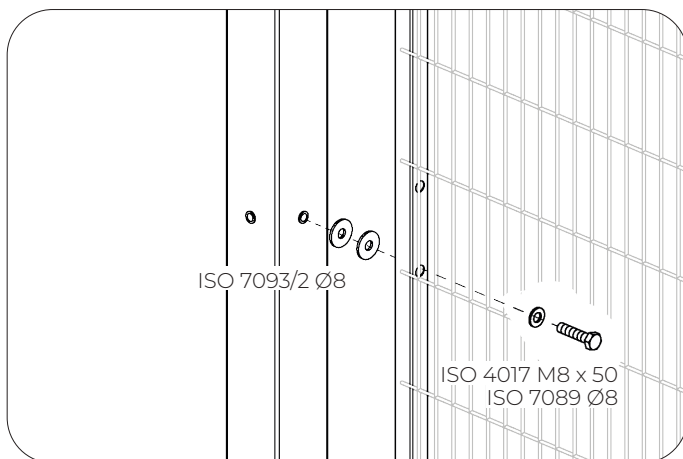
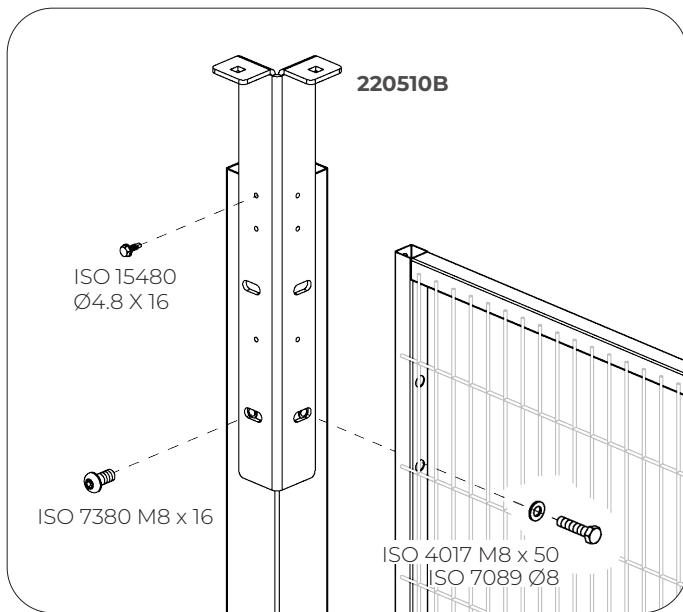
# Opposed Upper Guide Sliding Door

## ASSEMBLY INSTRUCTIONS



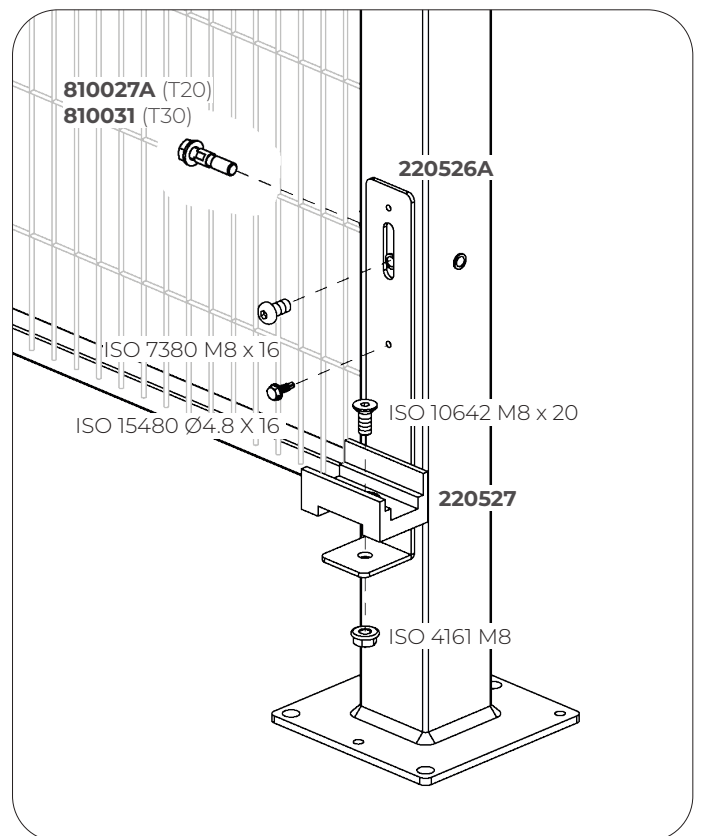
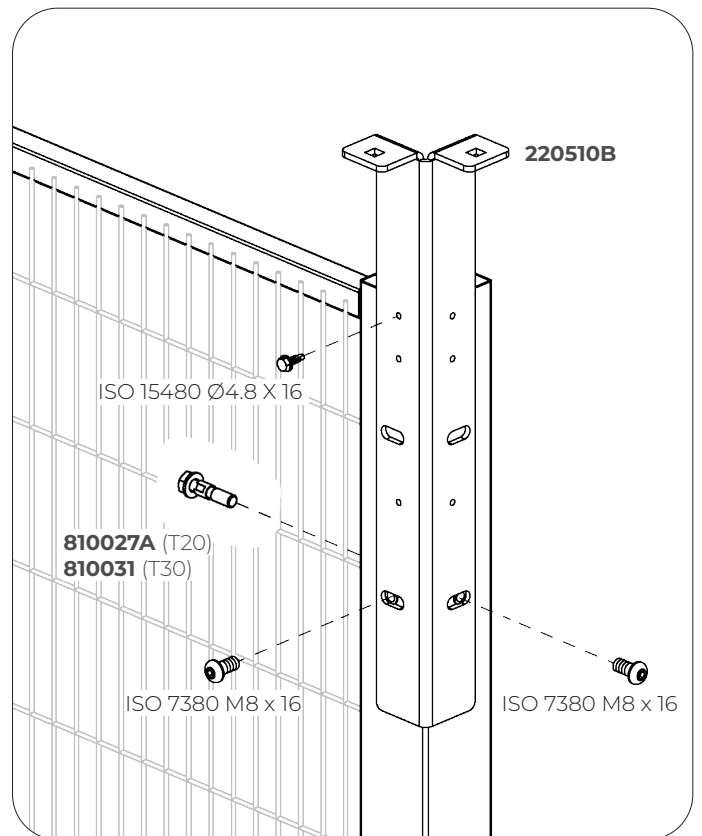
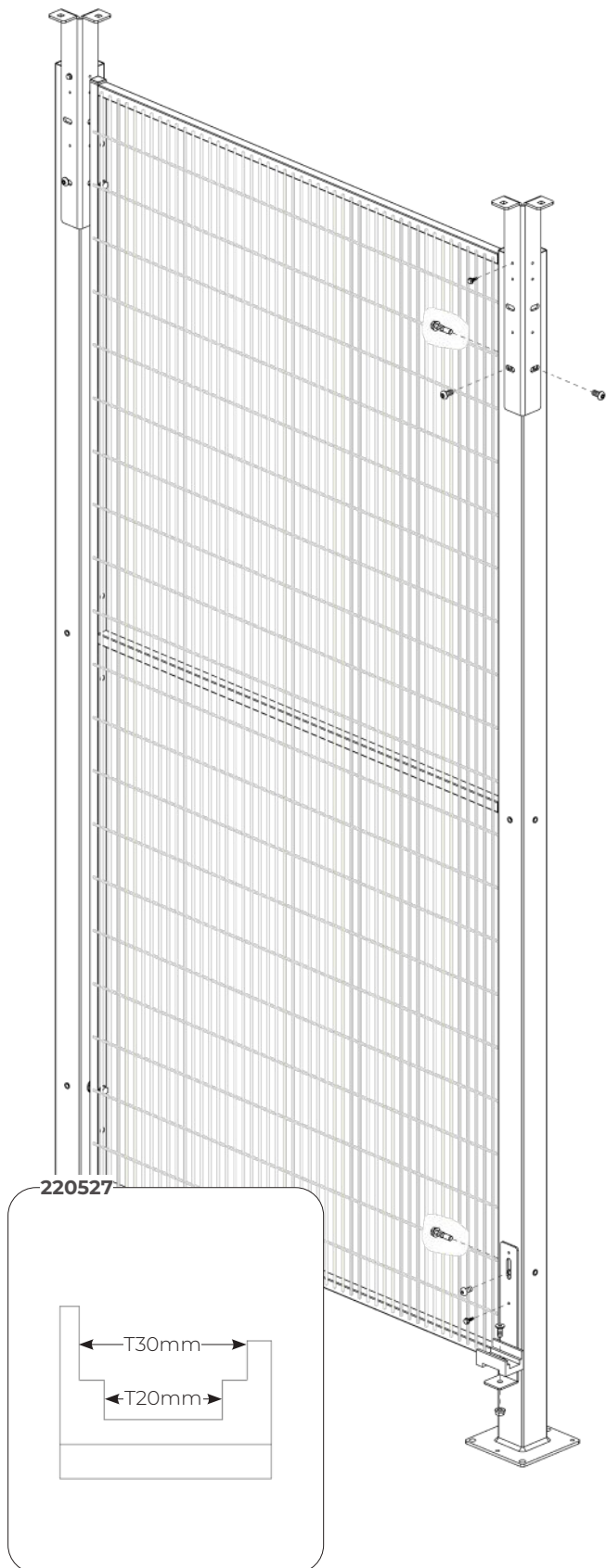
# Opposed Upper Guide Sliding Door

ASSEMBLY INSTRUCTIONS - H 2640



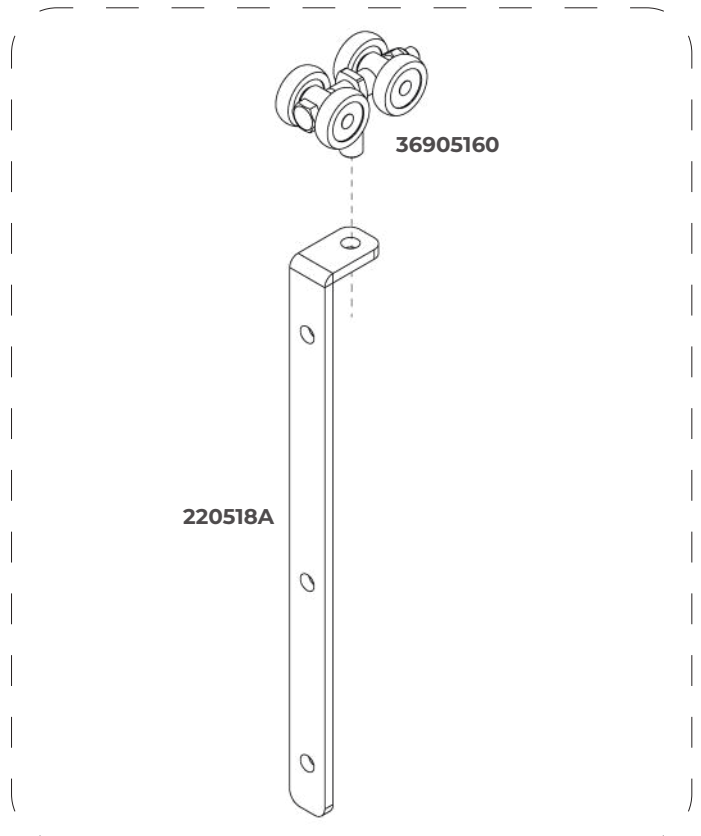
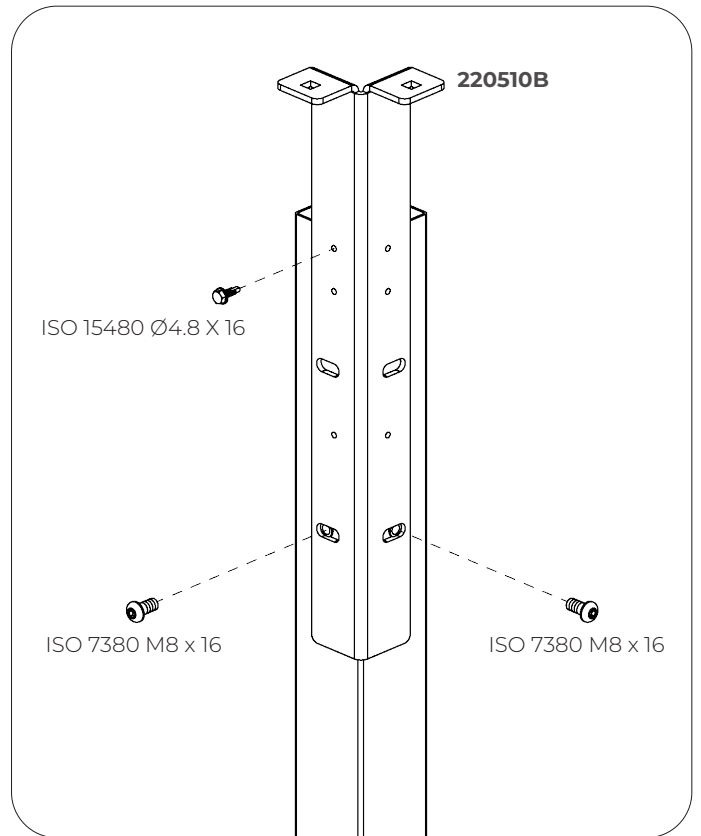
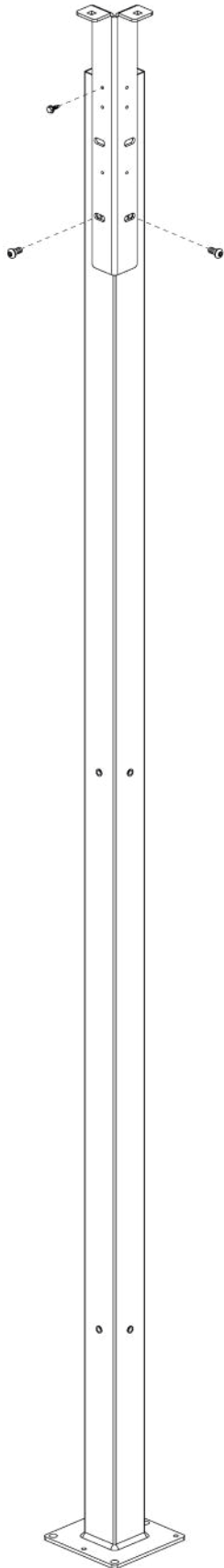
# Opposed Upper Guide Sliding Door

## ASSEMBLY INSTRUCTIONS



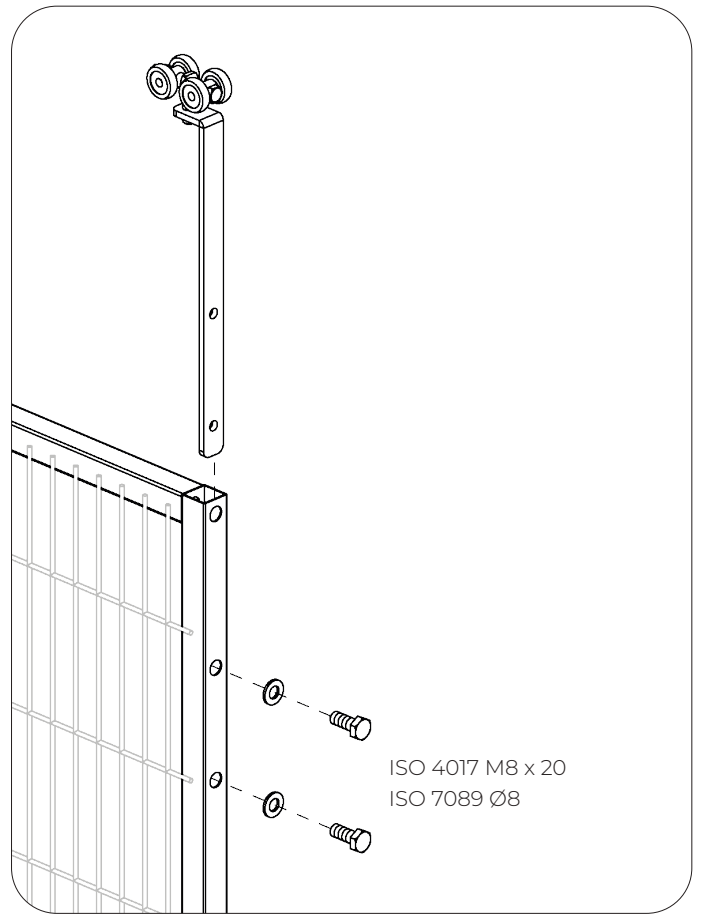
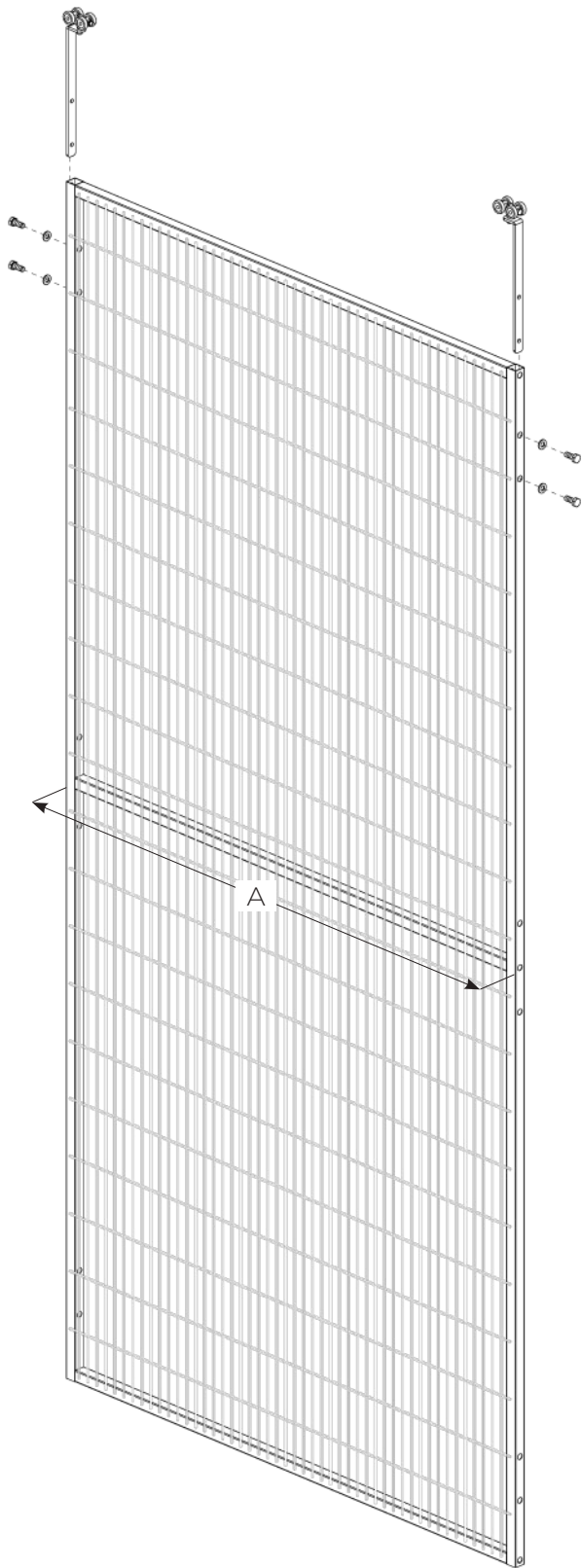
# Opposed Upper Guide **Sliding Door**

ASSEMBLY INSTRUCTIONS



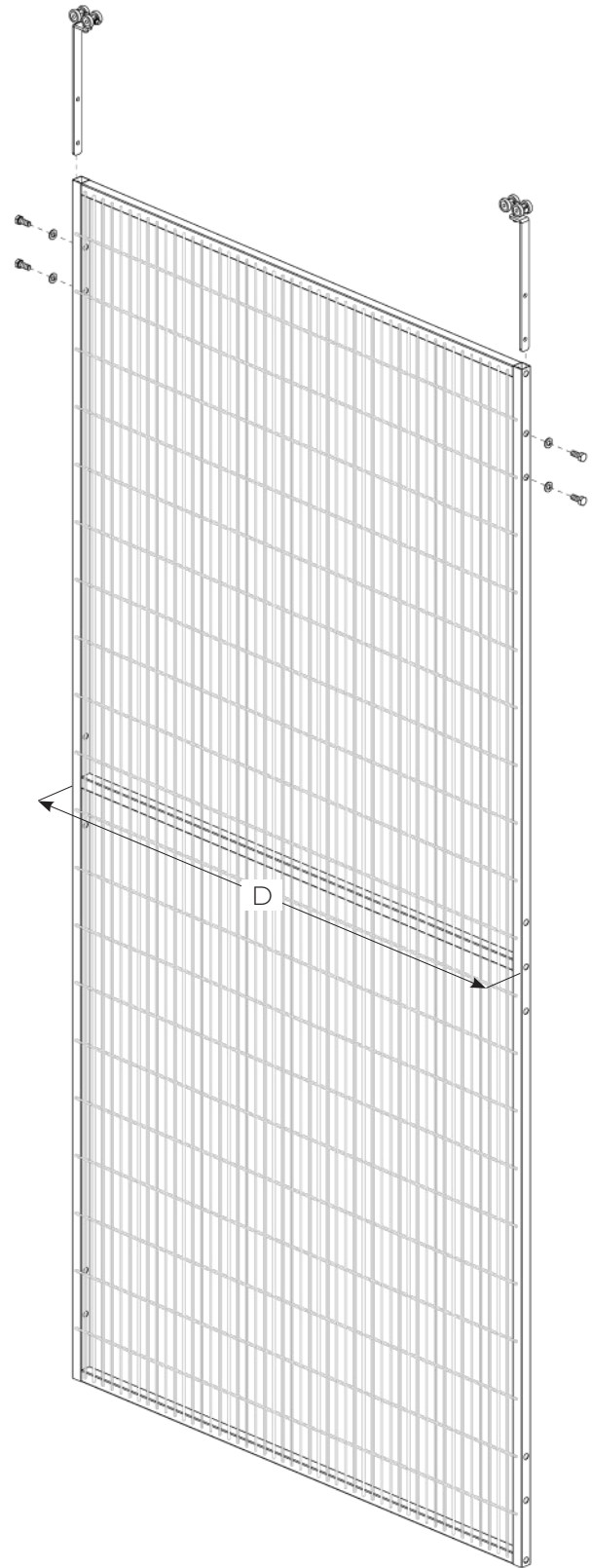
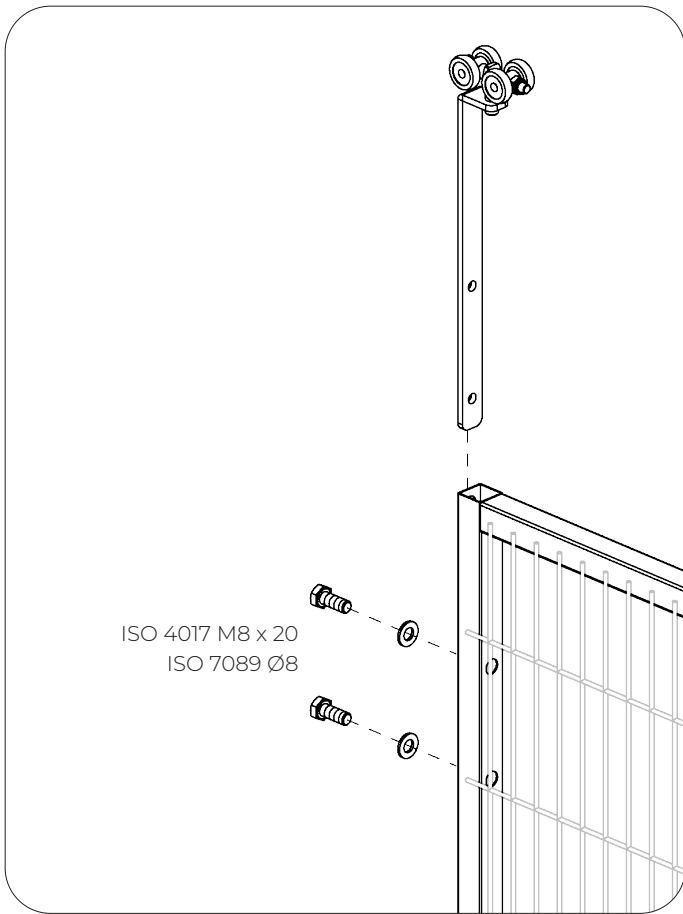
# Opposed Upper Guide **Sliding Door**

ASSEMBLY INSTRUCTIONS



# Opposed Upper Guide **Sliding Door**

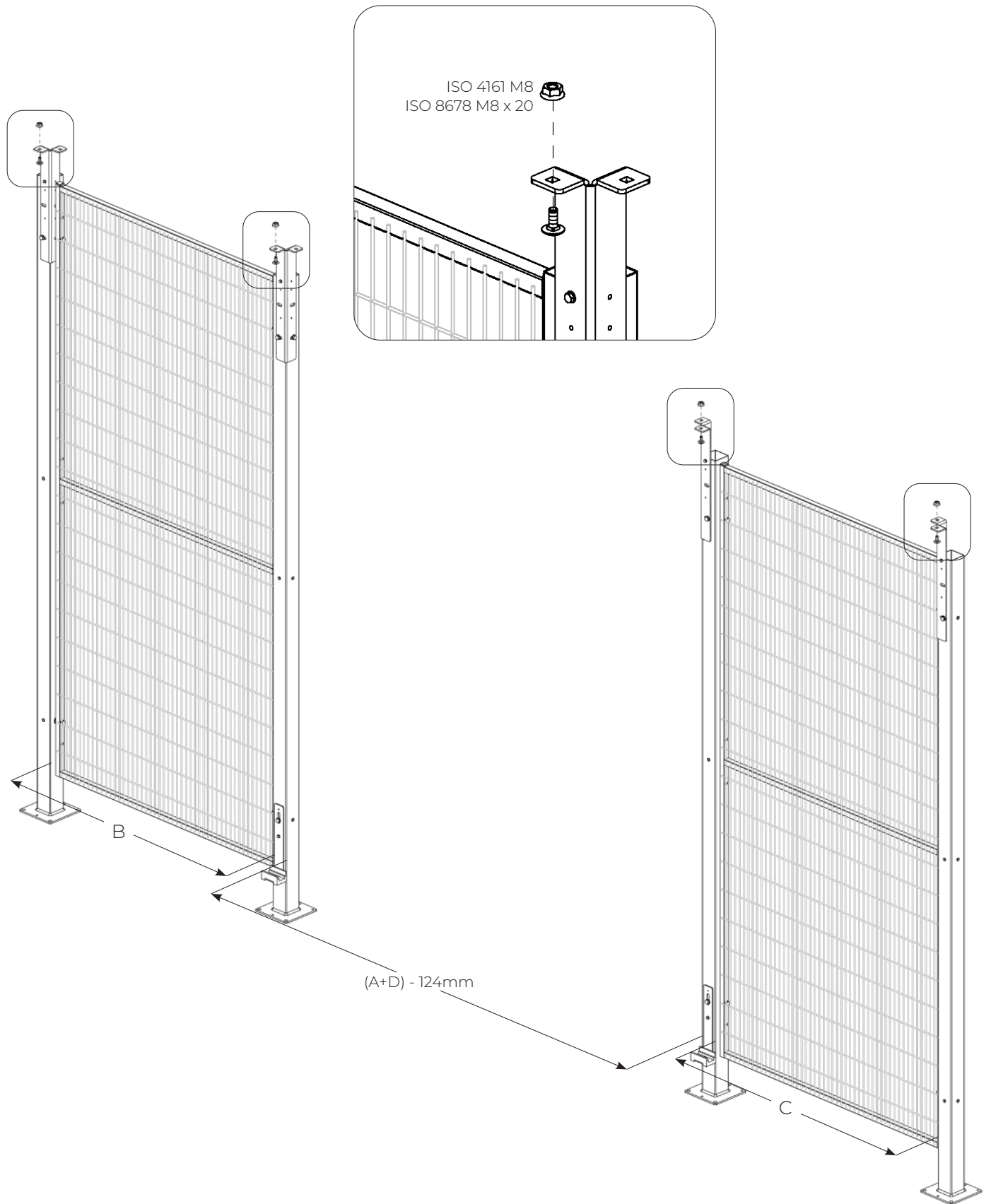
ASSEMBLY INSTRUCTIONS





# Opposed Upper Guide Sliding Door

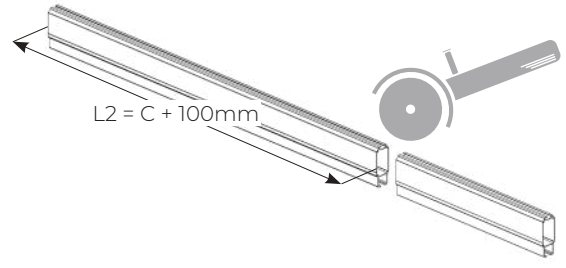
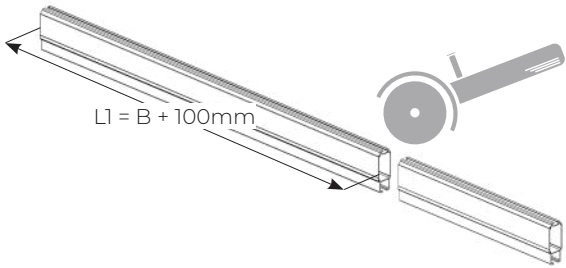
## ASSEMBLY INSTRUCTIONS



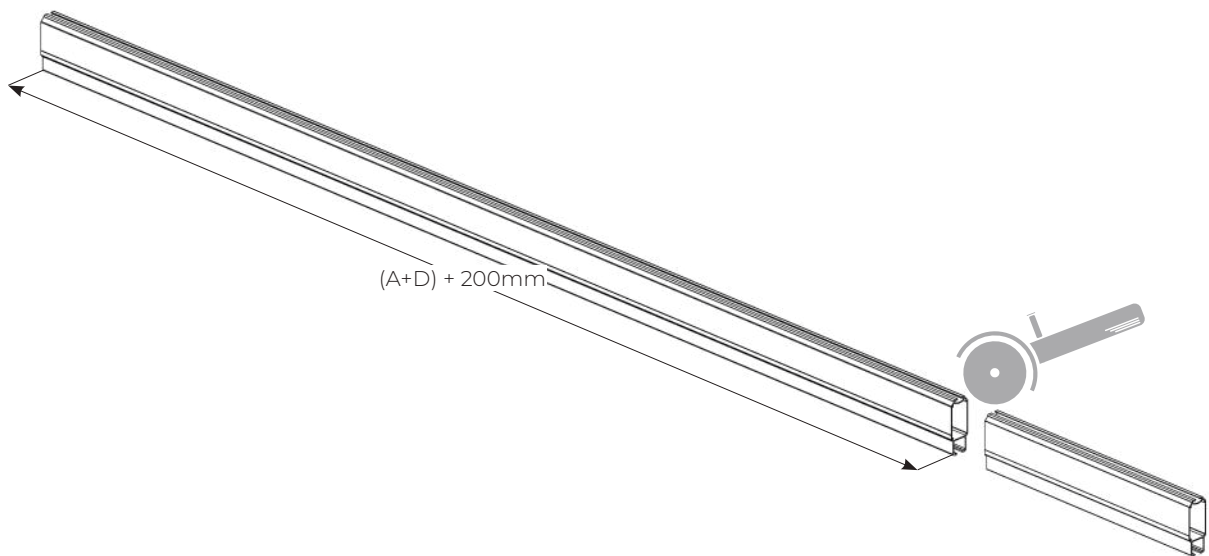
# Opposed Upper Guide **Sliding Door**

ASSEMBLY INSTRUCTIONS

220519

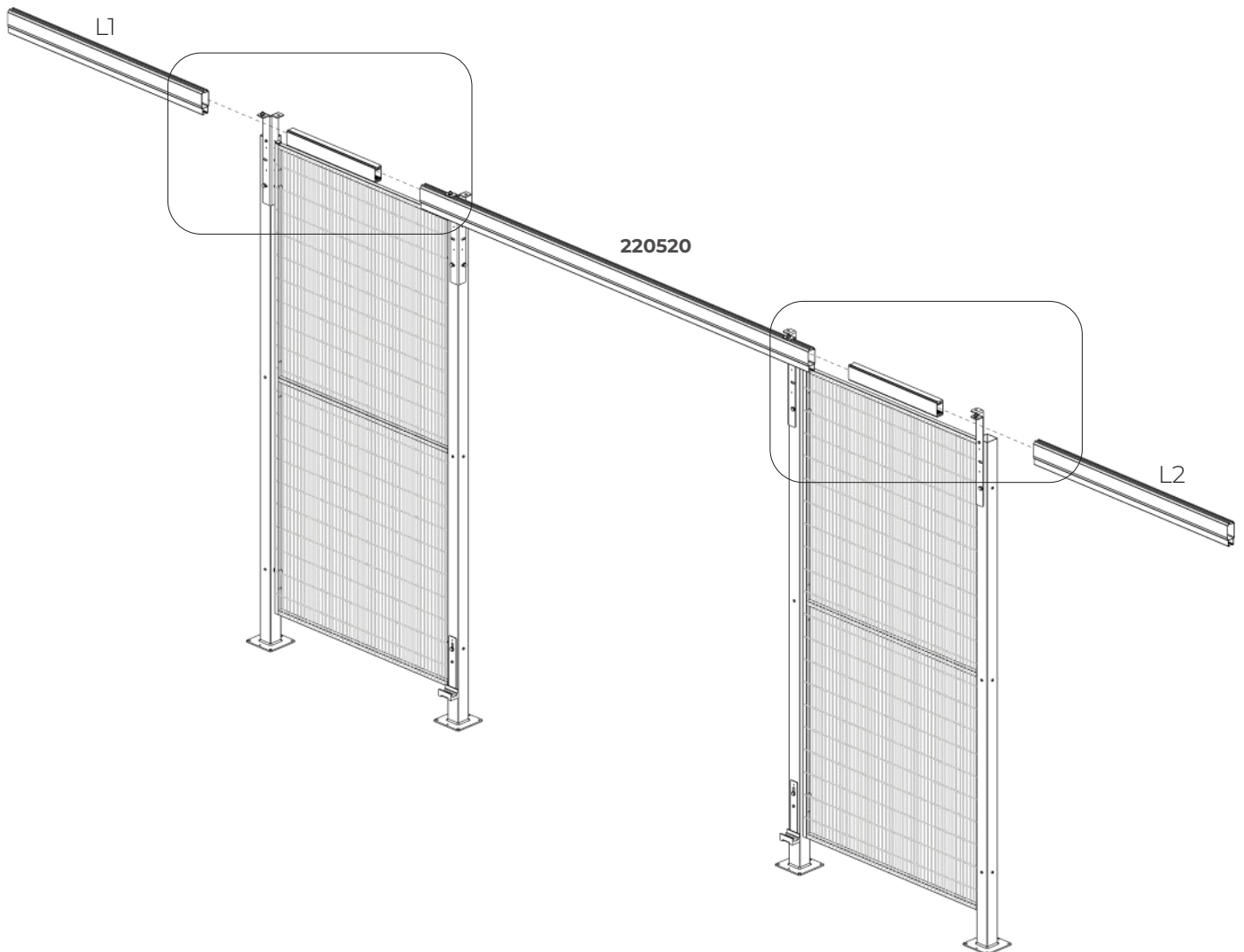
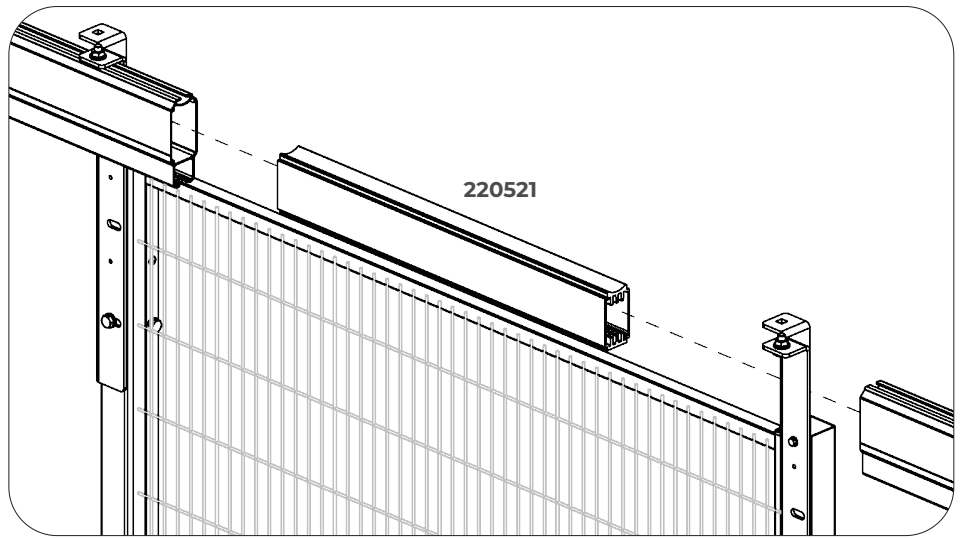
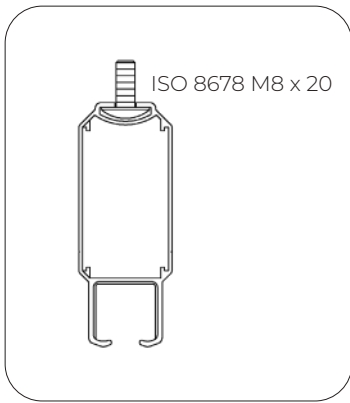


220520



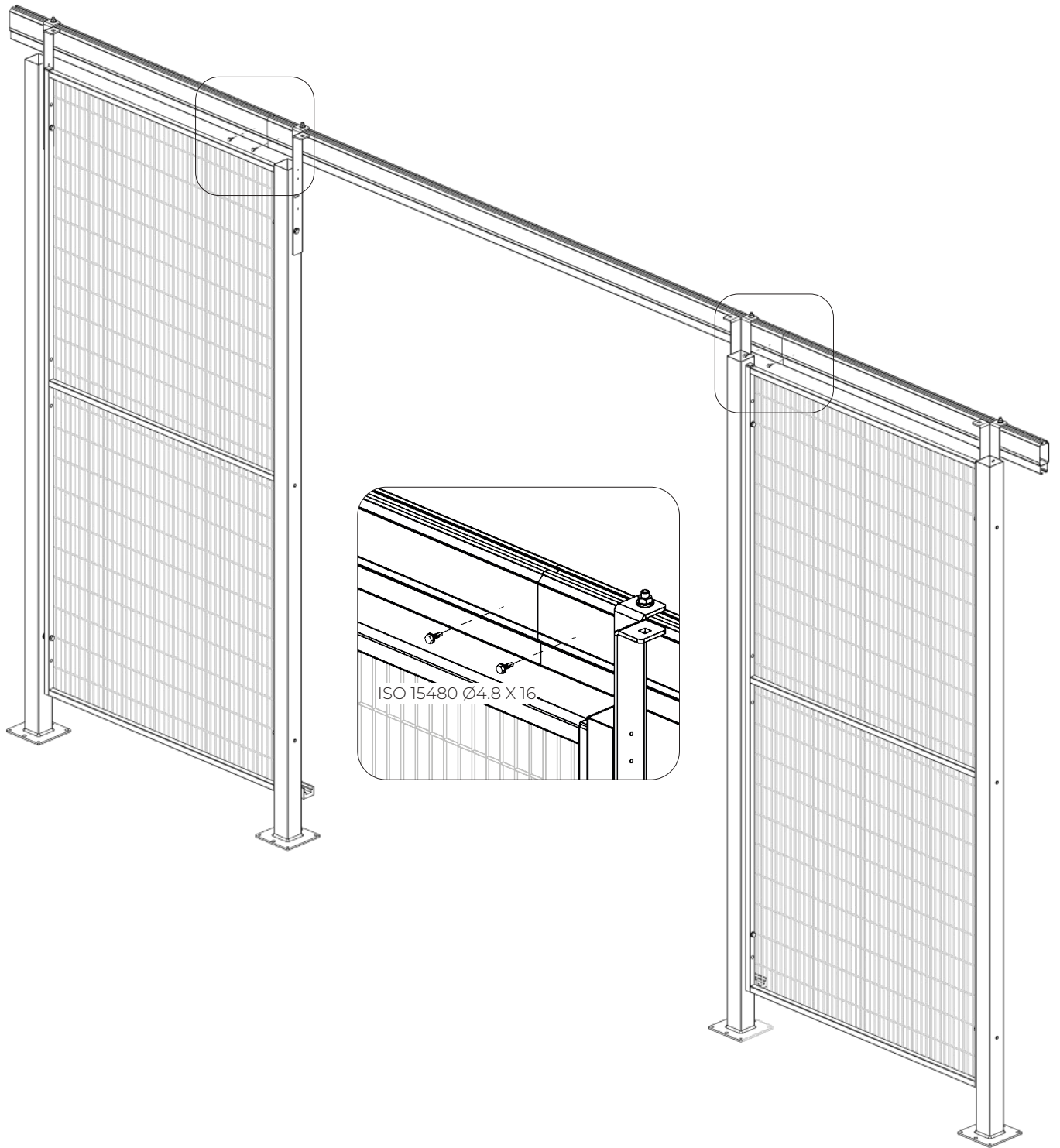
# Opposed Upper Guide Sliding Door

ASSEMBLY INSTRUCTIONS



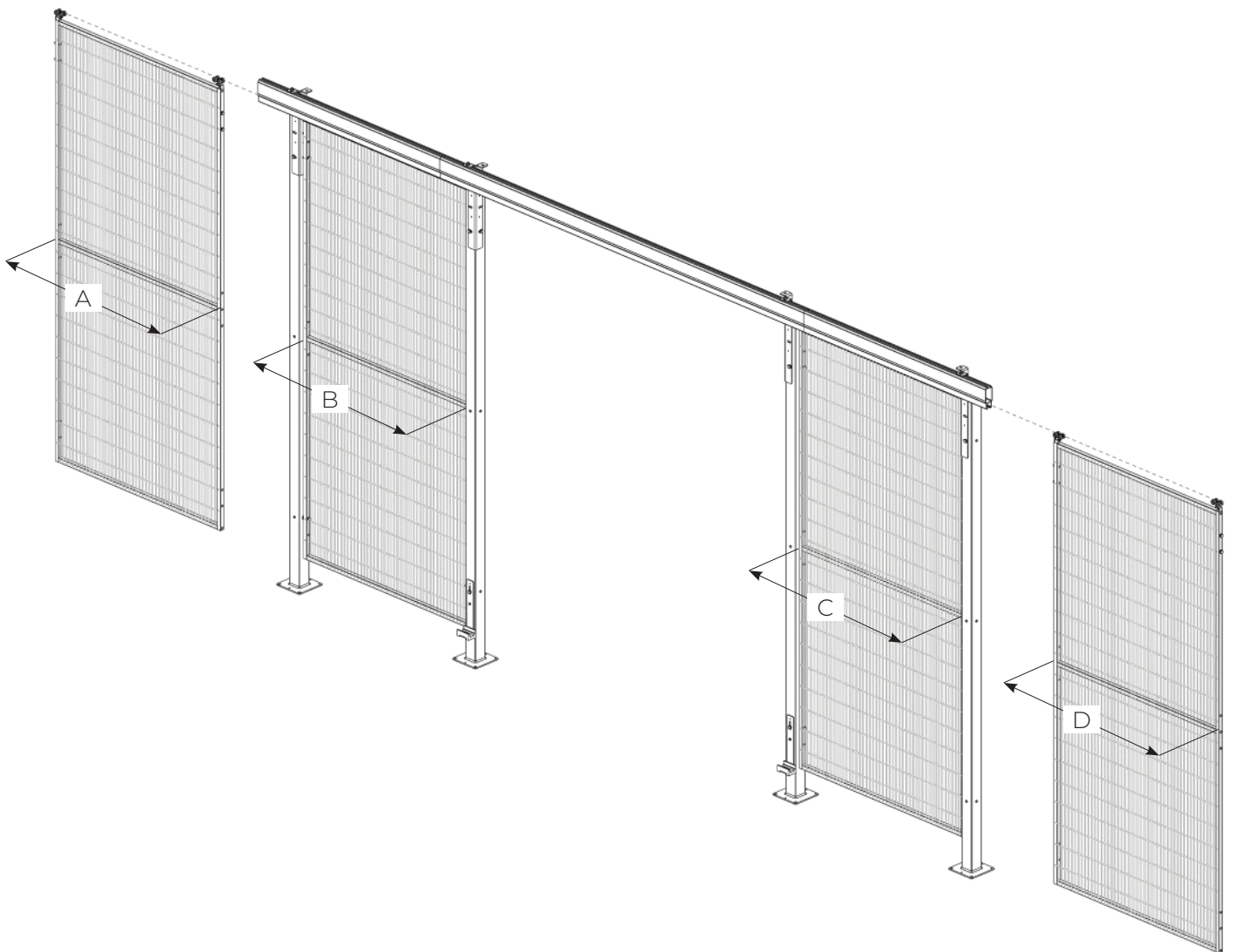
# Opposed Upper Guide Sliding Door

ASSEMBLY INSTRUCTIONS



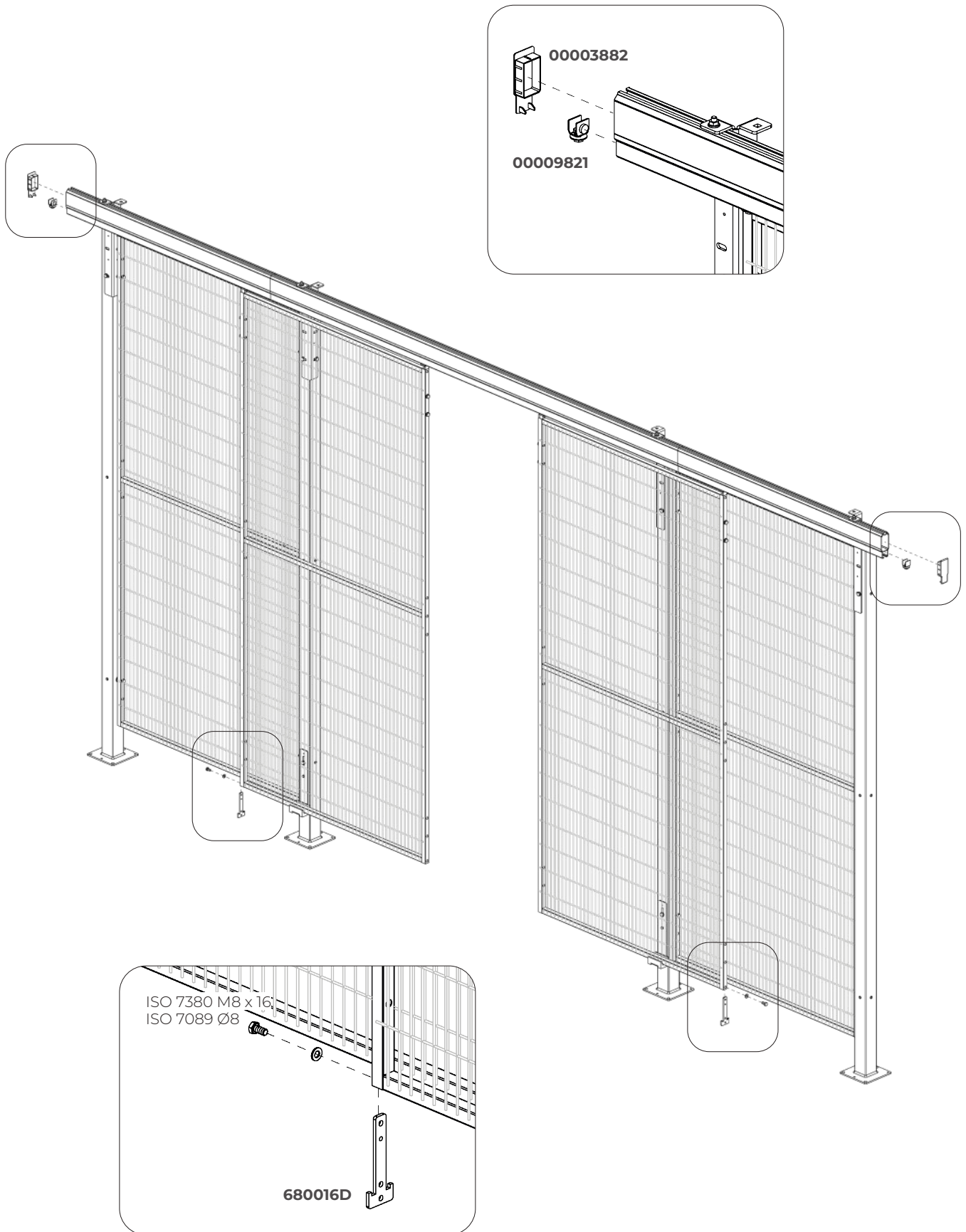
# Opposed Upper Guide **Sliding Door**

ASSEMBLY INSTRUCTIONS



# Opposed Upper Guide Sliding Door

ASSEMBLY INSTRUCTIONS

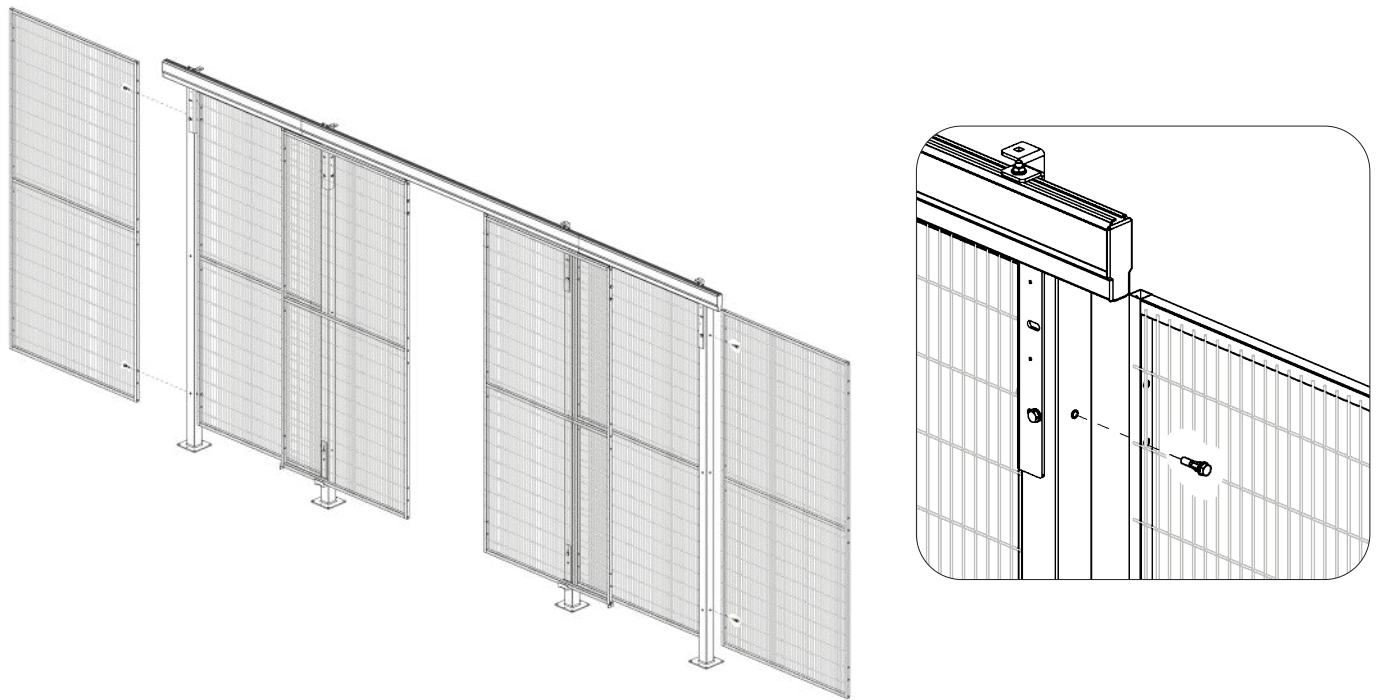




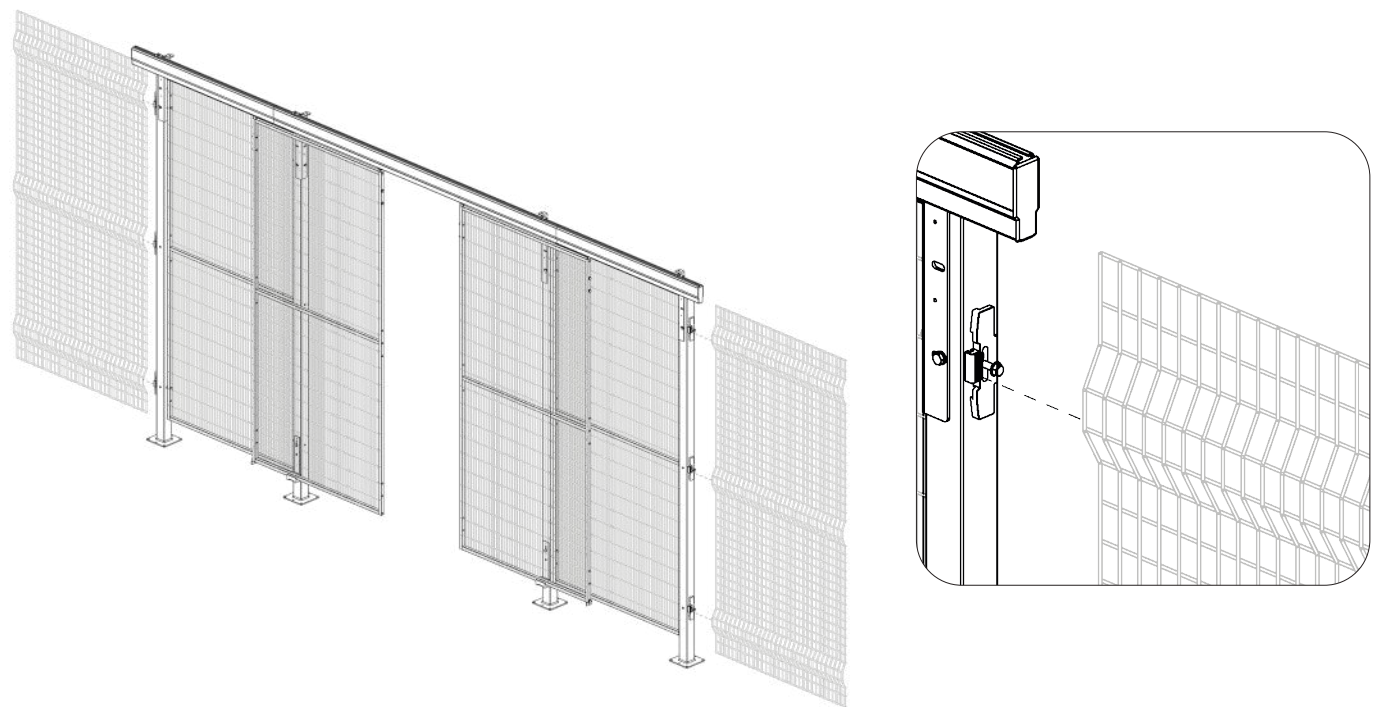
# Opposed Upper Guide **Sliding Door**

ASSEMBLY INSTRUCTIONS - LINEAR

## ImpactGuard



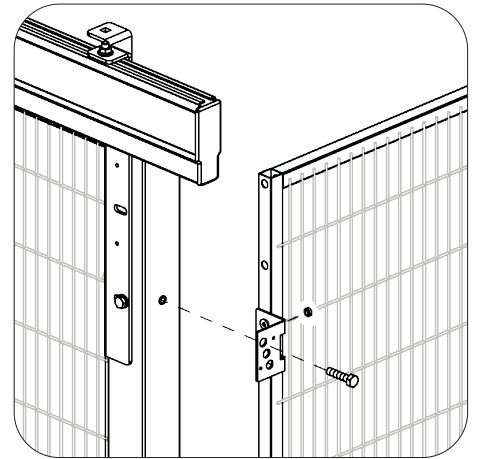
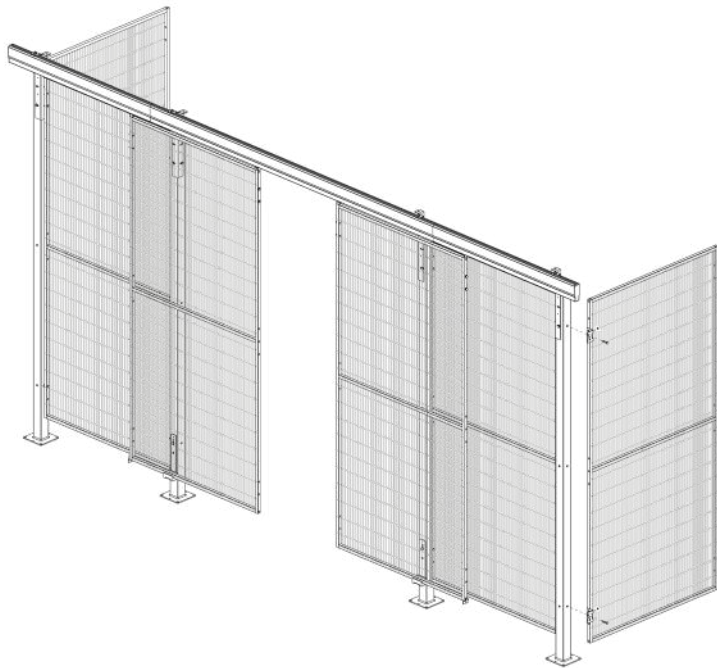
## AdaptaGuard



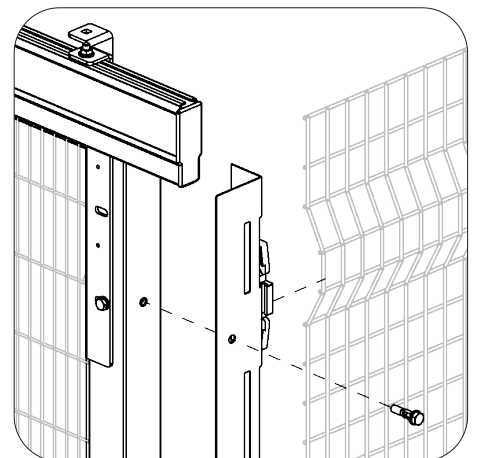
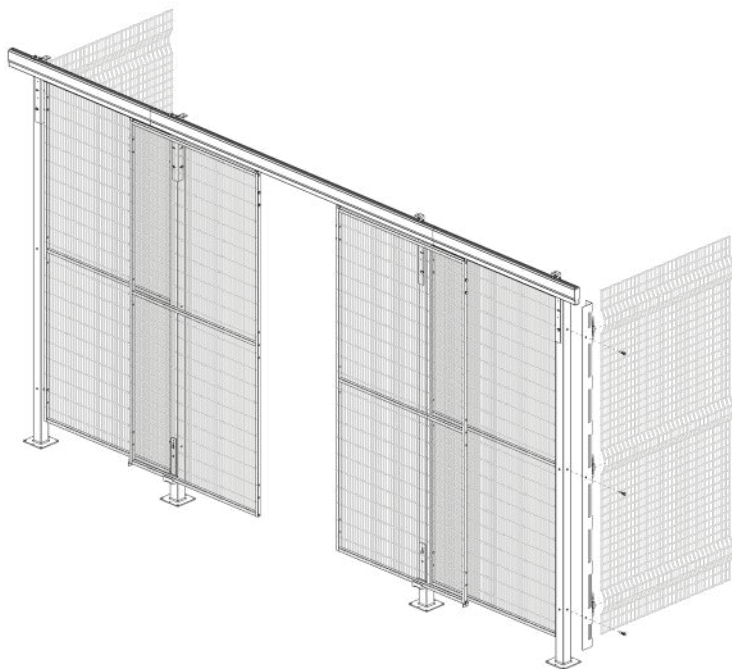
# Opposed Upper Guide **Sliding Door**

ASSEMBLY INSTRUCTIONS - ANGULAR

## ImpactGuard



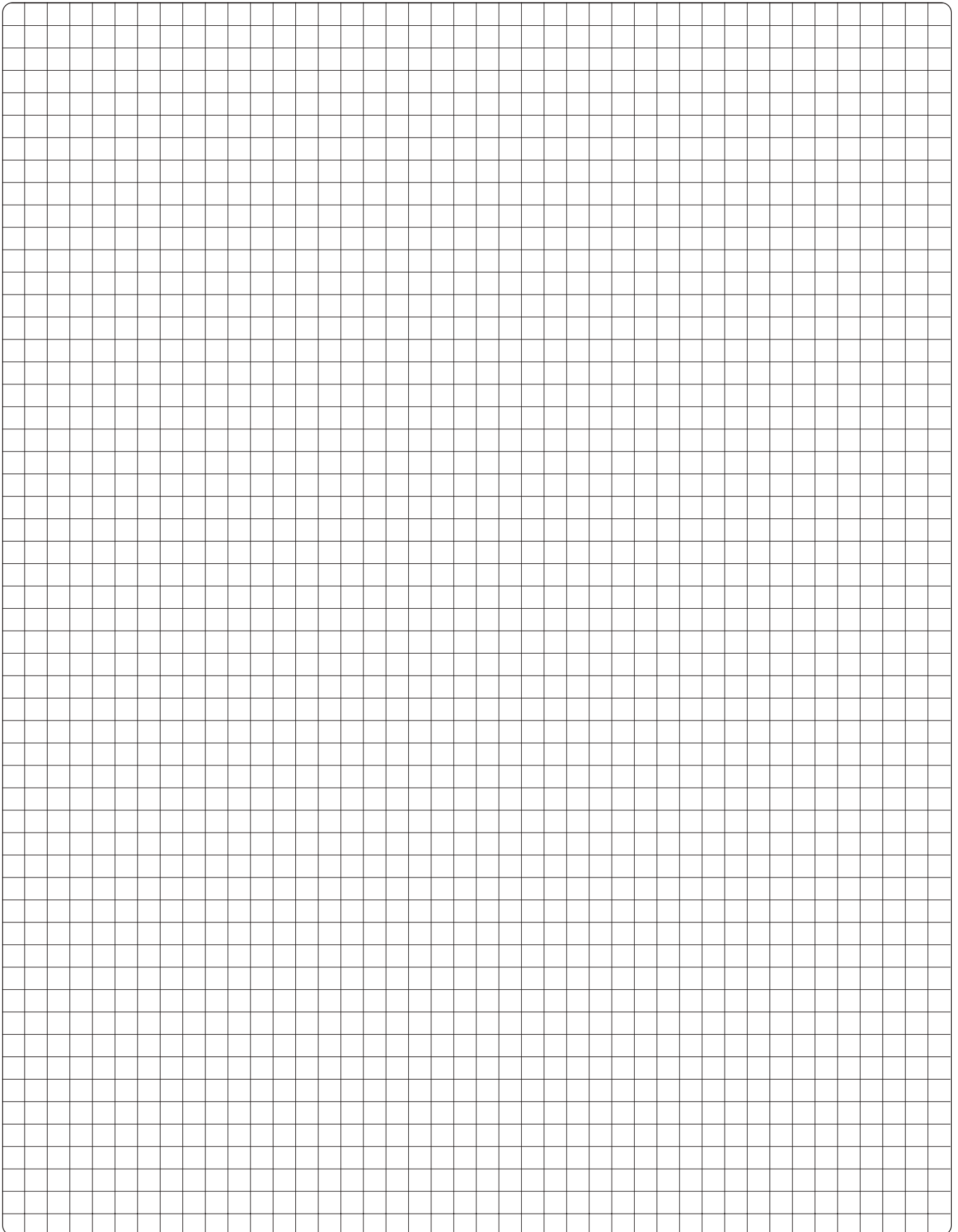
## AdaptaGuard





# Opposed Upper Guide **Sliding Door**

NOTES



# Modular Machine Guards that fit your needs.

Tailor-made solutions for the safety of operators and machinery



Protecting workers and machinery is paramount to create a safe and productive work environment. Satech Modular Machine Guards Systems, Doors and Accessories provide tailor-made solutions for any machinery layout need. **3 framed Systems, 2 frameless Systems** and **more than 150 Locks/Interlocks** ensure the maximum level of protection (PL) when accessing hazard areas for inspection or machinery maintenance.

## Perimeter Protection Machine Safety Guards compliant with European and International Standards

Satech Machine Guards are manufactured in compliance with the **EN ISO 14120** standard, "General requirements for the design and construction of fixed and movable guards". They can be installed at a minimum distance of **120 mm from hazard** (as for EN ISO 13857), saving you plenty of layout space.

All Satech products are manufactured with **quality materials** and are highly durable. Mesh panels and other panel solutions can be easily and rapidly connected to posts (with captive retained fastenings, as for 2006/42/CE - Machinery Directive), which allows you to greatly **reduce assembly time**.

Founded in 2000, Satech was the first Italian Perimeter Guards Manufacturer. A **modern international company** today, in our 20+ years of work we have taken care of the safety of thousands of automated machinery systems and of millions of people worldwide. A **Safe Factory** is a **Productive One**.

Our products may be subject to changes or improvements. The images shown here are for illustrative purposes only.



## Need help with this manual?

If you need additional specs, tips or manuals, please call our **Customer Service** at

**+39 031 86230 85**

**SATECH**  
Modular Machine Guards

Satech Safety Technology SpA

Via Conte Taverna, 1  
I-23892 Bulciago (LC)  
Phone +39 031 86230 11



**CERTIFIED**  
**ISO 9001**  
**ISO 14001**  
**ISO 45001**

