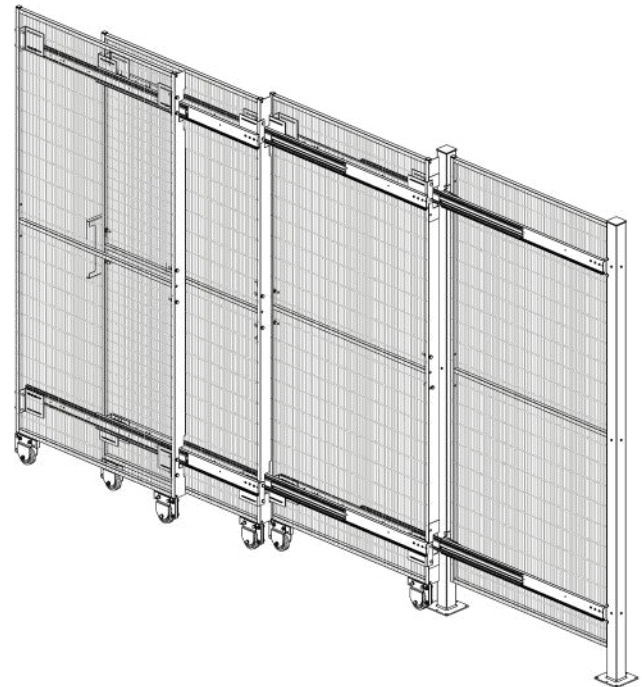
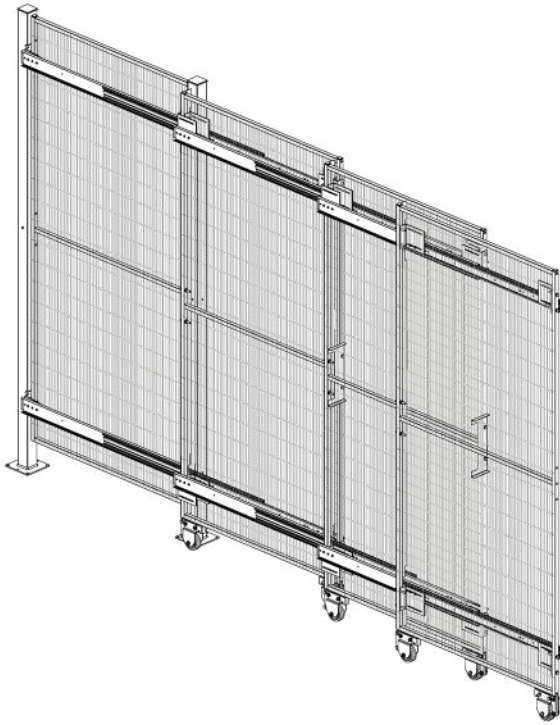
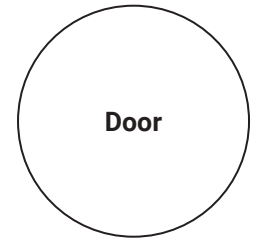


TRIPLE STAGE

Opposed Open Passage TX Sliding Door

ASSEMBLY INSTRUCTIONS

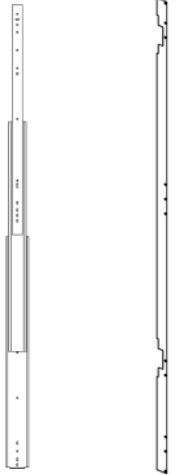


Opposed Open Passage TX Triple-Stage Sliding Door

ASSEMBLY INSTRUCTIONS

7BINTX

220543

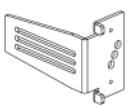


x 12

x 6

403000000000013

220540



x 8

220541



x 8

220545



x 4

400100000000005 X4

ISO 4017 M8 x 50



x 10

ISO 7380 M5 x 12



x 11

ISO 7089 Ø8



x 10

ISO 4161 M8



x 4

ISO 4161 M5



x 11

403000000000019

401100000000006 X4

220531



x 1

220530



x 1

7RTGOMMA



x 1

220532



x 2

400100000000002

ISO 4017 M8 X 60



x 2

ISO 4017 M8 X 40



x 2

ISO 4017 M8 X 30



x 2

ISO 7089 Ø8



x 5

ISO 4161 M8



x 5

Opposed Open Passage TX Triple-Stage Sliding Door

ASSEMBLY INSTRUCTIONS

403000000000020 X4

220541

690181



x 8



x 7

400100000000005 X2

ISO 4017 M8 x 50

ISO 7380 M5 x 12

ISO 7089 Ø8

ISO 4161 M8

ISO 4161 M5



x 10



x 11



x 10



x 4

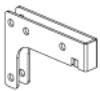


x 11

401100000000006 X2

220531

220530



x 1



x 1

7RTGOMMA

220532



x 1



x 2

400100000000002

ISO 4017 M8 X 60

ISO 4017 M8 X 40

ISO 4017 M8 X 30

ISO 7089 Ø8

ISO 4161 M8



x 2



x 2



x 2

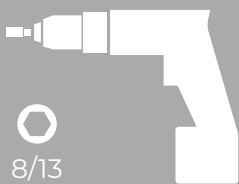


x 5



x 5

Tools



8/13



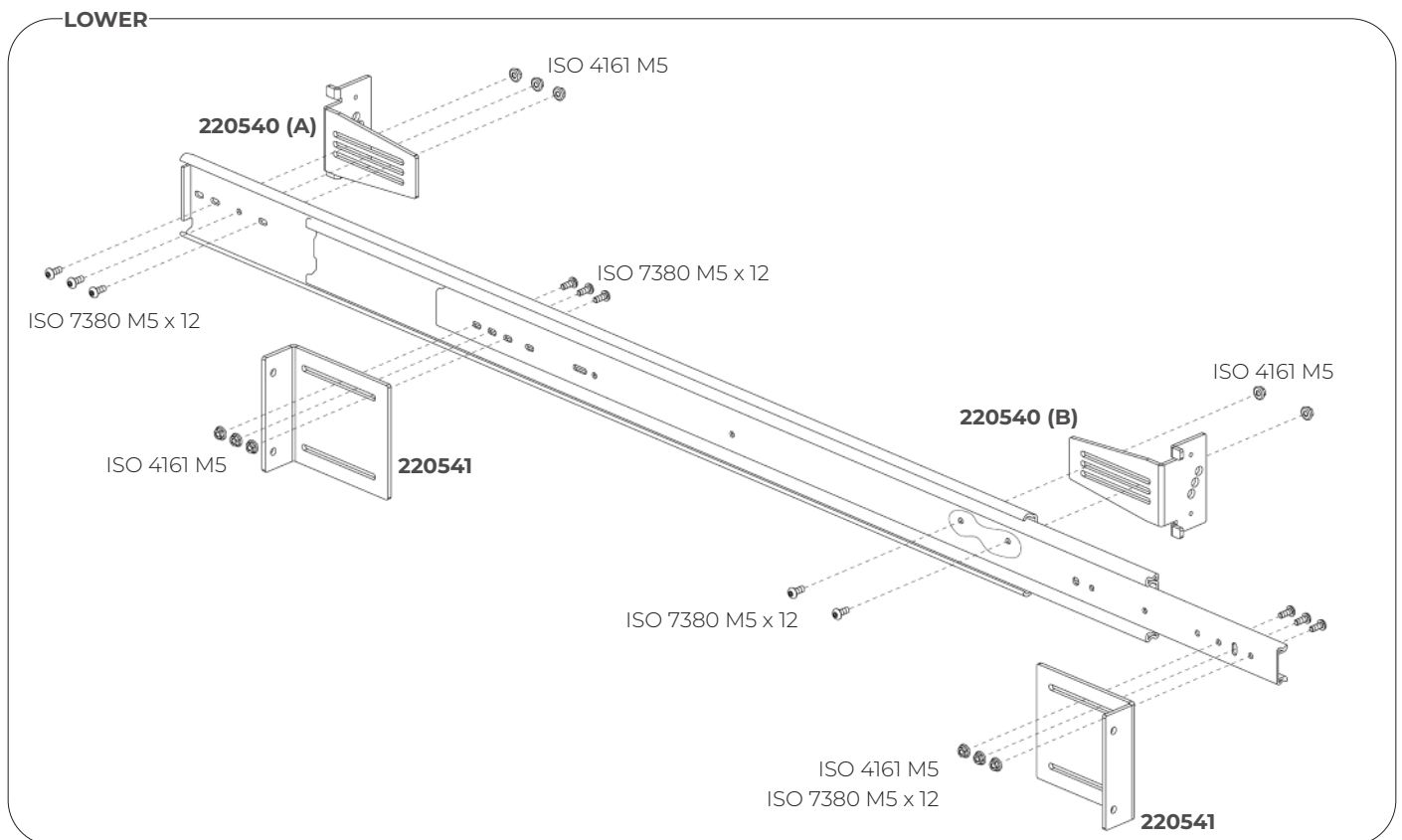
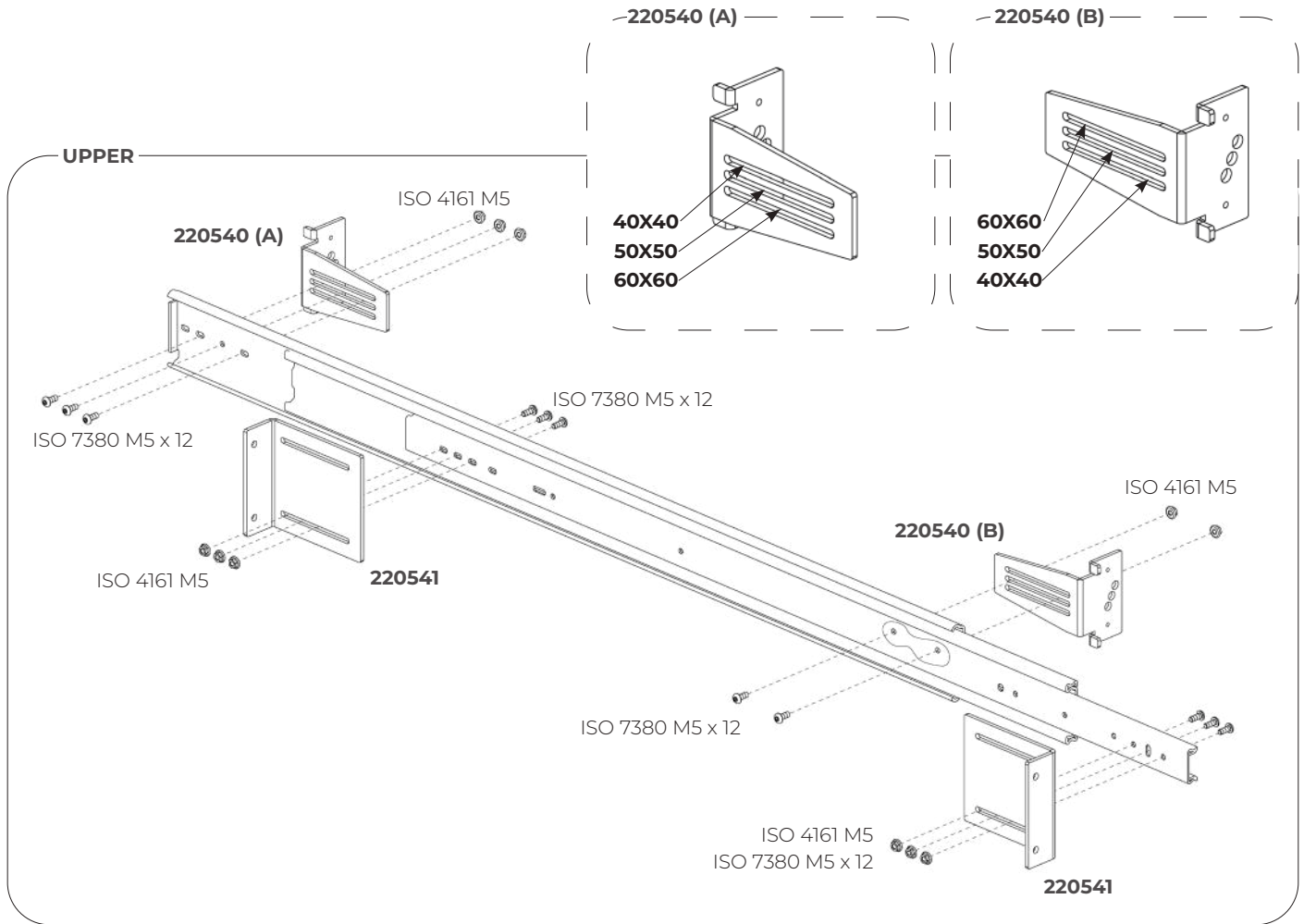
13



5

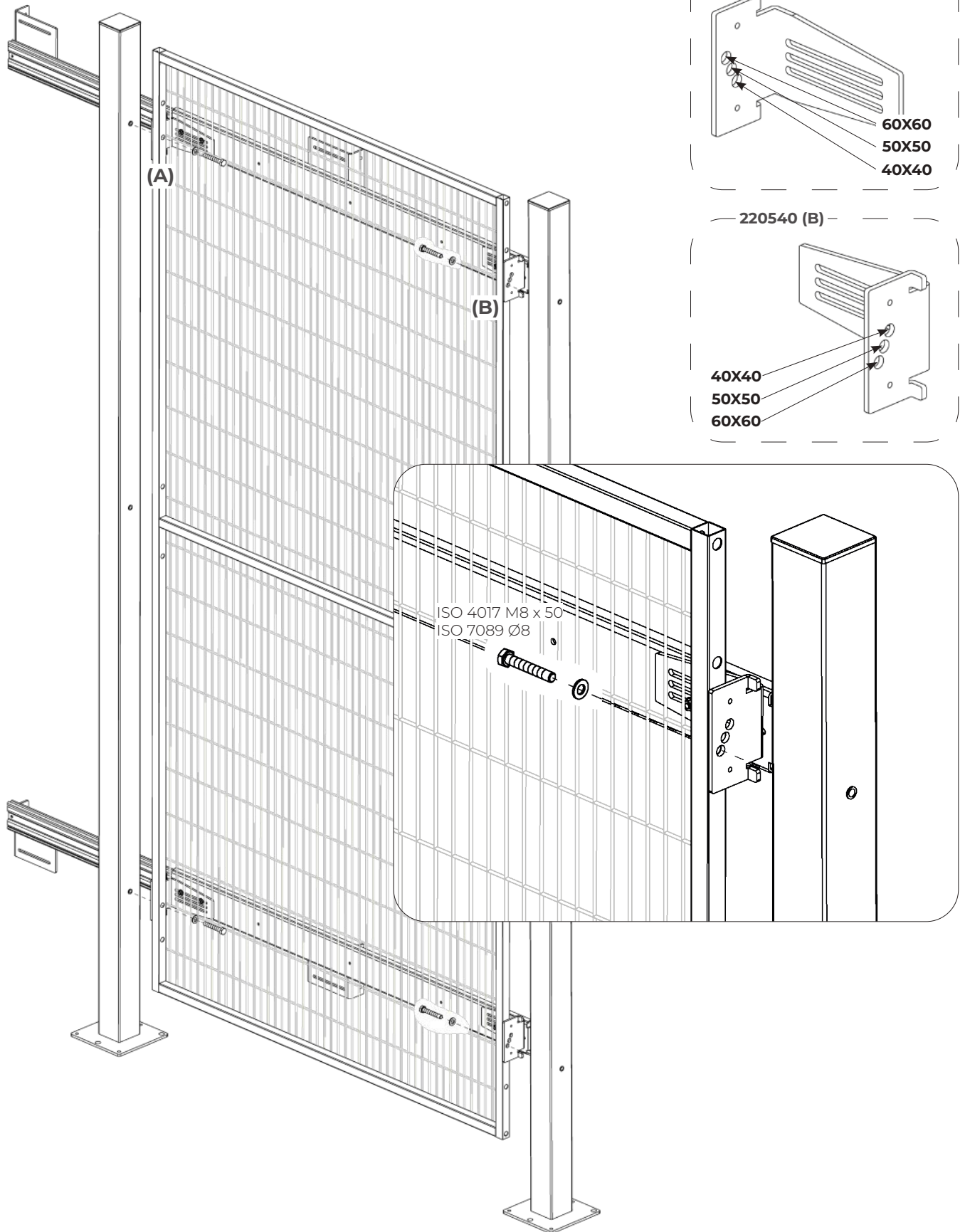
Opposed Open Passage TX Triple-Stage Sliding Door

ASSEMBLY INSTRUCTIONS



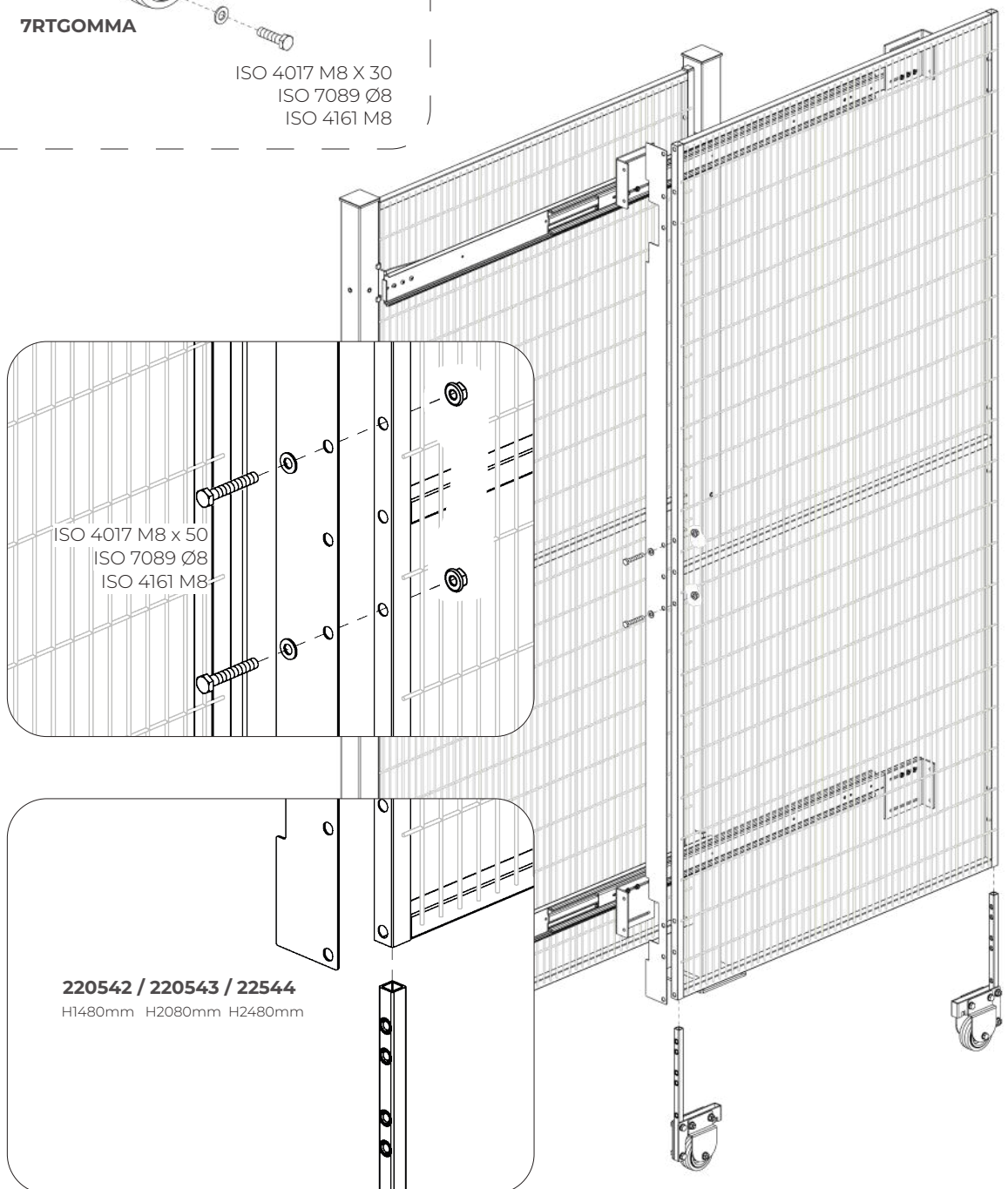
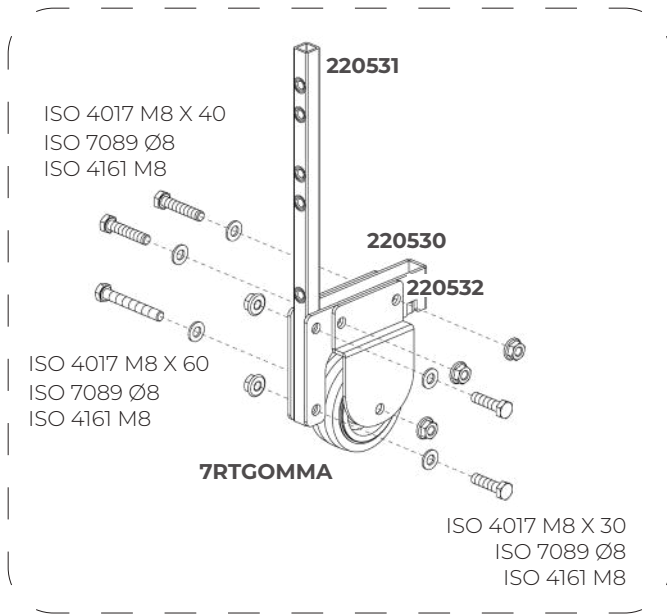
Opposed Open Passage TX Triple-Stage Sliding Door

ASSEMBLY INSTRUCTIONS



Opposed Open Passage TX Triple-Stage Sliding Door

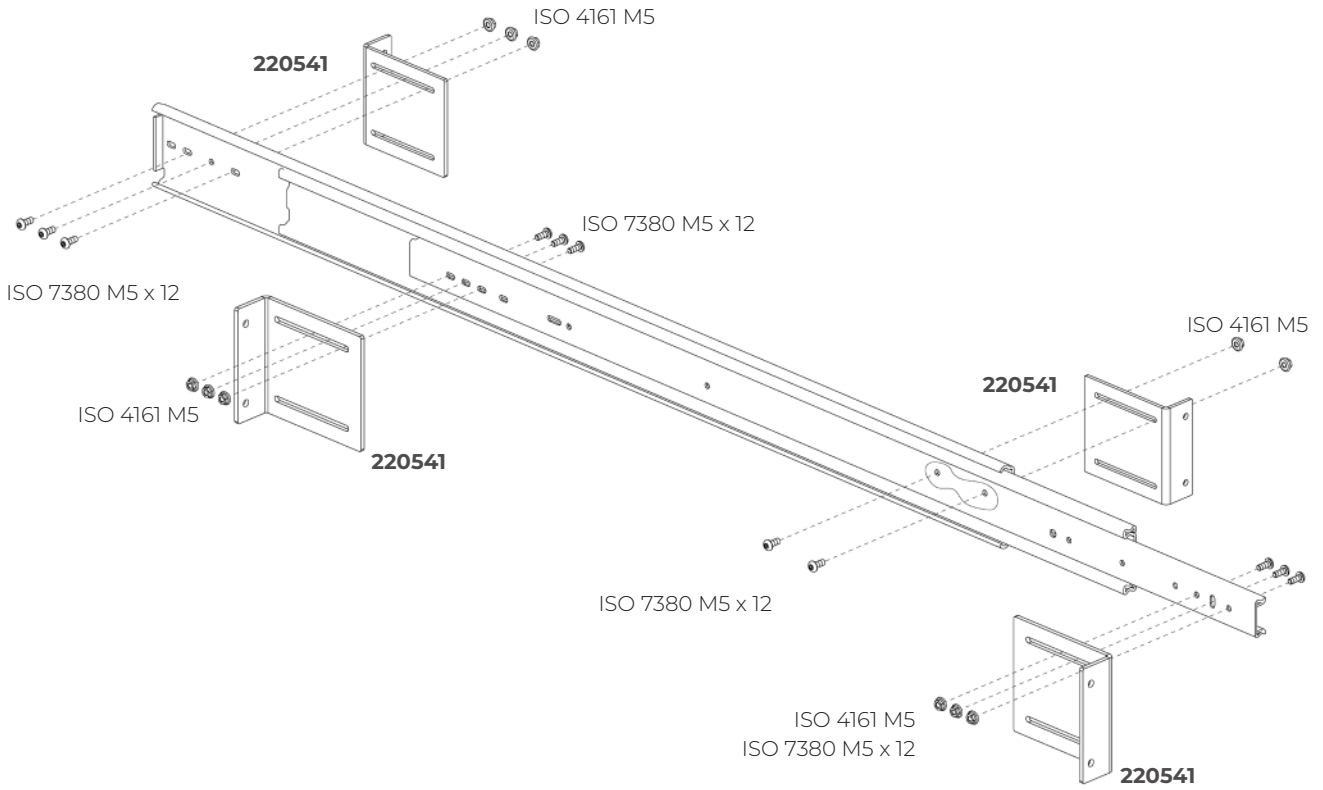
ASSEMBLY INSTRUCTIONS



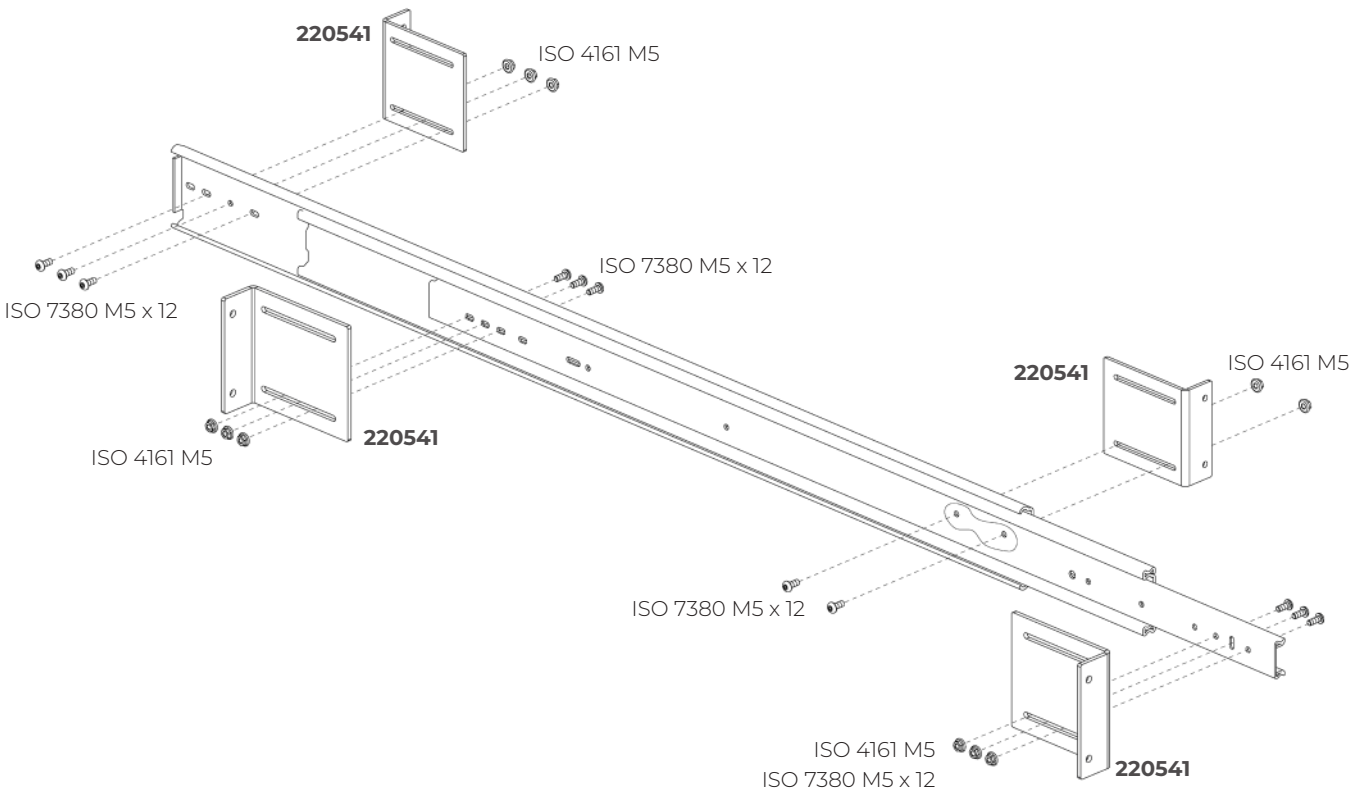
Opposed Open Passage TX Triple-Stage Sliding Door

ASSEMBLY INSTRUCTIONS

UPPER

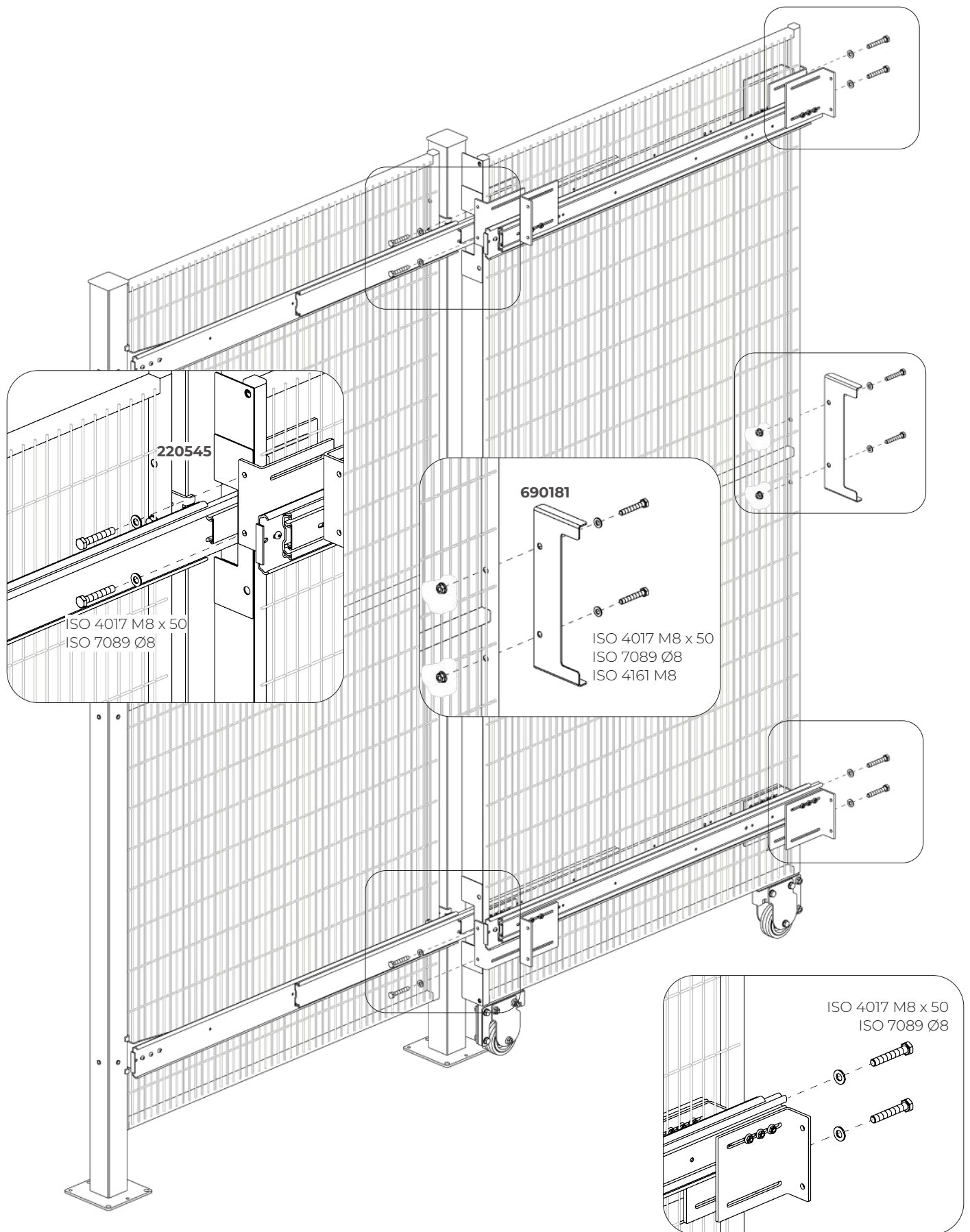


LOWER



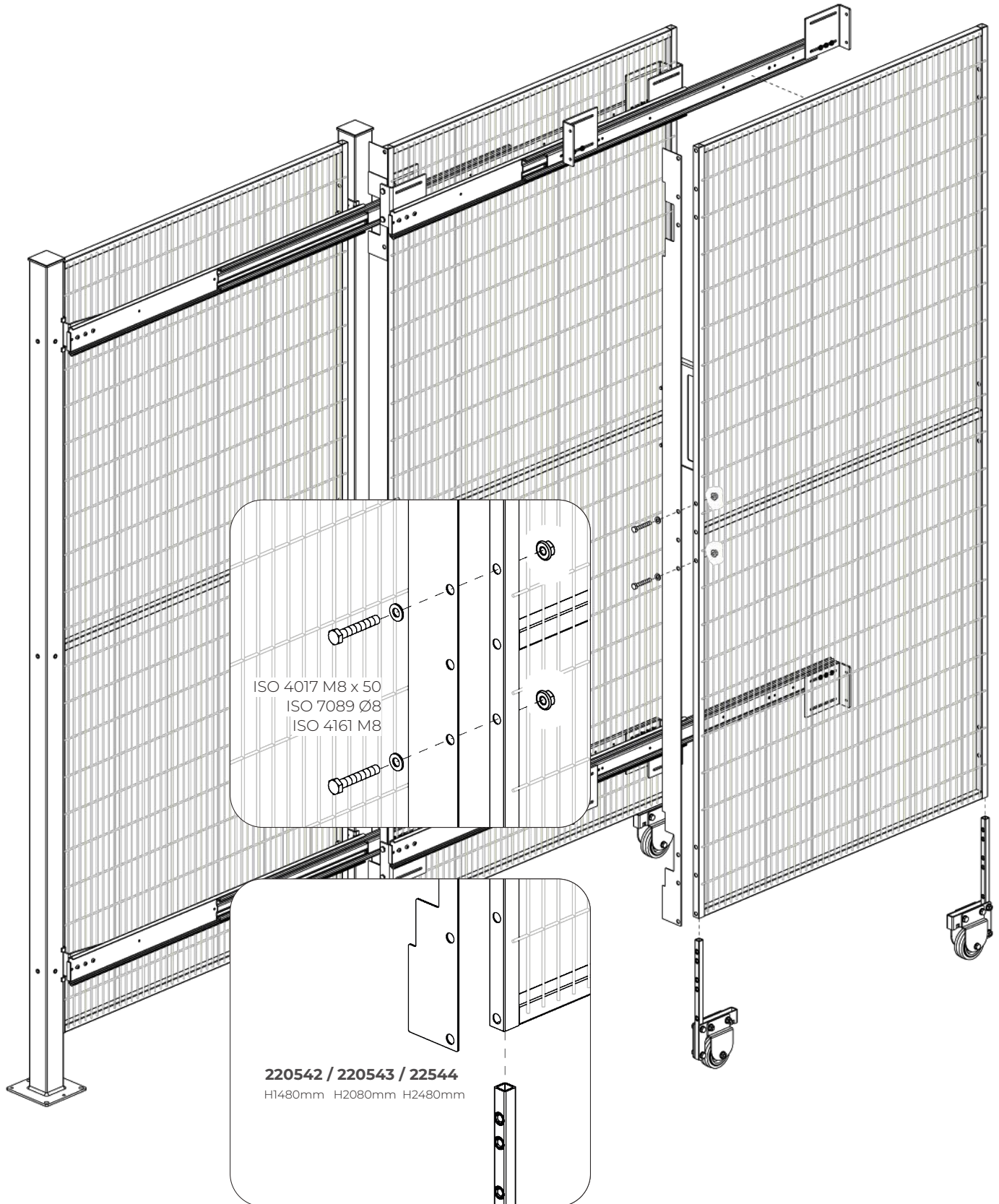
Opposed Open Passage TX Triple-Stage Sliding Door

ASSEMBLY INSTRUCTIONS



Opposed Open Passage TX Triple-Stage Sliding Door

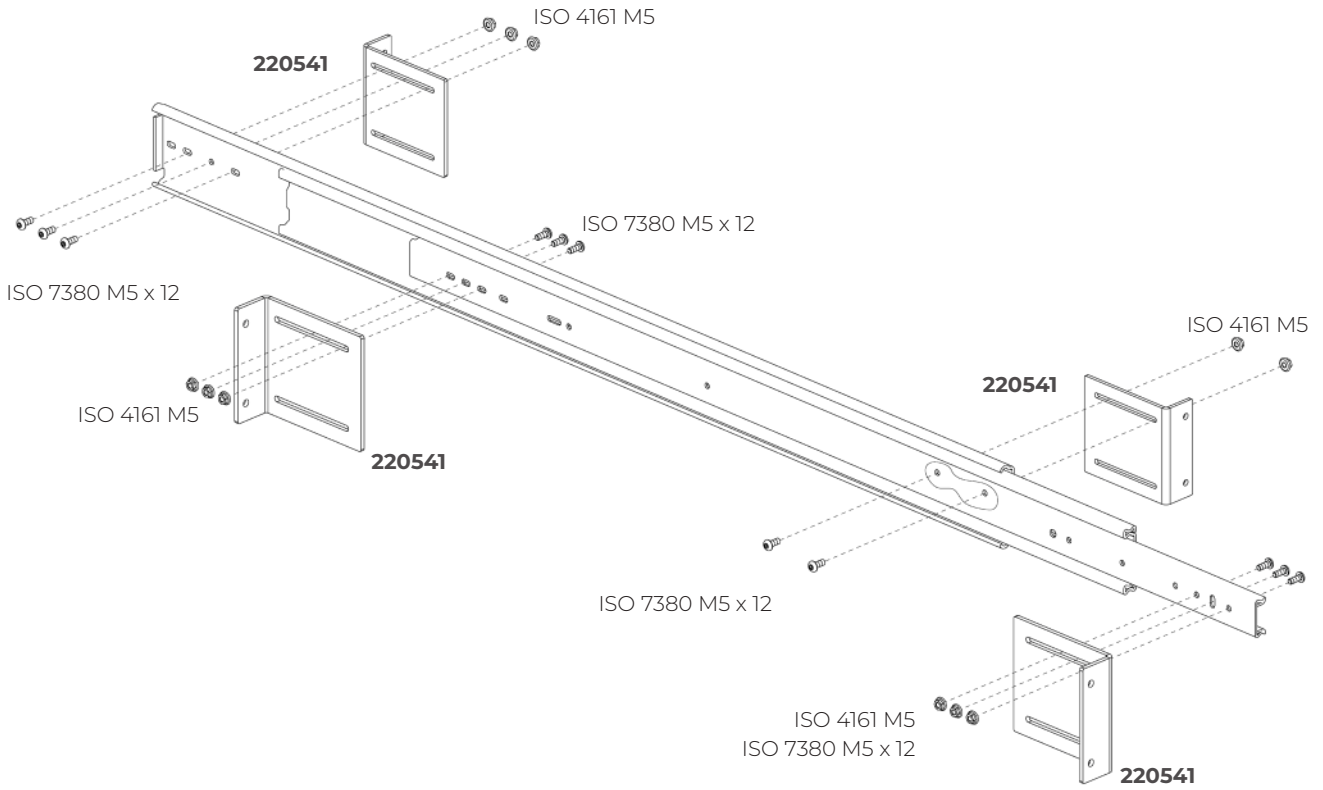
ASSEMBLY INSTRUCTIONS



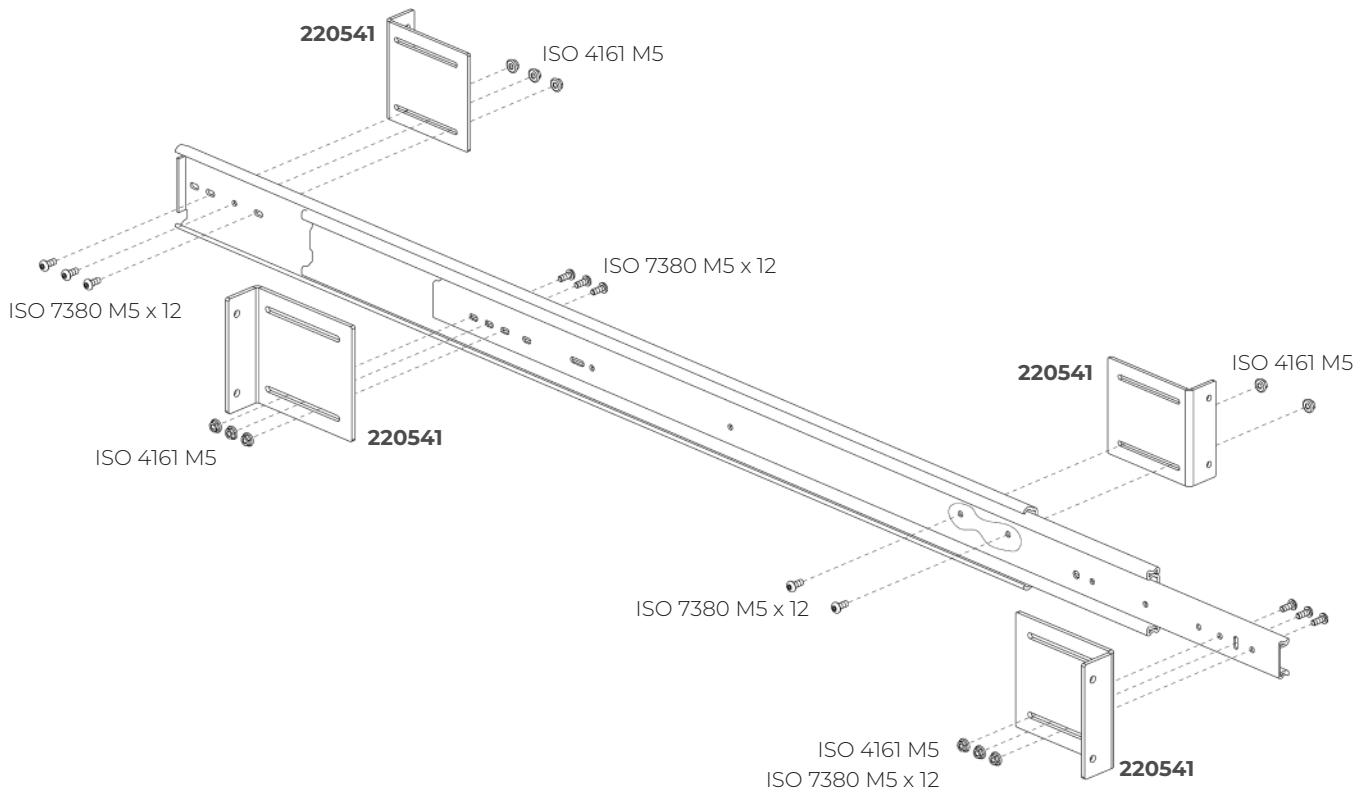
Opposed Open Passage TX Triple-Stage Sliding Door

ASSEMBLY INSTRUCTIONS

UPPER

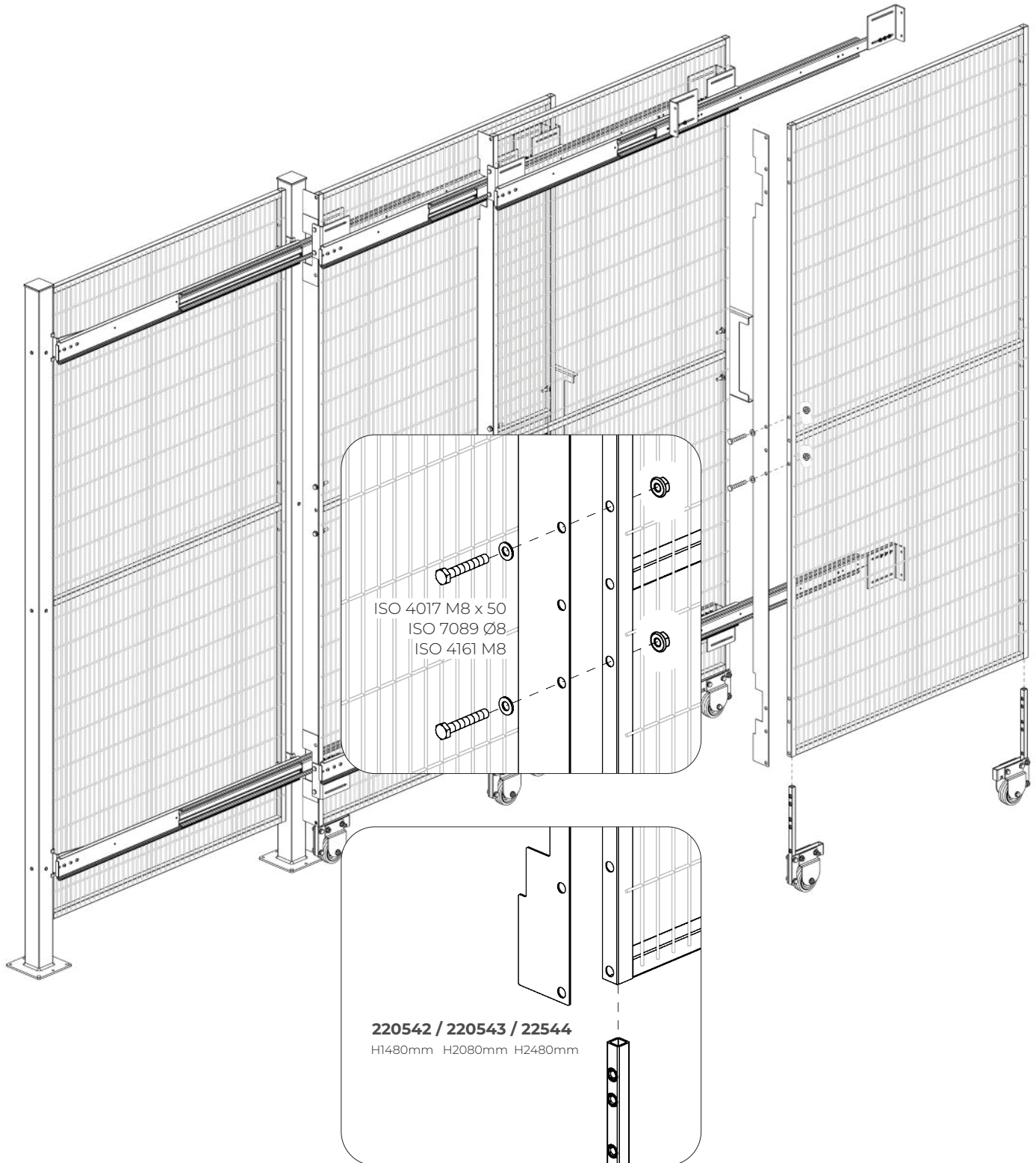


LOWER



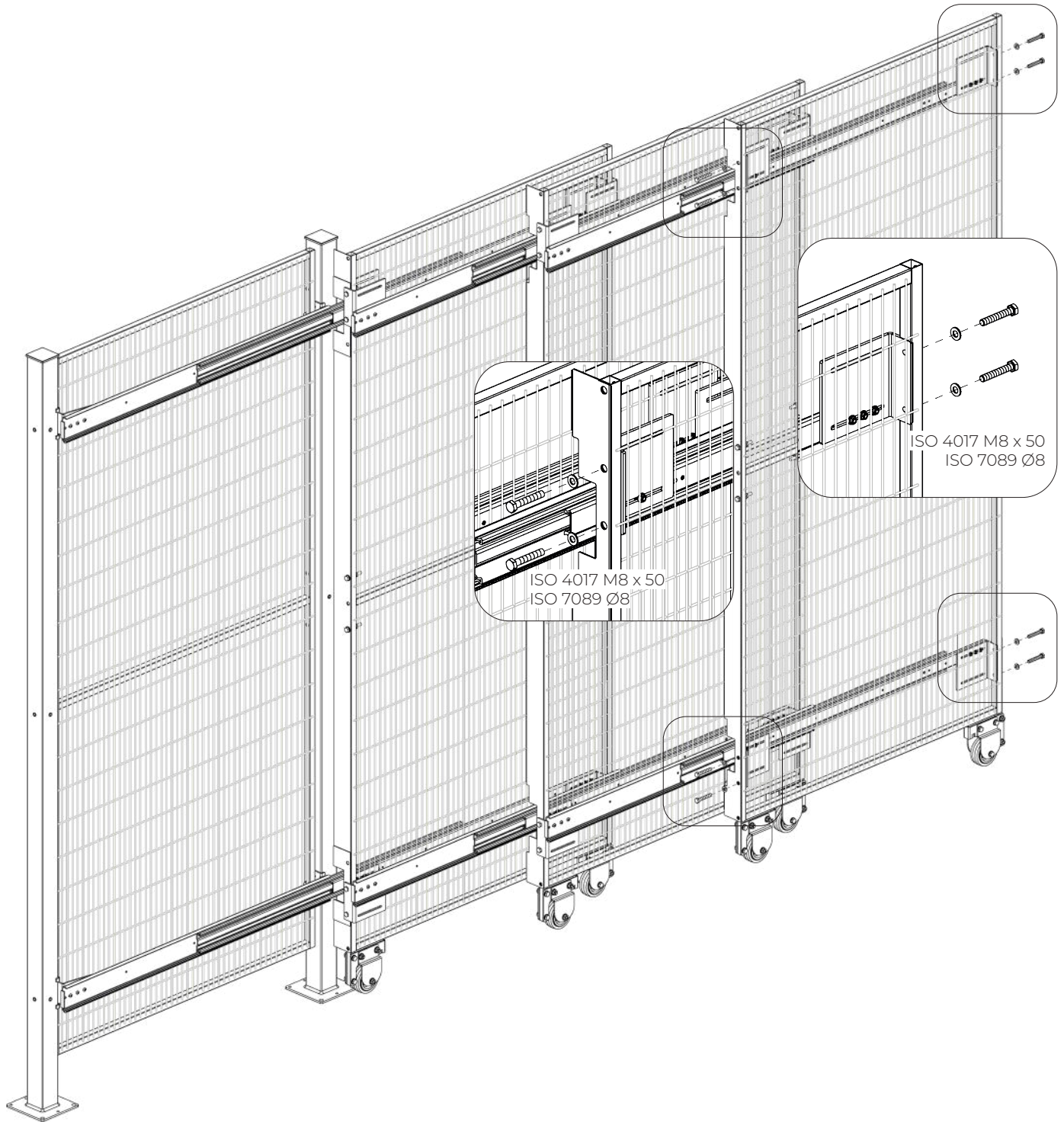
Opposed Open Passage TX Triple-Stage Sliding Door

ASSEMBLY INSTRUCTIONS



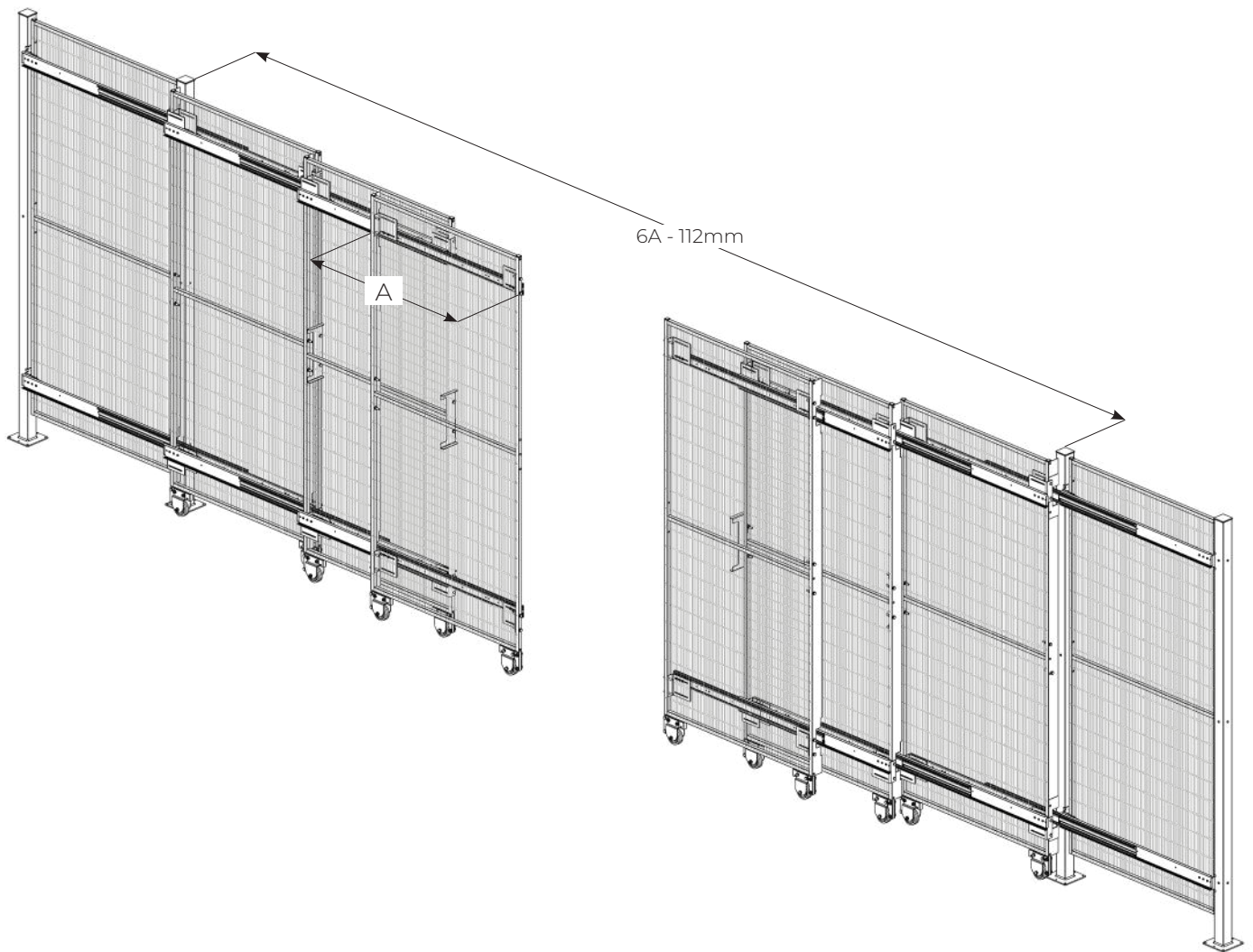
Opposed Open Passage TX Triple-Stage Sliding Door

ASSEMBLY INSTRUCTIONS



Opposed Open Passage TX Triple-Stage Sliding Door

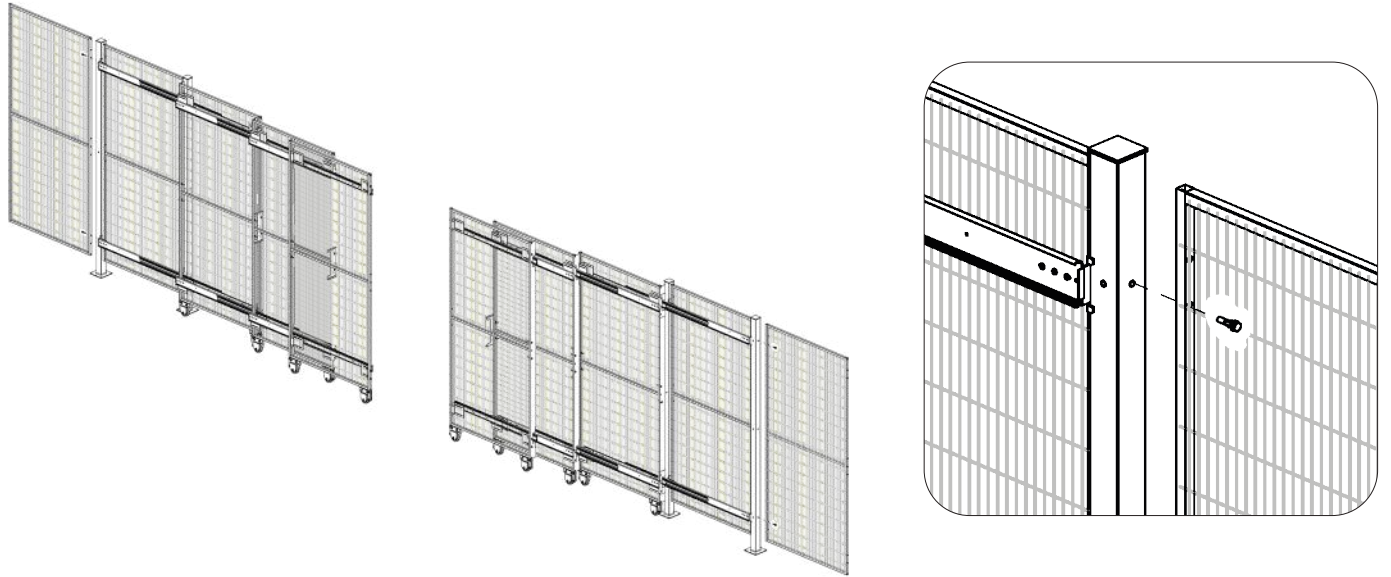
ASSEMBLY INSTRUCTIONS



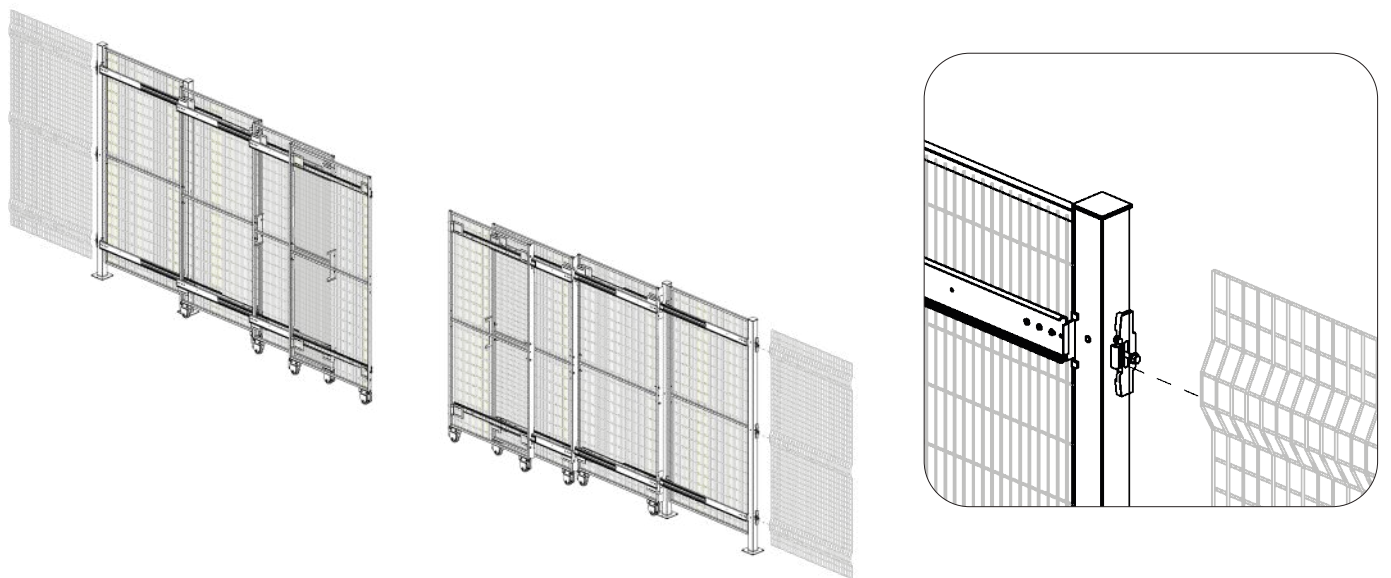
Opposed Open Passage TX Triple-Stage Sliding Door

ASSEMBLY INSTRUCTIONS - LINEAR

ImpactGuard



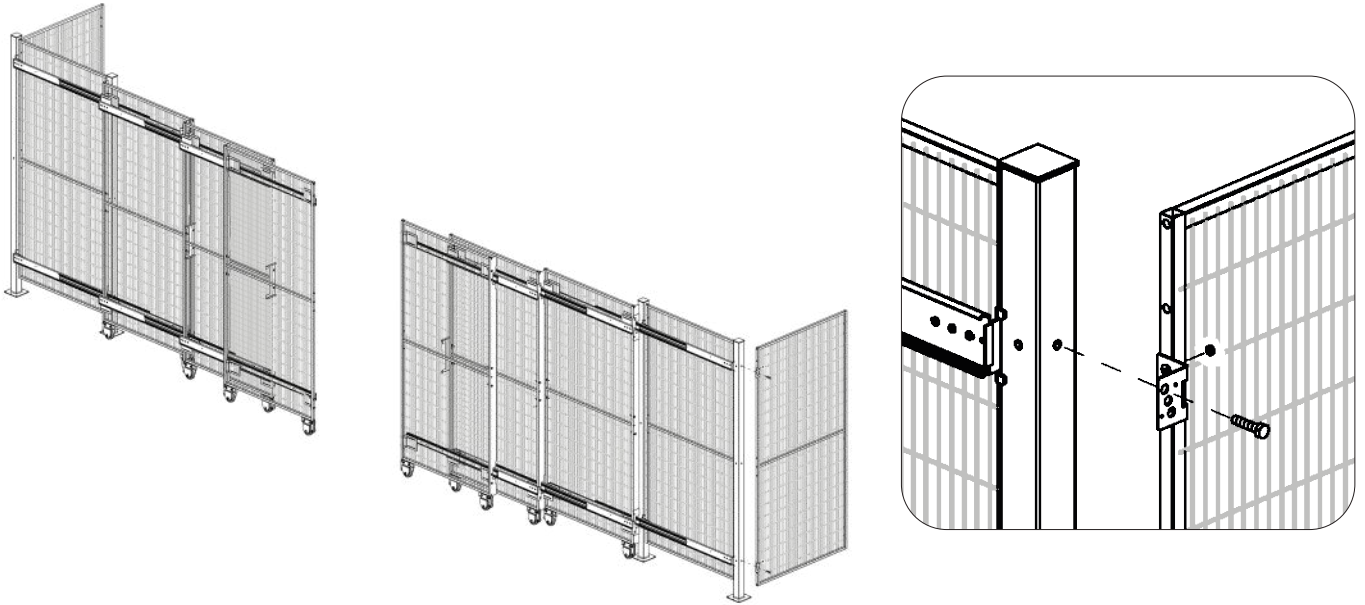
AdaptaGuard



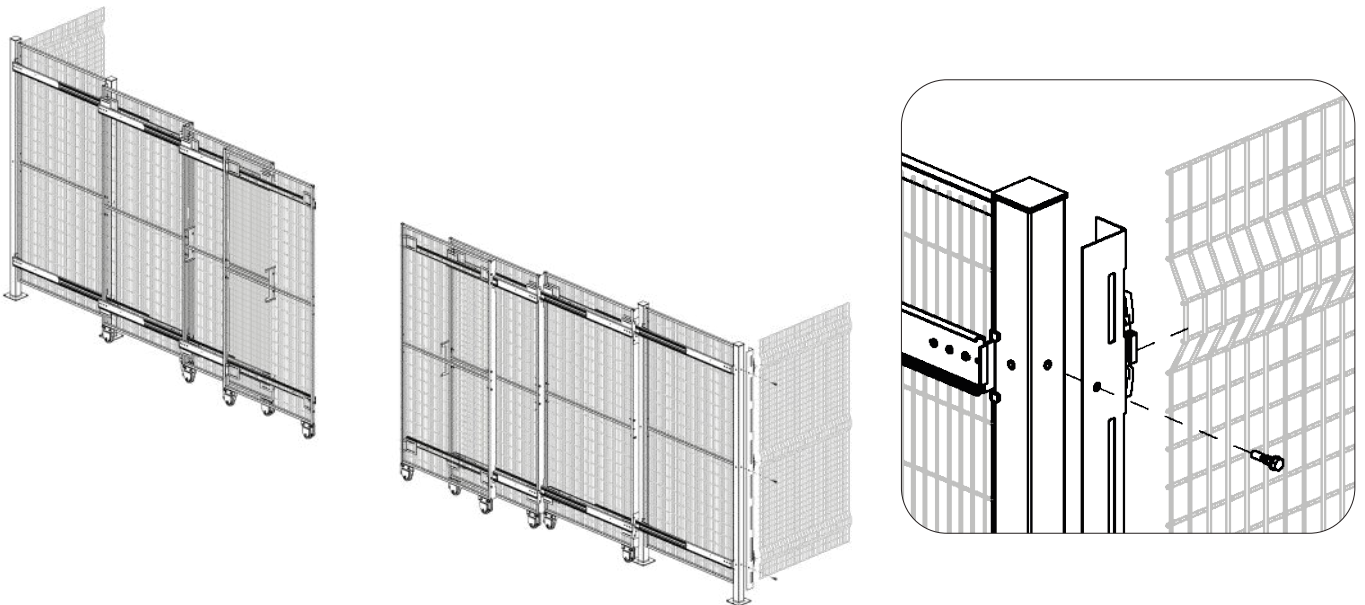
Opposed Open Passage TX Triple-Stage Sliding Door

ASSEMBLY INSTRUCTIONS - ANGULAR

ImpactGuard



AdaptaGuard



Opposed Open Passage TX Triple-Stage **Sliding Door**

NOTES

A large grid of graph paper for taking notes, consisting of 20 columns and 30 rows of small squares.

Modular Machine Guards that fit your needs.

Tailor-made solutions for the safety of operators and machinery



Protecting workers and machinery is paramount to create a safe and productive work environment. Satech Modular Machine Guards Systems, Doors and Accessories provide tailor-made solutions for any machinery layout need. **3 framed Systems, 2 frameless Systems and more than 150 Locks/Interlocks** ensure the maximum level of protection (PL) when accessing hazard areas for inspection or machinery maintenance.

Perimeter Protection Machine Safety Guards compliant with European and International Standards

Satech Machine Guards are manufactured in compliance with the **EN ISO 14120** standard, "General requirements for the design and construction of fixed and movable guards". They can be installed at a minimum distance of **120 mm from hazard** (as for EN ISO 13857), saving you plenty of layout space.

All Satech products are manufactured with **quality materials** and are highly durable. Mesh panels and other panel solutions can be easily and rapidly connected to posts (with captive retained fastenings, as for 2006/42/CE - Machinery Directive), which allows you to greatly **reduce assembly time**.

Founded in 2000, Satech was the first Italian Perimeter Guards Manufacturer. A **modern international company** today, in our 20+ years of work we have taken care of the safety of thousands of automated machinery systems and of millions of people worldwide. A **Safe Factory** is a **Productive One**.



Need help with this manual?

If you need additional specs, tips or manuals, please call our **Customer Service** at

+39 031 86230 85

SATECH
Modular Machine Guards

Satech Safety Technology SpA

Via Conte Taverna, 1
I-23892 Bulciago (LC)
Phone +39 031 86230 11



CERTIFIED
ISO 9001
ISO 14001
ISO 45001

